

# WedgeSmart™ DC Operator Order Form

Date: \_\_\_\_\_ Person completing this form: \_\_\_\_\_  
 Distributor/Dealer: \_\_\_\_\_ Contact person: \_\_\_\_\_  
 Purchase order #: \_\_\_\_\_ Contact phone: \_\_\_\_\_  
 Job Name: \_\_\_\_\_ Job site City: \_\_\_\_\_ State: \_\_\_\_\_

**1) Wedge Handing:** Operator handing is determined by STANDING ON THE ATTACK SIDE AND FACING THE ARM.

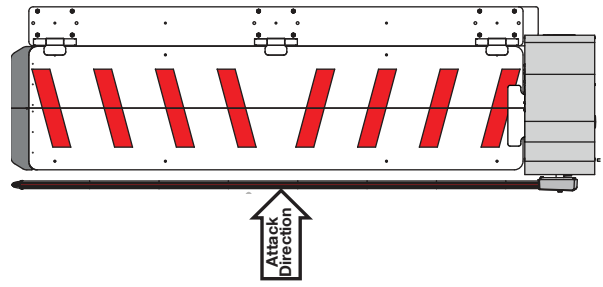
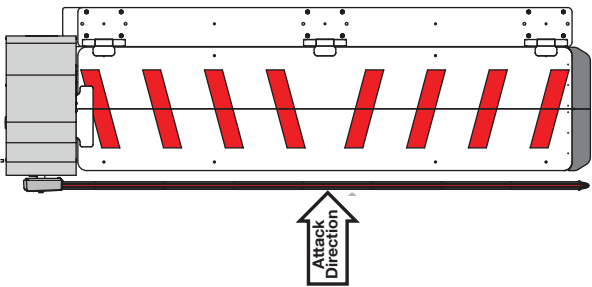
**Is it a Single Wedge?**

Yes

No **If it is a Dual Wedge check both LH & RH options below.**

Left Hand Wedge. Qty \_\_\_\_\_

Right Hand Wedge. Qty \_\_\_\_\_

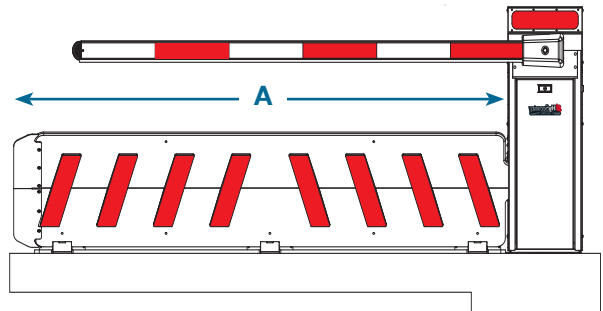
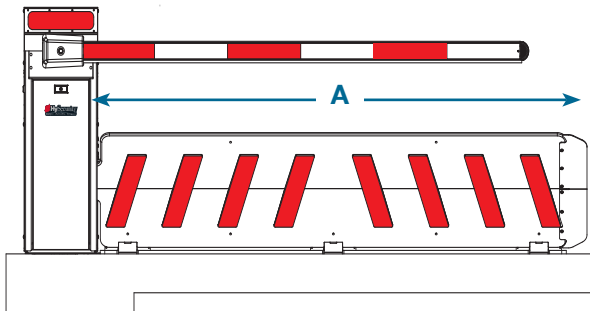


**Wedge Plate Length (A):** (Check One)

- 9 ft, 21 inch plate height (274 cm/53.3 cm height)
- 10 ft, 21 inch plate height (305 cm/53.3 cm height)
- 12 ft, 18 inch plate height (366 cm/45.7 cm height)
- 14 ft, 18 inch plate height (427 cm/45.7 cm height)

**Wedge Plate Length (A):** (Check One)

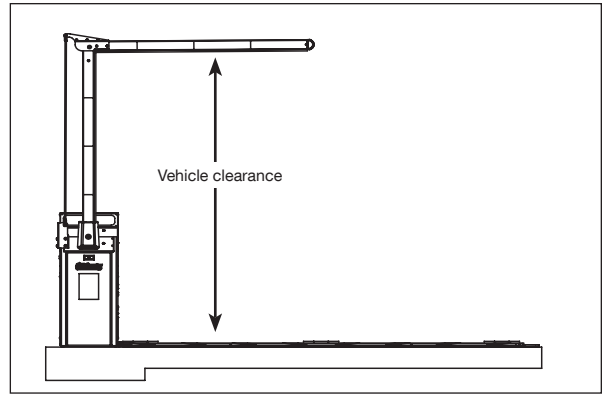
- 9 ft, 21 inch plate height (274 cm/53.3 cm height)
- 10 ft, 21 inch plate height (305 cm/53.3 cm height)
- 12 ft, 18 inch plate height (366 cm/45.7 cm height)
- 14 ft, 18 inch plate height (427 cm/45.7 cm height)



 - Indicates an additional charge. See Price Book for details.

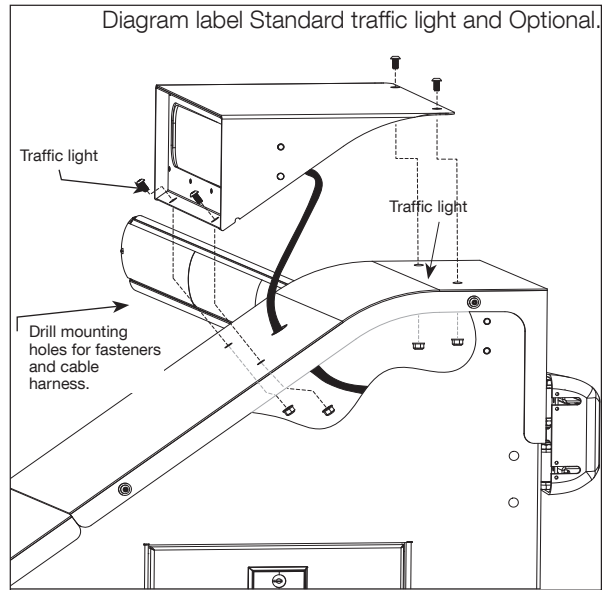
**2) Arm Type:**

- 9 ft arm (9 ft plate) Qty \_\_\_\_\_
- 10 ft arm (all other plates) Qty \_\_\_\_\_
- Articulating arm**
- 7 ft clear/8 ft extended (213 cm/244 cm) Qty \_\_\_\_\_
- 8 ft clear/10 ft extended (244 cm/305 cm) Qty \_\_\_\_\_
- 9 ft clear/10 ft extended (274 cm/335 cm) Qty \_\_\_\_\_



**3) Options:**

- Traffic Light Option**
- An additional traffic light is mounted on the chassis and is useful in bi-directional traffic situations.



**4) Installation tools and accessories:**

MX3900 Rear bracket battery shelf. Assembly required. If the operator is mounted close to a wall, the side door access may be blocked. A rear bracket battery shelf option is available. The packaged option kit (MX3900) comes equipped with mounting hardware and battery extension wires and connectors. (See illustration)

- Qty \_\_\_\_\_

MX3700 Lifting strap and eyebolt kit (For lifting and maneuvering the wedge plate during installation.)

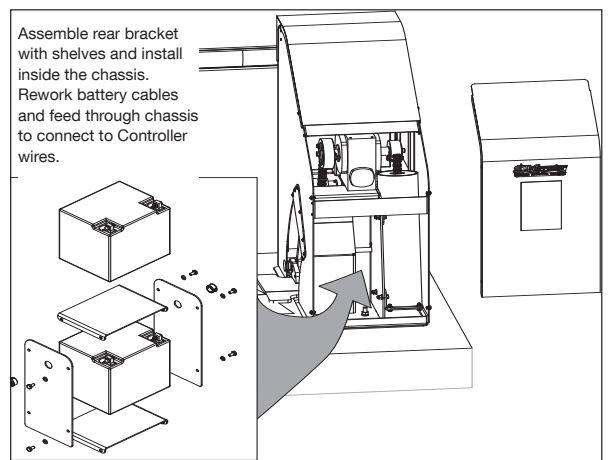
- Qty \_\_\_\_\_

MX3873 Hilti Adhesive Dispenser (Adhesive and nozzles are supplied with each operator, however the dispenser is not included.)

- Qty \_\_\_\_\_

MX3536 Wedge chassis template (One template is supplied with each operator. This extra template will be shipped ahead of the operators to assist site planning and concrete layout.) Will incur additional shipping cost.

- Qty \_\_\_\_\_



- Indicates an additional charge. See Price Book for details.

The order form must be fully completed and signed before the order will be processed. Review form to be sure all appropriate boxes were checked.

**It is the responsibility of the HySecurity Distributor/Dealer to verify that the information on this order form is accurate. As stated in the Global Sales Agreement, custom orders are non-returnable.**

Order has been reviewed and approved by:

\_\_\_\_\_  
PRINT NAME

\_\_\_\_\_  
HYSECURITY DISTRIBUTOR/DEALER

\_\_\_\_\_  
SIGNATURE

\_\_\_\_\_  
DATE