



Technical Bulletin

New 6m and 10m Encoder Cable Lengths for HydraSwing

OPERATORS: HydraSwing

DATE: 06/01/2022

SUBJECT: New 6m and 10m encoder cable lengths created per ECO# 10572.

SUBJECT DESCRIPTION: HydraSwing encoder cable length changed to 6m.

IMPACT: Customers with longer hose runs will need to buy a separate cable.

HySecurity is changing the length of the standard encoder cable. Effective 06/01/2022 all HydraSwing will ship with a 6m cable for the primary hydraulic actuator. Longer cables are available if needed.

Part numbers are as follows:

- **MX3121-02 (10m)**
- **MX3121-03 (6m)**
- **MX3121-05 (15m)**

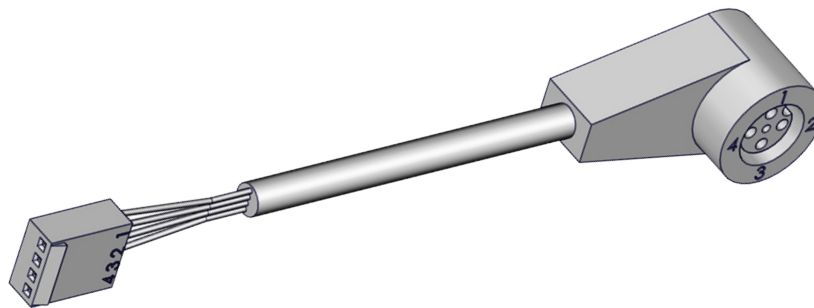


Fig-1: P/N MX3121-xx Encoder Cable

Contact Information: Visit <https://support.hysecurity.com/hc/en-us> for installation manuals, replacement part instructions, part diagrams and more. Qualified Nice | HySecurity distributors are experienced and trained to assist in resolving installation problems. For the name of a qualified distributor near you, call Nice | HySecurity at 800-321-9947. *Before contacting your distributor or Nice | HySecurity Technical Support, obtain the serial number of your operator.