



Technical Bulletin

New 6m and 10m Encoder Cable Lengths for HydraSupplyXL

OPERATORS: HydraSupplyXL

DATE: 05/31/2022

SUBJECT: New 6m and 10m encoder cable lengths created per ECO# 10572.

SUBJECT DESCRIPTION: Six and ten meter versions of the HydraSupply encoder cable have been created.

IMPACT: No impact to customer or installer.

A majority of our customers do not require a 15m cable (P/N MX3121-03), so a 6m length has been created, with an additional 10m length created in case a longer cable is required. New part numbers are as follows:

- **MX3121-02** = 10m Encoder Cable
- **MX3121-05** = 6m Encoder Cable

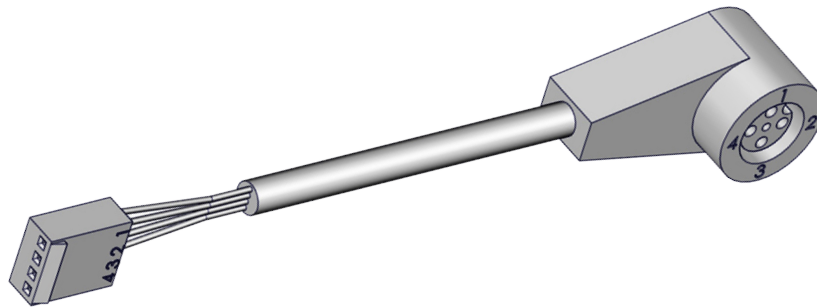


Fig-1: P/N MX3121-xx Encoder Cable

Contact Information: Visit <https://support.hysecurity.com/hc/en-us> for installation manuals, replacement part instructions, part diagrams and more. Qualified Nice | HySecurity distributors are experienced and trained to assist in resolving installation problems. For the name of a qualified distributor near you, call Nice | HySecurity at 800-321-9947. *Before contacting your distributor or Nice | HySecurity Technical Support, obtain the serial number of your operator.