

Adding Second Traffic Light (M30/M50)

The StrongArm Crash Traffic Light Option can be mounted in four different locations: two mounts exist on the Pivot post and two mounts exist on the Catch post. If you attach the traffic light to the Catch post, you will need:

- To drill through the Entrapment shield (see illustration)
- To feed additional wire through conduit to the Pivot post's Smart Touch Controller (STC) board.

Tools Needed

- Pipe wrench or large Channel Locks, Electrical tape, Needle-nose pliers
- Phillips-head screwdriver, 1/2, 9/16 & 7/16-inch box end & socket wrenches
- 1/2-inch drill bit

NOTE: Catch post mount requires additional wire.



Turn OFF power to the StrongArm operator and take the necessary precautions to avoid electrical shock.

Assemble the Traffic Light

Refer to the illustration, while you take the following steps:

1. Open the traffic light access panels and tape the spade ends of the wires.
2. Feed the wire through pipe.
3. Secure the pipe inside the traffic light access panel using the large locknuts and washers provided. Refer to the illustration.
4. Remove the Pivot post's front panel. To access the traffic light mounting holes, use a 7/16-inch socket and remove the cover plate from the chassis.
5. Feed wires through chassis and secure traffic light assembly.

Assemble the Traffic Light per the illustrations. Two different pole mounts exist.

a. Open Traffic Light access panels.

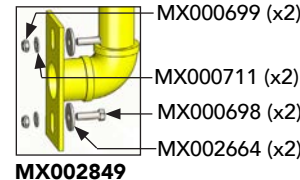
b. Unwrap and feed wires through pipe.

c. Secure pipe to Traffic Light with threaded lock nuts.

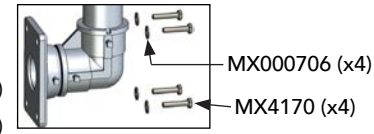
1

2

3

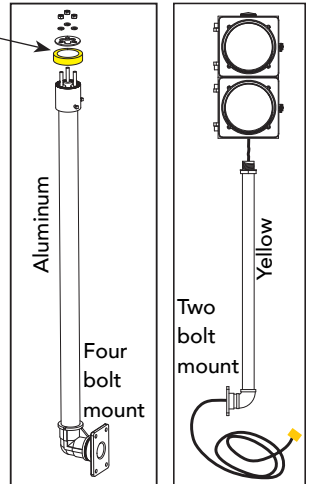


MX002849



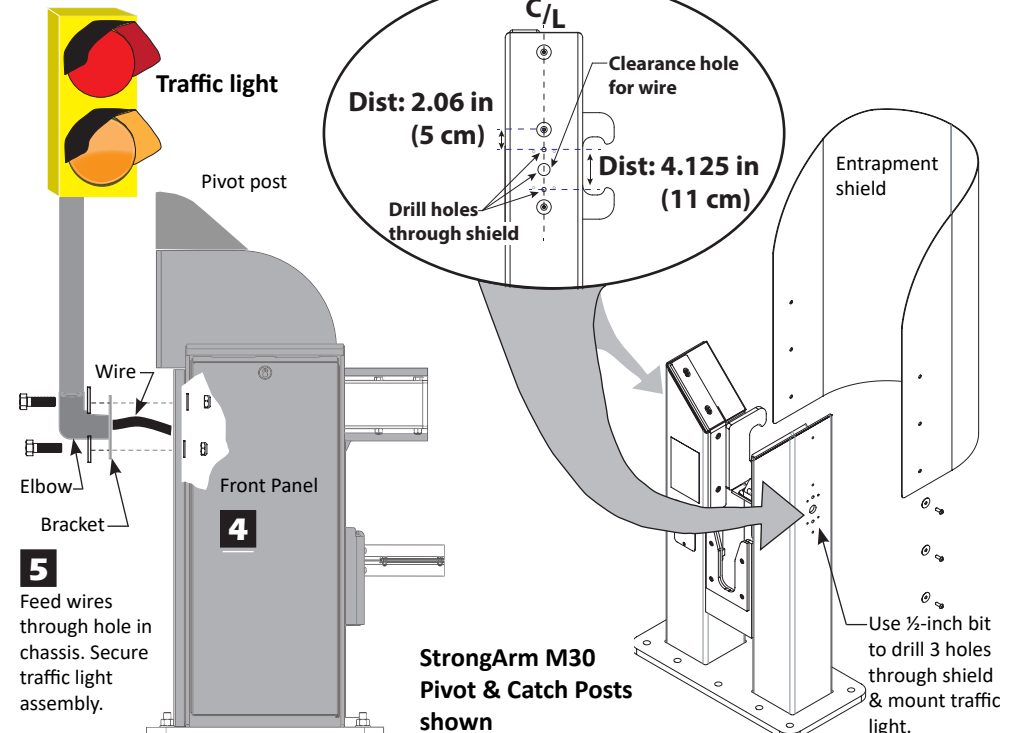
MX002608

Tri-stud washer with fasteners (3 washers & nuts)



MX002849

MX002608



Assemble the Traffic Light, continued

To connect the traffic light wires to the Smart Touch Controller (STC) board, take the following steps:

- Route the wire to the STC. Plug the bundled wires MX002646 (provided in the kit) into their matching wires coming from the STC and Power Module. Match the wire color and connect female to male (or vice versa).

NOTE: You may need to unplug the wires from the existing traffic light and reattach them to the wire harness.

- Plug the opposite ends of the wires into the matching wire harness coming from the traffic lights. One set of black, white, and red wires for one traffic light. The other set of black, white, and red wires into the other set of wires for the other traffic light.
- Neatly arrange wires and making sure all are securely fastened.
- Turn the main power to the operator ON and cycle the operator open and close to test that the traffic lights are working properly.

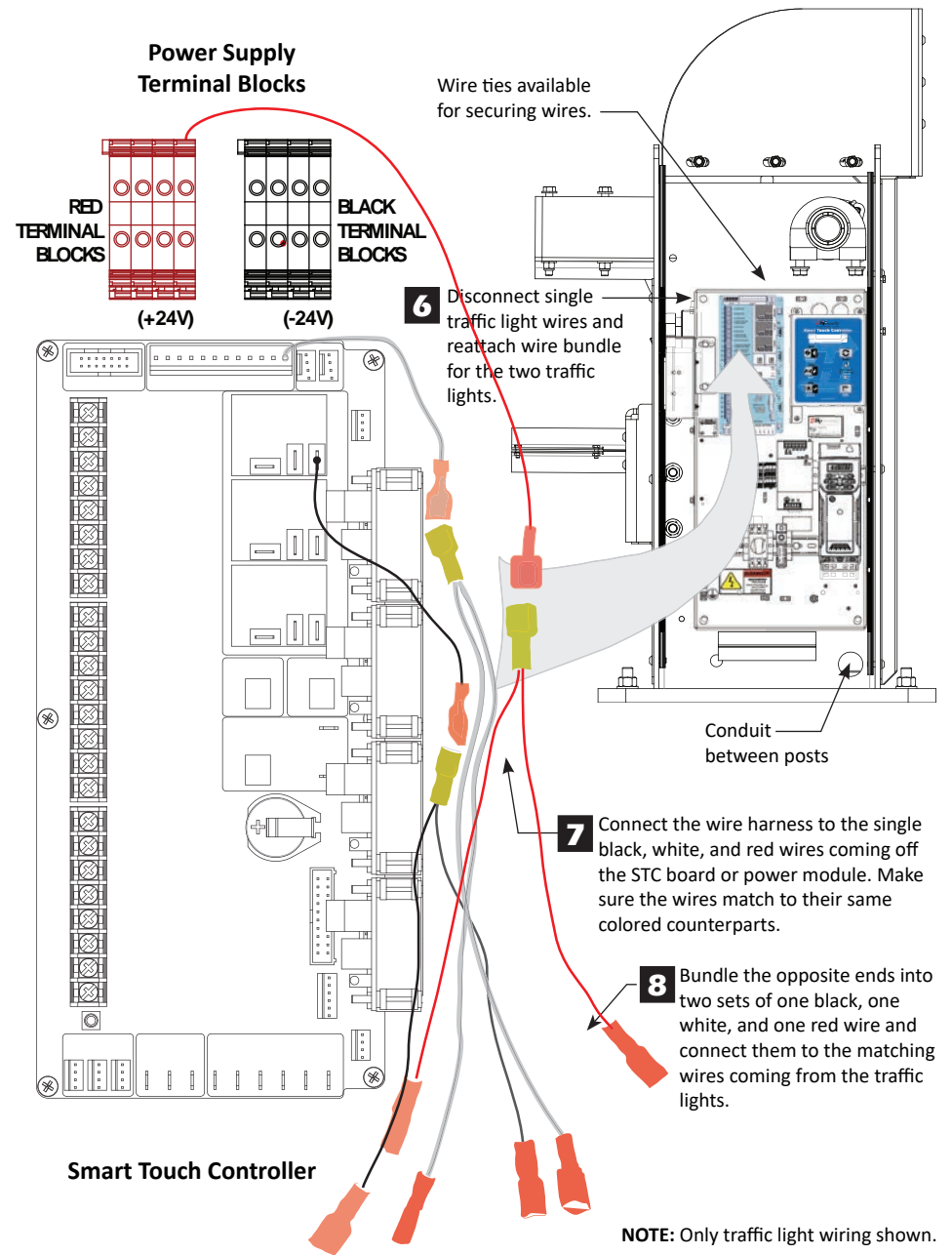
Maintenance

For maintenance or troubleshooting issues, refer to the operator's product manual. If you do not have a copy of the manual, it is available on the HySecurity website at www.hysecurity.com.

Technical Support

For Technical Support, call your installer or authorized HySecurity distributor. Obtain the serial number of your operator before calling. For the name of a distributor near you, call HySecurity at 800-321-9947.

For information about HySecurity training for installers, maintenance personnel and end users, refer to the company website at www.hysecurity.com.



Wire bundle: MX002646