

Titan 912L Actuator Limit Wheels/Cover Color Change

OPERATORS: Nice operators using the Titan 912L actuator.

DATE: 05/13/2022

SUBJECT: Color change of limit wheels and cover to orange in Titan 912L actuators.

ISSUE DESCRIPTION: Indistinct colors of previous limit wheels & cover prevented easy identification.

RESOLUTION: Limit wheels and limit wheel cover have been changed to orange color (see Fig-2).

NOTICE

Color change only. There is no change in the operation and adjustment of the limits.

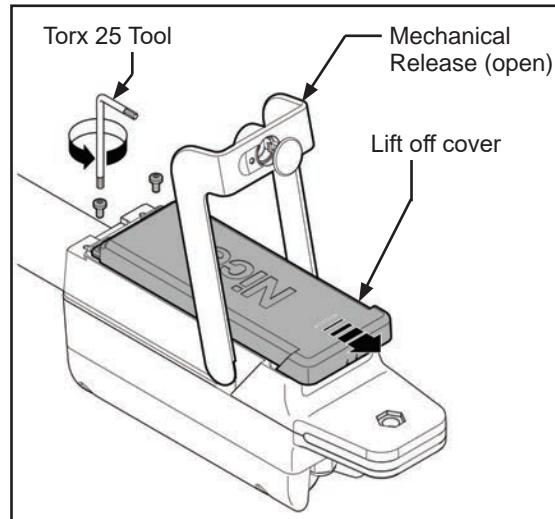


Fig-1: Opening the Titan Motor Enclosure

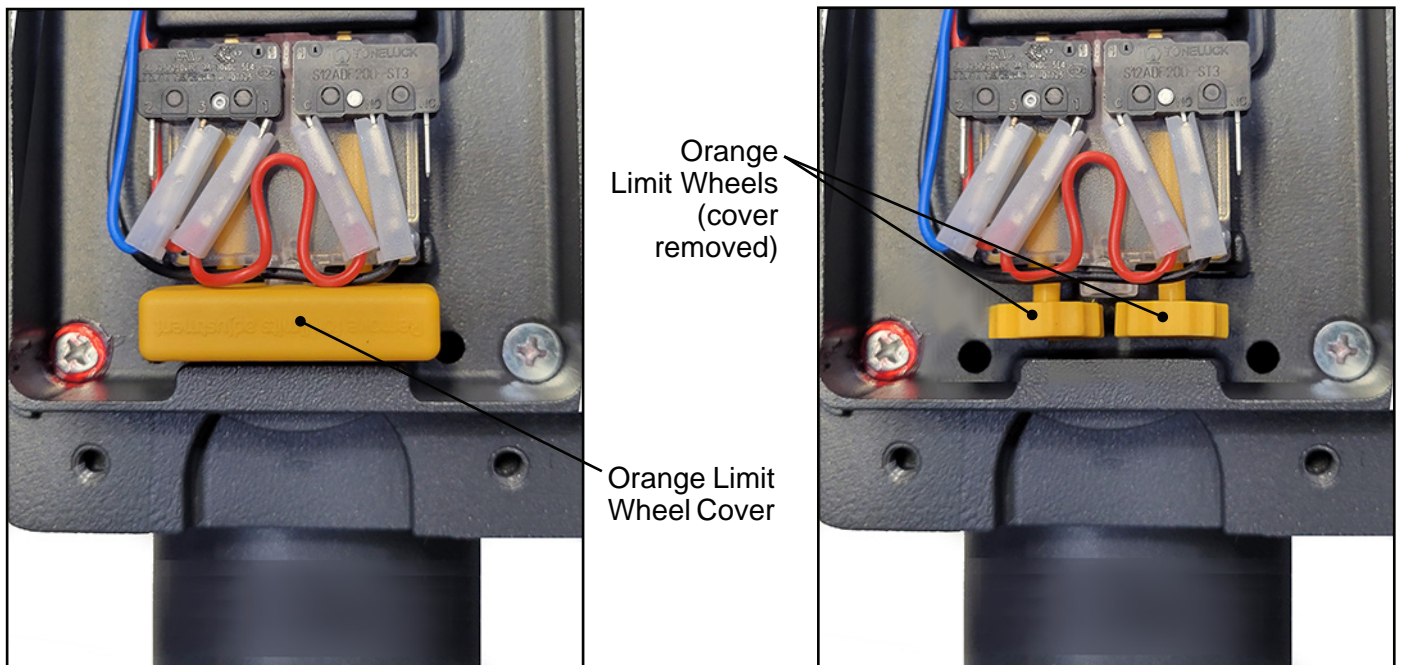


Fig-2: Limit Cover (L) and Limit Wheels (R)

Contact Information: Visit <https://support.hysecurity.com/hc/en-us> for installation manuals, replacement part instructions, part diagrams and more. Qualified HySecurity distributors are experienced and trained to assist in resolving installation problems. For the name of a qualified distributor near you, call HySecurity at 800-321-9947. *Before contacting your distributor or HySecurity Technical Support, obtain the serial number of your operator.