



Nice

Residential

# Gate Operators

Automated Gate Solutions  
Product Catalog



**All gate installations must comply with UL325 and ASTM F2200 safety standards in addition to any local area codes and standards. Site, gate hardware, usage class, and other conditions will dictate the use of additional safety designs and components.**

All safety related warnings and notices in this document, and any diagrams, drawings, photographs and similar content should not be considered guidance on how to make your particular site safe and code compliant. It is the responsibility of the gate system designer, installer and owner to assess appropriate safety design considerations, correct implementation and ongoing maintenance of any system.

This informational Product Catalog is distributed on an “as is” basis, without warranty. Every precaution has been taken in preparation of the entirety of the book. Neither the authors nor the publisher shall have any liability to any person or entity with respect to any loss or damage caused or alleged to be caused directly or indirectly by the information contained in this book.

©2026 Nice North America LLC. All rights reserved. This book may not be reproduced in whole or in part, in any way, shape, or form, by electronic or mechanical means, including information storage and retrieval systems without written permission from Nice Nice North America LLC, except in the case of an active, authorized Nice | HySecurity Reseller copying drawings, operator or part descriptions, and order forms exclusively for Nice | HySecurity product sales purposes.

# Nice Residential Gate Operators Catalog

## Contents

Juno .....	8	PRO-SW3000/3200XLS Parts Diagram .....	43
GPX-SL25 .....	12	PRO-SW4000/4200XLS Parts Diagram .....	45
PRO-SW3000XLS PRO-SW4000XLS .....	16	Apollo Linear Actuator Parts Diagram .....	47
Apollo Linear Actuator .....	20	TITAN Linear Actuator Parts Diagram .....	48
TITAN Linear Actuator .....	26	Vanguard 3501 Swing Parts Diagram .....	49
Vanguard 3501 Swing .....	32	CBOX with Mercury 310 Controller .....	50
Juno Parts Diagram .....	39	ACBOX Parts Diagram .....	51
PRO-SL2000B/SL2200B Parts Diagram .....	41		
7251/7351 Slide Parts Diagram .....	42		

All specifications are subject to change without notice. **PDF available online at [hysecurity.com](http://hysecurity.com) or contact your distributor.**  
[partners.hysecurity.com/extranet/](http://partners.hysecurity.com/extranet/)

Warranty: [hysecurity.com/warranty](http://hysecurity.com/warranty)

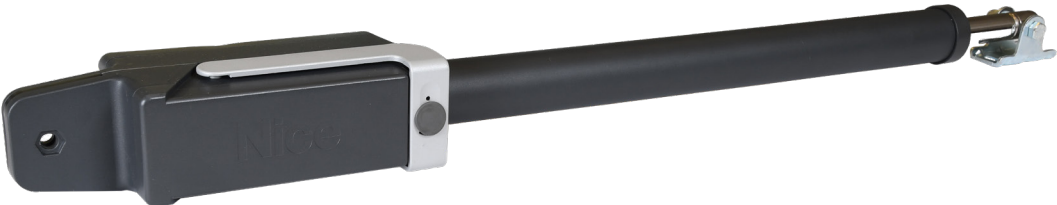


# Why Nice?

Nice is a worldwide recognized industry leader of automated gate and perimeter security solutions.

The Nice brand features residential and commercial gate operators, from elegant linear actuators to refined swing and slide gate operators.

# Residential Gate Operators Product Catalog



Nice

# View the latest parts diagrams from anywhere.

- Quick search results by operator
- Easy to find part diagrams and part numbers
- Always updated
- Available digitally anywhere
- Download and print materials as needed

## Vanguard 3501 Swing

### CHBOX35 Motor Chassis and ABOX35 Arm Assembly

This drawing is a representation and should be used for parts reference only.

Part Name	Part Number
Arm Assembly	ABOX35
Arm Assembly, Adjuster	10021790
Bracket, Gate Attach Kit	10021290
Bracket, Post Mount	10038315
Chain, #50	MX5622
Chassis Assembly, 3501	CHBOX35
Collar and Magnet	10021490
Cover, Plastic	MX4774
Motor Assembly	MX5420
Motor Assembly (retrofit kit for units with 1050US controller)	MX5421
Limit Block Assembly	10058890
Sprocket	MX5624
Terminal Block	TB-8
Toggle Switch	10024290
Torque Limiter	10040690

Residential Gate Product Catalog 63

Parts Diagrams are located at the back of this book as an addendum. Diagrams and support material can also be found on the Nice | HySecurity Support Center. <https://support.hysecurity.com>

Nice | HySecurity Support Center

Submit support request Sign in

Q: Appl

Swing Gate / Apollo 816

- Brochures and Spec Sheets, Operator
- Manuals, Operator
- Part

- Apollo Linear Actuator Spec Sheet
- Apollo 1500 Linear Actuator System (816 arm & 636 Control Board) Installation Reference Manual
- Apollo 816 Linear Actuator Installation Reference Manual
- Apollo 816 Linear Actuator 120 Degree Install Instructions
- Apollo 816 Linear Actuator Part Diagrams

Swing Gate Vertical Lift

Can't find what you're looking for?

Contact the Nice | HySecurity Technical Support Team.

253-201-2918 Submit support request Email Support Email Sales

Nice | HySecurity Support Center Back to Our Main Site Nice | HySecurity



# Slide Gate Operators

<b>Juno .....</b>	<b>8</b>
Juno Models.....	10
Juno Parts and Accessories.....	10
<b>GPX-SL25 .....</b>	<b>12</b>
GPX-SL25 Model.....	13
GPX-SL25 Parts and Accessories.....	13

## Juno

Compact modern design, dependable operation.

Powerful motor moves gates up to 800lbs

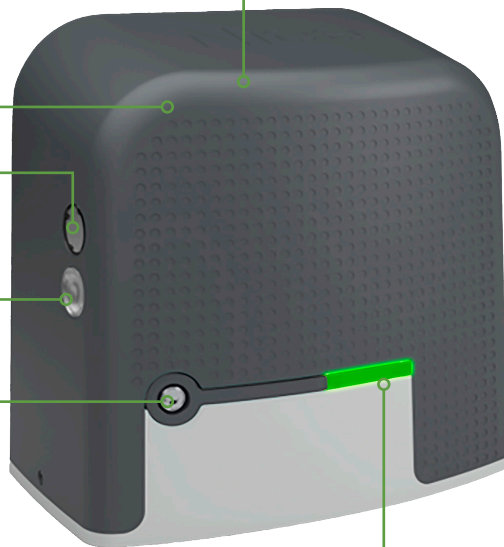
Durable UV stabilized enclosure

Internally mounted photo eye

Driveway light offers visibility while in motion and stays on for 20 seconds after reaching the open or close limit

Lockable manual release for security and convenience

Red/Green status indicator lets you know when the gate is opening or closing



**Powerful:** Move gates up to 800 lbs and 40 ft long.



**Quiet:** Soft-start and soft-stop for smooth gate operation.



**Capable:** Simple, powerful, and efficient Mercury 310 controller.



**Flexible:** AC or Solar power options.



**Sleek:** Integrated photo eye and driveway light.



**Secure:** Lockable front-mounted manual release.



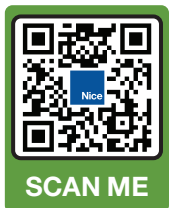
**Attractive:** Modern enclosure design suits residential environments.



**Reliable:** Battery power ensures operation even in power outages.



**Configurable:** Adjustable slowdown points can be set with the easy to program Mercury 310 Controller



## Mercury 310 Controller



- Simple to setup controller parameters – no special programming needed
- Solar-ready with integrated battery charger and MPP technology
- One-step firmware update process
- Very low standby current maximizes battery life in solar installations
- Built-in UL 325 Type C entrapment protection for added safety\*\*

### Technical Specifications

Model	Juno 310 AC	Juno 310 Solar
Battery Included	(1) 8Ah battery	(2) 8Ah batteries (14Ah total)
Duty Cycle	Continuous duty	
Drive	Electromechanical	
Rate of Travel	1 ft/sec (30 cm/s)	
Gate Length Max.	40 ft (12m)	
Gate Weight Max.	800 lb (362 kg)	
Temperature Rating	-4° to 122° F (-20° to 50° C)	
Operating Voltage	12VDC	
Input Voltage	120v AC Input	12v rated solar panel†
Idle Current	10mA	
Accessory Power	Regulated 12V 500mA always on (2 locations); Regulated 12V 500mA standby off (2 locations)	
Included Accessories	OXIMGC/A receiver, (2) MTS3 transmitters, (1) BlueBUS reflective photo eye, (1) internally mounted BlueBUS reflective photo eye and light. 30' #40 corrosion-resistant chain.	
Communication	BlueBUS, USB port, OXI	
User Controls	Mercury 310 Controller	
Enclosure	17.2" w x 16" h x 10.8" d (43.8 w x 40.8 h x 27.5 d cm)	
Finish	Molded UV stabilized, durable cover	
ETL Listed (UL 325)	Usage Class I, II	
Warranty	3 year w/product registration	

†If the operator is AC powered, the battery, (included, but not required) if present, will be a backup for when AC power is lost. If the operator is solar powered, a 12V solar panel is required. The Juno 310 Solar model comes with (2) 8Ah batteries. Depending on the number of connected accessories, cycles per day and number of sunlight hours per day, an additional battery may be required to meet your solar application needs.

\*\*A minimum of one monitored entrapment protection device in each direction is required by UL325 for all slide gate operators. The installer is required to ensure all UL325 and ASTM2656 requirements are met.

†max OCV = 30VDC, Vmpp = 16-20v  
The Mercury 310 controller is equipped with an internal battery charger.



## Juno Models

Model	Part number	Description	Weight (lbs)	Dimensions	Freight Class
Juno 310 AC	<b>O-Juno 310 AC</b>	AC, Mercury 310 controller	70 lbs	17"w x 11"d x 16"h	70
Juno 310 Solar	<b>O-Juno 310 Solar</b>	Solar, Mercury 310 controller	75 lbs	17"w x 11"d x 16"h	70

## Juno Parts and Accessories

Part Name	Part Number	Description
Anchor Kit	<b>MX5805</b>	Juno anchor hardware kit
Antenna, Directional, 433.92 MHz	<b>ABF/A</b>	Adjustable whip antenna with mounting bracket, removable terminal block and 10 ft coaxial cable for Nice 433.92 MHz receivers.
Battery, 8Ah	<b>MX000909</b>	Single 8Ah battery
Battery Kit, External, 35Ah	<b>MX5570-35</b>	35Ah external battery kit assembly with enclosure
Battery Kit, External, 70Ah	<b>MX5570-70</b>	70Ah external battery kit assembly with enclosure
Chain #40, 35 ft	<b>72520001</b>	Chain #40, 35 ft, with 2 Master Links.
Controller, Mercury 310	<b>MX4920</b>	Mercury 310 controller, UL325 7th Edition Compliant
Cover, Assembly, Juno	<b>MX5733</b>	Juno cover assembly
Detector, Probe, 12V	<b>217</b>	Exit probe kit, 12V, includes probe and controller.
Edge Channel, 10 ft	<b>MX4219-03</b>	Aluminum channel, mounts low and high profile edge sensors, 10 ft.
Edge Channel, 5 ft	<b>MX4219-02</b>	Aluminum channel, mounts low and high profile edge sensors, 5 ft.
Edge Sensor Assembly, Channel Mount, High Profile	<b>AS1502-0440-05</b>	High profile channel mount ASO edge sensor, preassembled with end caps and aluminum mounting channel, 5 ft, 1 x 1.75 inch (1.5 m, 25 x 45 mm).
Edge Sensor Assembly, Channel Mount, Low Profile	<b>AS1502-0430-05</b>	Low profile channel mount ASO edge sensor, preassembled with end caps and aluminum mounting channel, 5 ft, 1 x 1.25 inch (1.5 m, 25 x 30 mm).
Edge Sensor Assembly, Wraparound, Round	<b>AS1501-0760</b>	Round ASO wraparound edge sensor for use on 2 inch diameter pole. Three contact surfaces for sensing contact in any direction. 5 ft x 2 inch (1.5 m x 51 mm).
Edge Sensor Assembly, Wraparound, Square	<b>AS1501-0790</b>	Square ASO wraparound edge sensor for use on 2 inch square pole. Three contact surfaces for sensing contact in any direction. 5 ft x 2 inch (1.5 m x 51 mm).

## Juno Parts and Accessories

Part Name	Part Number	Description
Edge Sensor Roll, Channel Mount, High Profile, 82 ft	<b>AS1502-0440</b>	High profile channel mount ASO edge sensor, 82 ft roll x 1 x 1.75 inch (25 m x 25 x 45 mm) Used to create custom length edge sensors. Purchase channel and two end cap types to complete system.
Edge Sensor Roll, Channel Mount, Low Profile, 82 ft	<b>AS1502-0430</b>	Low profile channel mount ASO edge sensor, 82 ft roll x 1 x 1.25 inch (25 m x 25 x 30 mm). Used to create custom length edge sensors. Purchase channel and two end cap types to complete system.
End Cap, Edge, High Profile, 10k	<b>AS1804-1630</b>	Replacement end cap for high profile ASO edge sensor, with 10k resistive termination, 1 x 1.75 inch (25 x 44 mm).
End Cap, Edge, High Profile, No Resistor	<b>AS1804-0490</b>	Replacement end cap for ASO edge sensor without resistive termination to make a non-monitored edge to function with pre-2016 operators, 1 x 1.75 inch (25 x 44 mm).
End Cap, Edge, High Profile, Wire Leads	<b>AS1804-0650</b>	Replacement end cap for high profile ASO edge sensor, with wire leads, 1 x 1.75 inch (25 x 44 mm).
End Cap, Edge, Low Profile, 10K	<b>AS1804-1620</b>	Replacement end cap for low profile ASO edge sensor, with 10k resistive termination, 1 x 1.25 inch (25 x 32 mm).
End Cap, Edge, Low Profile, No Resistor	<b>AS1804-0480</b>	Replacement end cap for ASO edge sensor without resistive termination to make a non-monitored edge to function with pre-2016 operators, 1 x 1.25 inch (25 x 32 mm).
End Cap, Edge, Low Profile, Wire Leads	<b>AS1804-0640</b>	Replacement end cap for low profile ASO edge sensor, with wire leads, 1 x 1.25 inch (25 x 32 mm).
Idler, Assembly, Juno	<b>MX4280</b>	Idler assembly. Includes (2) idlers.
Keypad, wired	<b>ACP00748</b>	Linear AK-11 Access Keypad.
Keypad, Exterior, MegaCode, Wireless	<b>ACP00878</b>	Wireless MegaCode MDKP keypad.
Lock Assembly, Juno	<b>CM005</b>	Lock and key assembly for Juno
Magnet, Target Assembly, Juno	<b>MX4430</b>	Target magnet assembly for slide gate operators
Motor Assembly, Juno	<b>MX5732</b>	Motor assembly for Juno operator
Mounting Kit, Post, Juno	<b>MX5710</b>	Post mount kit for Juno operator
Mounting Kit, Base Riser, Juno	<b>MX5583</b>	4" Base riser kit for Juno operator
Photo Eye w/BlueBUS, Reflective, Adjustable, Medium	<b>EPMORB/A</b>	Reflective photo eye with Nice BlueBUS communications technology. Adjustable optics are positionable to 30° in large size housing. Requires BlueBUS enabled controller. For use with Mercury 310/1050/XBA3/BCU1 and SmartCNX, SmartTouch725 controllers.

## Juno Parts and Accessories

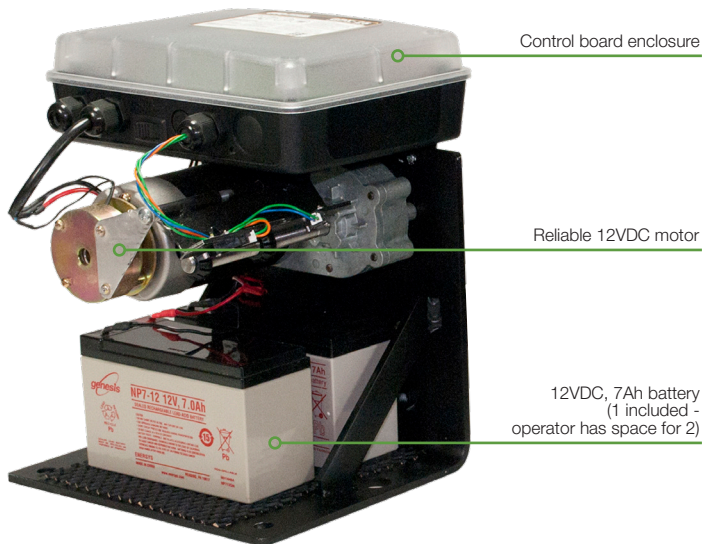
Part Name	Part Number	Description
Photo Eye w/BlueBUS, Through-Beam, Adjustable	<b>EPMOB/A</b>	Through-beam photo eye with Nice BlueBUS communications technology. Adjustable optics are positionable to 30° in medium size housing. Requires BlueBUS enabled controller. For use with the 1050/XBA3/BCU1/SmartCNX, SmartTouch 725 and Mercury 310 controllers.
Photo Eye w/BlueBUS, Through-Beam, Adjustable, Large	<b>EPLOB/A</b>	Through-beam photo eye with Nice BlueBUS communications technology. Adjustable optics are positionable to 30° in large size housing. Requires BlueBUS enabled controller. For use with the 1050/XBA3/BCU1, SmartCNX, SmartTouch 725 and Mercury 310 Controllers.
Photo Eye w/BlueBUS, Through-Beam, Non-Adjustable	<b>EPMB/A</b>	Through-beam photo eye with Nice BlueBUS communications technology and medium size housing. Requires BlueBUS enabled controller. For use with the 1050/XBA3/BCU1, SmartCNX, SmartTouch725 and Mercury310 Controllers.
Photo Eye w/BlueBUS, Through-Beam, Non-Adjustable, Metal	<b>EPMAB/A</b>	Through-beam photo eye with Nice BlueBUS communications technology and solid, durable, medium size cast metal alloy housing. Requires BlueBUS enabled controller. For use with the 1050/XBA3/BCU1/SmartCNX, SmartTouch 725 and Mercury 310 controllers.
Plate, Foundation, Juno	<b>PD2349A0000</b>	Foundation plate for Juno
Receiver, OXI, Long Range with LoRa Technology	<b>OXILR/A</b>	OXI bi-directional long range receiver, 433.92 MHz, 1024 codes with LoRa Technology, red facia.
Receiver, OXI, MegaCode	<b>OXIMGC/A</b>	OXI MegaCode 318MHz receiver. Compatible with HomeLink.
RTE Unit, wireless, button	<b>MX5152</b>	Remote exit button, for use with gooseneck stand on secure side of a gate.
Signs, Moving Gate Warning, English	<b>MX3193-01</b>	Two UL 325 moving gate warning signs, English, 8.5 x 11 inch aluminum, includes 8 zip ties.
Solar Charge Regulator	<b>SG-4</b>	Solar charge regulator for 12V solar arrays up to 60W.
Solar Panel, 12V 5W, w/Mounting Bracket	<b>201</b>	Solar Panel, 12V 5W, includes mounting bracket.
Solar Panel, 12V 10W, w/Mounting Bracket	<b>210</b>	Solar Panel, 12V 10W, includes mounting bracket.
Solar Panel, 12V 20W, w/Mounting Bracket	<b>212</b>	Solar panel, 12V 20W, includes mounting bracket.
Solar Panel, Bracket, Mounting, 30W - 60W	<b>10046890</b>	Mounting bracket for 12V 30W to 60W solar panels.
Solar Panel, Bracket, Mounting, 5W - 20W	<b>208</b>	Mounting bracket for 12V 5W to 20W solar panels.

## Juno Parts and Accessories

Part Name	Part Number	Description
Sprocket, Drive, #40 Chain, 22 Tooth	<b>MX5338</b>	Drive sprocket, #40 Chain, 22 Tooth with Keyway, for Juno.
Transmitter, MegaCode, 1-button	<b>DNT00091</b>	1-button MTS3 MegaCode visor transmitter.
Transmitter, MegaCode, 3-button	<b>DNT00093</b>	3-button MTS3 MegaCode visor transmitter.
Transmitter, Remote, Era One, Bi-Directional Long Range, LoRa	<b>ON3ELR/A</b>	Era One bi-directional long range remote transmitter with LoRa technology, 433.92 MHz, red facia.
Transmitter-Receiver Kit, LoRa Technology	<b>ONELRKIT/A</b>	Includes 2 Era One bi-directional long range transmitters (ON3ELR/A), 1 OXI bi-directional receiver (OXILR/A), and 1 relay adapter (OX2UBP) to use with non-OXI port controllers.

## GPX-SL25

**Dependable Safety.** For use with gates up to 24 ft and 650 lbs.



**Dimensions:** Height: 12.5", Depth: 12", Width: 10.5".



**Shipping Weight:** 50 lbs. (22.7 kg) Meets UPS shipping standards.



**Class of Operation:** Class I.



**Solar Power:** Second battery recommended (not included). 10-watt Solar Panel (SOLAR10).



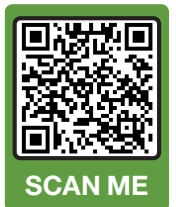
**Safety Listings:** System Certified with UL325 7th Edition safety standards, ETL listed.



**Warranty:** 2 Years (Residential application).



**Optional Post Mount Adapter or Adjustable Pad Mount Adapter:**  
Post Mount Adapter requires R4983.  
Pad Mount Adapter (R4984) raises operator 6" to 10" above existing concrete pad.



## GPX-SL25 Model

Model	Part number	Weight (lbs)	Dimensions	Freight Class
GPX-SL25	<b>GPX-SL25</b>	46	18"w x 12.5"d x 14"h	70

### FEATURES

- Full systems capable "add on ready" heavy-duty control board includes adjustable obstruction sensing, gate sequencing and auto close settings (OFF and 3–120 seconds)
- Includes a built-in internal friction disc brake/lock
- Optional post mount adapter available (R4983 - not included)
- Chain disconnect for manual operation
- Rated for up to 100 cycles daily for residential applications

### MECHANICAL

- Operating temp: -5 F (-21C) to +160 F (71 C)
- Opening time: 1 ft. (.31 m) per second maximum
- 25 ft. of #41 chain with master link
- Fully compatible accessory terminal block provides connections for safety loops, exit wands, keypads, card readers, phone systems, etc.
- Operation, diagnostic and safety alarms
- Inherent obstruction sensing

### ELECTRICAL/POWER

- 12 VDC / 7.0 amp hour, sealed, rechargeable battery (included)
- Battery charge is maintained by regulator on control board
- Powered by a reliable 12VDC (1/4HP), case hardened steel gear reducer
- "Sleep draw" is 40 mA; "active draw" is 2 to 9 amps

### SUGGESTED ACCESSORIES

- Wireless Vehicle Sensor (R4500)
- Solar Panel (SOLAR10)
- Transmitters (RB741/RB742)
- Digital Keypad (F310)

## GPX-SL25 Parts and Accessories

Part Name	Part Number	Description
Battery, 7Ah	<b>2500-1118</b>	Single 7Ah replacement battery.
Button, Unlit	<b>RB101</b>	Push button for open/close/stop operation of gate opener; up to 1000' with 16 gauge wire.
Gooseneck, Pedestal	<b>FM100</b>	Aluminum mounting post for access control devices.
Intercom, Residential	<b>F6100MBC</b>	Residential intercom system with keypad and indoor base station.
Keypad, Wireless	<b>F310</b>	Wireless keypad with 25 code capacity; Powered by (3) AA batteries (not included).
Limit Switch, Kit	<b>R4065</b>	Limit switch kit for GPX-SL25 (Includes switches, hardware and PCB).
Lock, Pin	<b>FM133</b>	Substitute front mount clevis pin with pin lock to prevent operator tampering and theft.
Mount, Pad, Adapter Plate	<b>R4984</b>	Galvanized adjustable pad mount adapter mount.
Mount, Post, Adapter Plate	<b>R4983</b>	30" galvanized post mount adapter mount.
PCB, 2016	<b>R5211-02</b>	PCB for GPX-SL25, post 2016.
Photo Eyes, Through Beam	<b>R4222</b>	Through beam photo eye for non-contact entrapment protection.
Receiver, Universal	<b>RB709U-NB</b>	Receiver connects to any brand gate or garage door opener; up to 100' range.
Sensor, Vehicle, Wireless	<b>R4500</b>	Wireless vehicle sensor to open gate; 100' range between transmitter and receiver.
Sensor, Vehicle, Wired	<b>FM139</b>	50' driveway vehicle sensor to open gate; Also available in 100' and 150'.
Solar Panel, 12V 10W	<b>SOLAR10</b>	12V 10W solar panel.
Transformer, 18V	<b>RB570</b>	Replacement transformer to maintain battery charge; 18V 2200mA.
Transmitter, Remote, keychain, 1-button	<b>RB741</b>	1-button transmitter; For use with RB709U-NB universal receiver.
Transmitter, Remote, keychain, 2-button	<b>RB742</b>	2-button transmitter; For use with RB709U-NB universal receiver.
Wire, Low Voltage	<b>RB509-100</b>	100' roll 16 gauge, stranded, dual conductor low voltage wire; UV treated, PVC coated.

PRO-SW4000XLS



Titan



Apollo



Vanguard 3501



# Swing Gate Operators

<b>PRO-SW3000XLS</b>	
<b>PRO-SW4000XLS</b> .....	<b>16</b>
Technical Specifications .....	17
PRO-SW3000XLS Models .....	17
PRO-SW4000XLS Models .....	17
PRO-SW3000XLS/PRO-SW3200XLS Parts and Accessories .....	17
PRO-SW4000XLS/PRO-SW4200XLS Parts and Accessories .....	18
<b>Apollo Linear Actuator</b> .....	<b>20</b>
Apollo Linear Actuator Models and Package Options .....	22
Apollo Linear Actuator Control Box Options .....	23
Apollo Linear Actuator Parts and Accessories.....	23
<b>TITAN Linear Actuator</b> .....	<b>26</b>
TITAN Linear Actuator Models and Package Options.....	28
TITAN Linear Actuator Control Box Options .....	29
TITAN Linear Actuator Parts and Accessories .....	29
<b>Vanguard 3501 Swing</b> .....	<b>32</b>
Vanguard 3501 Swing Models .....	33
Vanguard 3501 Swing Parts and Accessories .....	34
<b>Parts and accessories for slide and swing gate operators</b> .....	<b>36</b>

# PRO-SW3000XLS PRO-SW4000XLS

## Residential Single/Dual Swing Technology Gate Operators.

PRO-SW3000XLS for gates up to 16 ft and 650 lbs.

PRO-SW4000XLS for gates up to 20 ft and 1000 lbs.



**Cost:** Cost Effective Operation.



**Solar:** Solar Compatible.



**Longer Life:** Soft Start/Soft Stop.



**Easy:** Easy Programming.



**Battery:** Includes battery backup.



**Gates:** Works with All Types of Gates.



**Design:** Quick Installation.



**Warranty:** 2-Year Warranty.



**Compliant:** UL 325 Compliant.

PRO-SW3000XLS



PRO-SW4000XLS



## Technical Specifications

Model	Type	Volts	Max. Gate Length	Max Gate Weight	Gate Speed
PRO-SW3000XLS	Single	12VDC	16'	650 lbs.	15-18 sec.
PRO-SW3200XLS	Second Arm	12VDC	16'	650 lbs.	15-18 sec.
PRO-SW4000XLS	Single	12VDC	20'	1000 lbs	18-20 sec
PRO-SW4200XLS	Second Arm	12VDC	20'	1000 lbs	18-20 sec

### COMMON ELECTRICAL FEATURES

- 12VDC / 7.0 amp hour, sealed, rechargeable battery (included). Battery charge is maintained by a 120V AC/60 Hz input, 18V AC, 40 VA. output, transformer, regulated to 14V DC through control board
- Powered by a reliable 12 Volt (120 Watt) DC motor, 16:1 planetary gear drive system
- "Sleep draw" is 15 mA; "active draw" is 3 to 7 amps

### COMMON ENGINEERING FEATURES

- The control board can be programmed for pull-to-open or push-to-open
- Operating temp: -5 F (-21C) to +160 F (71 C)
- Opening time: From 15 to 20 seconds
- Range of arm stroke: up to 16"(41 cm) with 3000XLS, and up to 21"(53 cm) with 4000XLS
- Operator length for 3000XLS: with arm fully retracted is 40.25" (102 cm)
- The PRO-SW3200XLS works as a second gate operator when combined with a PRO-SW3000XLS. The PRO-SW3200XLS includes a 40ft power cable.
- Operator length for 4000XLS: with arm fully retracted is 46.25" (117 cm)
- The PRO-SW4200XLS works as a second gate operator when combined with a PRO-SW4000XLS. The PRO-SW4200XLS includes a 50ft power cable
- Operation, diagnostic, and safety alarms
- Inherent obstruction sensing so the operator meets UL without external sensing devices
- Soft start/soft stop—for long mechanical life expectancy
- Auto close adjustable 3–120 seconds delay

## PRO-SW3000XLS Models

Model	Part Number	Description	Weight (lbs)	Dimensions	Freight Class
PRO-SW3000XLS Single Gate Operator System	<b>PRO-SW3000XLS</b>	Includes: Primary arm with 6' cable, control box, battery, transformer, 1-button transmitter and receiver.	44	40"w x 18"d x 7"h	70
PRO-SW3200XLS Secondary Operator for dual gate use with PRO-SW3000XLS	<b>PRO-SW3200XLS</b>	Includes: Secondary arm with 40' cable.	31	45"w x 7"d x 9"h	70

## PRO-SW4000XLS Models

Model	Part Number	Description	Weight (lbs)	Dimensions	Freight Class
PRO-SW4000XLS Single Gate Operator System	<b>PRO-SW4000XLS</b>	Includes: Primary arm with 6' cable, control box, battery, transformer, 1-button transmitter and receiver.	50	51"w x 18.5"d x 7.5"h	70
PRO-SW4200XLS Secondary Operator for dual gate use with PRO-SW4000XLS	<b>PRO-SW4200XLS</b>	Includes: Secondary arm with 40' cable.	31	48"w x 7"d x 7"h	70

## PRO-SW3000XLS/PRO-SW3200XLS Parts and Accessories

Part Name	Part Number	Description
Battery, 7Ah	<b>2500-1118</b>	Single 7Ah replacement battery.
Bracket, Push to Open	<b>R4388</b>	Required for push to open installations; Order (2) brackets for dual swing installations. For use with PRO-SW3000XLS and PRO-SW3200XLS
Button, Unlit	<b>RB101</b>	Push button for open/close/stop operation of gate opener; up to 1000' with 16 gauge wire.
Cable, Power, 6'	<b>R4887</b>	6' power cable with strain relief for PRO-SW3000XLS and PRO-SW4000XLS.
Cable, Power, 40'	<b>R4889</b>	40' power cable with strain relief for PRO-SW3200XLS.
Control Box, Hinged, Complete	<b>R5500</b>	Complete, hinged control box for PRO-SW3000XLS and PRO-SW4000XLS.
Control Box, Hinged, Empty	<b>R5501</b>	Empty, hinged control box for PRO-SW3000XLS and PRO-SW4000XLS.

Supporters and Proud Members of



## PRO-SW3000XLS/PRO-SW3200XLS Parts and Accessories

Part Name	Part Number	Description
Gooseneck, Pedestal	<b>FM100</b>	Aluminum mounting post for access control devices.
Harness, Battery	<b>R5040</b>	Battery harness for XLS models.
Intercom, Residential	<b>F6100MBC</b>	Residential intercom system with keypad and indoor base station.
Keypad, Wireless	<b>F310</b>	Wireless keypad with 25 code capacity; Powered by (3) AA batteries (not included).
Lock, Gate, Automatic	<b>FM144</b>	Electric gate lock for vehicular gates.
Lock, Pedestrian Gate	<b>FM145</b>	Lock secures pedestrian gates to post or column; includes keypad and push button.
Lock, Pin	<b>FM345</b>	Substitute front mount clevis pin with pin lock to prevent operator tampering and theft.
Mount, Front, Silver	<b>R4886</b>	Silver front mount for PRO-SW3000XLS.
PCB, Green, 3000/4000	<b>R5211</b>	PCB for 3000/4000 series operators with R5040 battery harness.
Photo Eyes, Through Beam	<b>R4222</b>	Through beam photo eye for non-contact entrapment protection.
Receiver, Universal	<b>RB709U-NB</b>	Receiver connects to any brand gate or garage door opener; up to 100' range.
Rev Counter, PCB Assembly, Magnetic	<b>R4918</b>	Magnetic rev counter PCB assembly for PRO-SW3000XLS and PRO-SW4000XLS.
Rev Counter, Wheel Assembly, Magnetic	<b>R4880</b>	Magnetic rev counter wheel assembly for PRO-SW3000XLS and PRO-SW4000XLS.
Sensor, Vehicle, Wireless	<b>R4500</b>	Wireless vehicle sensor to open gate; 100' range between transmitter and receiver.
Sensor, Vehicle, Wired	<b>FM139</b>	50' driveway vehicle sensor to open gate; Also available in 100' and 150'.
Solar Panel, 12V 10W	<b>SOLAR10</b>	12V 10W solar panel.
Transformer, 18V	<b>RB570</b>	Replacement transformer to maintain battery charge; 18V 2200mA.
Transmitter, Remote, Keychain, 1-button	<b>RB741</b>	1-button transmitter; For use with RB709U-NB universal receiver.
Transmitter, Remote, Keychain, 2-button	<b>RB742</b>	2-button transmitter; For use with RB709U-NB universal receiver.
Wire, Low Voltage	<b>RB509-100</b>	100' roll 16 gauge, stranded, dual conductor low voltage wire; UV treated, PVC coated.

## PRO-SW4000XLS/PRO-SW4200XLS Parts and Accessories

Part Name	Part Number	Description
Battery, 7Ah	<b>2500-1118</b>	Single 7Ah replacement battery.
Bracket, Push to Open	<b>R4KPTO</b>	Required for push to open installations; Order (2) brackets for dual swing installations.
Button, Unlit	<b>RB101</b>	Push button for open/close/stop operation of gate opener; up to 1000' with 16 gauge wire.
Cable, Power	<b>R4887</b>	6' power cable with strain relief for PRO-SW3000XLS and PRO-SW4000XLS.
Control Box, Hinged, Complete	<b>R5500</b>	Complete, hinged control box for PRO-SW3000XLS and PRO-SW4000XLS.
Control Box, Hinged, Empty	<b>R5501</b>	Empty, hinged control box for PRO-SW3000XLS and PRO-SW4000XLS.
Gooseneck, Pedestal	<b>FM100</b>	Aluminum mounting post for access control devices.
Harness, Battery	<b>R5040</b>	Battery harness for XLS models.
Intercom, Residential	<b>F6100MBC</b>	Residential intercom system with keypad and indoor base station.
Keypad, Wireless	<b>F310</b>	Wireless keypad with 25 code capacity; Powered by (3) AA batteries (not included).
Lock, Gate, Automatic	<b>FM144</b>	Electric gate lock for vehicular gates.
Lock, Pedestrian Gate	<b>FM145</b>	Lock secures pedestrian gates to post or column; includes keypad and push button.
Lock, Pin	<b>FM345</b>	Substitute front mount clevis pin with pin lock to prevent operator tampering and theft.
PCB, Green, 3000/4000	<b>R5211</b>	PCB for 3000/4000 series operators with R5040 battery harness.
Photo Eyes, Through Beam	<b>R4222</b>	Through beam photo eye for non-contact entrapment protection.
Receiver, Universal	<b>RB709U-NB</b>	Receiver connects to any brand gate or garage door opener; up to 100' range.
Rev Counter, PCB Assembly, Magnetic	<b>R4918</b>	Magnetic rev counter PCB assembly for PRO-SW3000XLS and PRO-SW4000XLS.
Rev Counter, Wheel Assembly, Magnetic	<b>R4880</b>	Magnetic rev counter wheel assembly for PRO-SW3000XLS and PRO-SW4000XLS.

## PRO-SW4000XLS/PRO-SW4200XLS Parts and Accessories

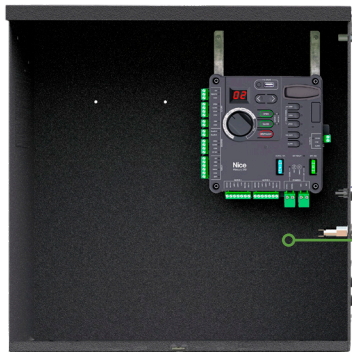
Part Name	Part Number	Description
Sensor, Vehicle, Wireless	<b>R4500</b>	Wireless vehicle sensor to open gate; 100' range between transmitter and receiver.
Sensor, Vehicle, Wired	<b>FM139</b>	50' driveway vehicle sensor to open gate; Also available in 100' and 150'.
Solar Panel, 12V 10W	<b>SOLAR10</b>	12V 10W solar panel.
Transformer, 18V	<b>RB570</b>	Replacement transformer to maintain battery charge; 18V 2200mA.
Transmitter, Remote, keychain, 1-button	<b>RB741</b>	1-button transmitter; For use with RB709U-NB universal receiver.
Transmitter, Remote, keychain, 2-button	<b>RB742</b>	2-button transmitter; For use with RB709U-NB universal receiver.
Wire, Low Voltage	<b>RB509-100</b>	100' roll 16 gauge, stranded, dual conductor low voltage wire; UV treated, PVC coated.

## Apollo Linear Actuator

**Trusted value, rugged performance.** Easy to install, easy to operate direct drive gate opener.



Apollo 816 Linear Actuator



CBOX 310  
Urban Residential, Solar box  
with internal space for battery  
and accessories with padlock  
provision.



**Weight and length limit:** Move gates up to 600 lbs and 16 ft long.



**Low maintenance:** Easy to install and maintain.



**Gate types:** Single or dual gate applications.



**Flexible:** AC or Solar power options.



**Adjustable:** Independent, field-adjustable open and close speeds available on models with 1050 controller.



**Performance:** Durable components for operation in different weather conditions.



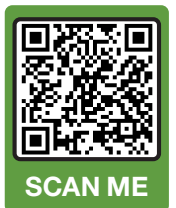
**Technology:** Nice BlueBUS 2-wire system self-identifies monitored photo eyes.



**Resilient:** Corrosion resistant, acme screw drive mechanism.



**Made in USA:** Designed, tested, and built within USA from globally sourced materials.



## Technical Specifications

Model	Apollo 1500 LA System	Apollo 1551 LA System	Apollo Bundle 310 Solar	Apollo Bundle 310 AC
Operator Kit	Single: CBOX636 and 816-1 Dual: CBOX636, 816-1, and 816-2	Single: CBOX1050 and 816-1 Dual: CBOX1050, 816-1, and 816-2	Single: SolarBOX310 and 816-1 Dual: SolarBOX310, 816-1, and 816-2	Single: ACBOX310 and 816-1 Dual: ACBOX310, 816-1, and 816-2
Duty Cycle	Continuous for AC; Varies based on solar charging capacity*			
Drive	Electromechanical			
Open/Close Time	14 - 16 seconds. Dependent on gate	Open/Close speed set independently. Adjustable 14 - 16 seconds	14 - 16 seconds. Dependent on gate	
Gate Length Max.	up to 16 ft (5 m) leaf			
Gate Weight Max.	600 lb (272 kg)			
Temperature Rating	-4° to 122° F (-20° to 50° C)			
Operating Voltage	12VDC			
Input Voltage	12VDC	12VDC or 24VDC	12VDC	115VAC, 60Hz
Idle Current	15mA	17mA	10mA	
Accessory Power	(3) fused 12 volt outputs - each fused by a 3A fuse	12VDC and 24VDC 0.3A each location	Regulated 12V 500mA always on (2 locations); Regulated 12V 500mA standby off (2 locations)	
Included Accessories	MGR receiver and MTS3 transmitter	OXIMGC/A receiver, MTS3 transmitter, one set of Blue-BUS through beam photo eyes	OXIMGC/A receiver and MTS3 transmitter	
Communication	n/a	BlueBUS, BUST4, OXI	BlueBUS, USB, OXI	
User Controls	636US Control Board	1050US Controller	Mercury 310 Controller	
Relays	none	3 programmable relays	none	
Arm Dimensions	Total Length: 42.2 retracted - 66 extended inches (107.2 - 167.6 cm) Pin-to-Pin: 40.8 retracted - 64.6 extended inches (103.6 - 164 cm)			
Enclosure	CBOX: 18w x 18h x 8d inch ( 46w x 46h x 20.3d cm)		CBOX: 18w x 18h x 8d inch ( 46w x 46h x 20.3d cm)	ACBOX: 11.8w x 15.8h x 6.7d inch (30w x 40h x 17 cm)
Control Box Finish	CBOX: Black powder coat steel			ACBOX: Grey Plastic
ETL Listed (UL 325)	n/a	Usage Class I, II		
<b>Warranty</b>	<b>3 year w/product registration</b>			

\* Actual battery backed up cycles will depend on gate resistance to travel, cycle length, battery health, ambient temperature, accessory power draw and frequency of gate cycles during power outage.  
Note: Battery and battery charger or solar panel required for operation, not included in all systems or bundles.

Apollo 816 linear actuator for farm and ranch swing gates. 12VDC battery powered, AC or Solar. Open up to 600 lb/16ft gate leaf in 14 to 16 seconds, dependent on gate. Adjustable force sensitivity for automatic safety reverse on all models.

**Apollo Linear Actuator Models and Package Options**

Model	Part Number	Description	Weight (lbs)	Dimensions	Freight Class
Apollo 816 LA	<b>O-816</b>	Linear Actuator, Primary Arm 816 Actuator with 12 ft harness, does not include mounting hardware.	25	40"w x 48"d x 51"h	70
Apollo 816-1 LA	<b>O-816-1</b>	Linear Actuator Complete, Primary Arm 816-1 Actuator 12 ft harness and mounting hardware.	35	40"w x 48"d x 51"h	70
Apollo 816X LA	<b>O-816X</b>	Linear Actuator, Secondary Arm 816X Actuator with 42 ft harness, does not include mounting hardware.	29	40"w x 48"d x 51"h	70
Apollo 816-2 LA	<b>O-816-2</b>	Linear Actuator Complete, Secondary Arm 816-2 Actuator kit with 42 ft harness and mounting hardware. Add to 1500 or 1551 for dual gate applications.	39	40"w x 48"d x 51"h	70
Apollo 1500 LA System	<b>O-1500</b>	Includes CBOX with 636 Controller, 816-1 arm , MGR receiver and MTS3 transmitter	58	40"w x 48"d x 51"h	70
Apollo 1551 LA System	<b>O-1551</b>	Includes CBOX with 1050 Controller, 816-1 arm, OXIMGC/A receiver, MTS3 transmitter and one set of BlueBUS through beam photo eyes.	58	40"w x 48"d x 51"h	70
Apollo Bundle 310 Solar	<b>O-A310-SLR-BL</b>	Includes CBOX with Mercury 310 controller, 816-1 arm, OXIMGC/A receiver and MTS3 transmitter. Battery required but not included. No charger required.	58	40"w x 48"d x 51"h	70

**Apollo Linear Actuator Models and Package Options**

Model	Part Number	Description	Weight (lbs)	Dimensions	Freight Class
Apollo Bundle 310 AC	<b>O-A310-AC-BL</b>	Includes ACBOX with Mercury 310 controller, 816-1 arm, OXIMGC/A receiver and MTS3 transmitter. Includes (1) 8Ah battery and 250VA power supply. UL325 compliant.	60	40"w x 48"d x 51"h	70
Apollo Bundle 310	<b>O-A310-BL</b>	Includes CBOX with Mercury 310 controller, 816-1 arm, OXIMGC/A receiver and MTS3 transmitter. Battery required but not included. Solar panel, transformer and charger not included.	58	40"w x 48"d x 51"h	70

Apollo Linear Actuator Control Box Options

Model	Part Number	Description	Weight (lbs)	Dimensions	Freight Class
Nice CBOX636	<b>O-CBOX636</b>	636 Controller 11111B metal control box (18w x 18h x 8d inches) with 636 Controller. Includes MGR receiver and MTS3 transmitter.	23	18"w x 22"d x 10"h	70
Nice CBOX1050	<b>O-CBOX1050</b>	1050 Controller 11111B metal control box (18w x 18h x 8d inches) with 1050 controller board. Includes OXIMGC/A receiver and MTS3 transmitter. UL 325 7th Edition Compliant.	23	18"w x 22"d x 10"h	70
Nice CBOX310	<b>O-CBOX310</b>	Mercury 310 Controller SolarBOX black powder coated steel control box (18w x 18h x 8d inches) with Mercury 310 controller, OXIMGC/A receiver and MTS3 transmitter.	23	18"w x 22"d x 100"h	70
Nice ACBOX310	<b>O-ACBOX310</b>	Mercury 310 controller ACBOX gunmetal grey plastic AC control box (12w x 18h x 8d inches) with Mercury 310 controller, OXIMGC/A receiver and MTS3 transmitter. Includes (1) 8Ah battery.	23	19"w x 22"d x 10"h	70

Apollo Linear Actuator Parts and Accessories

Part Name	Part Number	Description
Adapter, OXI receiver to relay	<b>OX2UBP</b>	Universal adapter that converts any Nice receiver with the OXI form factor to work with any gate operator through a relay output. Works with 12-24V AC or DC input power.
Antenna, Directional, 433.92 MHz	<b>ABF/A</b>	Adjustable whip antenna with mounting bracket, removable terminal block and 10 ft coaxial cable for Nice 433.92 MHz receivers
Battery Charger, 1.5A	<b>404C</b>	Automatic battery charger/maintainer, 1.5A maximum output, requires 120VAC
Battery expansion Kit, ACBOX	<b>MX5194</b>	Kit to add additional 8Ahr battery to ACBOX310. Includes 8Ahr battery, battery shelf, wiring harness, and mounting hardware.
Battery, 8Ah	<b>MX000909</b>	Single 8Ah battery.
Bearing Kit	<b>A2087</b>	Bearing kit includes 3 thin race, 1 thick race and 2 bearings, plus key.
Box, Control, CBOX, No Controller	<b>11111B</b>	11111B metal control box, 18w x 18h x 8d, no controller, includes push button and key switch with 2 keys, and lid.
Box, Shipping, Actuator	<b>A2034C</b>	Actuator shipping box.
Bracket Retrofit Kit, Mercury 310	<b>MX5196</b>	Bracket kit to mount Mercury 310 into CBOX enclosure.
Bracket, Gate Attach Kit	<b>10015290</b>	Gate attach bracket kit for 816 or 912L actuators, includes hardware.
Bracket, Pivot, Bolt-On	<b>446</b>	Bolt-on pivot bracket for 816 or 912L actuators.
Bracket, Pivot, Kit, Single & Dual	<b>10055490</b>	Bracket kit, includes weld-on pivot bracket, gate attach bracket and hardware for all 416, 816 and 912L actuators.
Bracket, Retrofit Kit, for 1050 Controller	<b>10055090</b>	Retrofit brackets, for mounting the 1050 controller in 11111B control boxes.
Bumper, Rubber	<b>3398</b>	Rubber bump stop for gate.
Bushing, Back Housing	<b>72510001</b>	Back housing bushing.
Bushing, Gear Housing	<b>72510003</b>	Gear housing bushing.
Bushing, Limit Plate	<b>A2052</b>	Kimray bushing for limit plate.
Bushing, Top, Limit Switch	<b>A2009</b>	Top Limit Switch Bushing.
Buzzer, Piezo, 100dB	<b>MX4711</b>	Buzzer alarm for ACBOX.
Cable, 7 wire (per foot)	<b>A2040</b>	7 wire (per foot) cable.
Connector, Molex, White, 8 Pin	<b>A2032</b>	Includes connector and 8 wire terminals.
Controller, 636	<b>636US</b>	636 Controller, non-ETL, with limit bypass plug, for single or dual applications.
Controller, 1050	<b>1050US</b>	1050 Controller for single or dual applications, UL325 7th Edition Compliant.

## Apollo Linear Actuator Parts and Accessories

Part Name	Part Number	Description
Controller, Mercury 310	<b>MX4920</b>	Mercury 310 controller for single or dual applications, UL325 7th Edition Compliant.
Conversion Kit, 416, 816 or 912L	<b>400</b>	Long gate conversion kit for 416, 816 or 912L actuators, increases maximum lead length to 20 ft.
Cover Tube, Seal Housing Kit	<b>A2024K</b>	Cover tube kit for 416 or 816 actuators, includes seal assembly.
Cover, Front, Gear, w/Bushing	<b>A2046</b>	Front cover housing kit for 416 or 816 actuators, includes bushing.
Detector, Probe, 12V	<b>217</b>	Exit probe kit, 12V, includes probe and controller.
Edge Channel, 10 ft	<b>MX4219-03</b>	Aluminum channel, mounts low and high profile edge sensors, 10 ft.
Edge Channel, 5 ft	<b>MX4219-02</b>	Aluminum channel, mounts low and high profile edge sensors, 5 ft.
Edge Sensor Assembly, Channel Mount, High Profile	<b>AS1502-0440-05</b>	High profile channel mount ASO edge sensor, preassembled with end caps and aluminum mounting channel, 5 ft, 1 x 1.75 inch (1.5 m, 25 x 45 mm).
Edge Sensor Assembly, Channel Mount, Low Profile	<b>AS1502-0430-05</b>	Low profile channel mount ASO edge sensor, preassembled with end caps and aluminum mounting channel, 5 ft, 1 x 1.25 inch (1.5 m, 25 x 30 mm).
Edge Sensor Assembly, Wraparound, Round	<b>AS1501-0760</b>	Round ASO wraparound edge sensor for use on 2 inch diameter pole. Three contact surfaces for sensing contact in any direction. 5 ft x 2 inch (1.5 m x 51 mm).
Edge Sensor Assembly, Wraparound, Square	<b>AS1501-0790</b>	Square ASO wraparound edge sensor for use on 2 inch square pole. Three contact surfaces for sensing contact in any direction. 5 ft x 2 inch (1.5 m x 51 mm).
Edge Sensor Roll, Channel Mount, High Profile, 82 ft	<b>AS1502-0440</b>	High profile channel mount ASO edge sensor, 82 ft roll x 1 x 1.75 inch (25 m x 25 x 45 mm) Used to create custom length edge sensors. Purchase channel and two end cap types to complete system.
Edge Sensor Roll, Channel Mount, Low Profile, 82 ft	<b>AS1502-0430</b>	Low profile channel mount ASO edge sensor, 82 ft roll x 1 x 1.25 inch (25 m x 25 x 30 mm). Used to create custom length edge sensors. Purchase channel and two end cap types to complete system.
End Cap, Edge, High Profile, 10k	<b>AS1804-1630</b>	Replacement end cap for high profile ASO edge sensor, with 10k resistive termination, 1 x 1.75 inch (25 x 44 mm).
End Cap, Edge, High Profile, No Resistor	<b>AS1804-0490</b>	Replacement end cap for ASO edge sensor without resistive termination to make a non-monitored edge to function with pre-2016 operators, 1 x 1.75 inch (25 x 44 mm).
End Cap, Edge, High Profile, Wire Leads	<b>AS1804-0650</b>	Replacement end cap for high profile ASO edge sensor, with wire leads, 1 x 1.75 inch (25 x 44 mm).
End Cap, Edge, Low Profile, 10K	<b>AS1804-1620</b>	Replacement end cap for low profile ASO edge sensor, with 10k resistive termination, 1 x 1.25 inch (25 x 32 mm).
End Cap, Edge, Low Profile, No Resistor	<b>AS1804-0480</b>	Replacement end cap for ASO edge sensor without resistive termination to make a non-monitored edge to function with pre-2016 operators, 1 x 1.25 inch (25 x 32 mm).

## Apollo Linear Actuator Parts and Accessories

Part Name	Part Number	Description
End Cap, Edge, Low Profile, Wire Leads	<b>AS1804-0640</b>	Replacement end cap for low profile ASO edge sensor, with wire leads, 1 x 1.25 inch (25 x 32 mm).
Extension Tube, 816 or 416 actuators	<b>A2027</b>	Extension tube for 816 or 416 actuators.
Gear Nut, AC	<b>A2006</b>	AC gear nut.
Gear, Spur	<b>A2017</b>	Spur gear.
Harness, 12 ft, 816	<b>A2058</b>	Replacement Cable Harness, 12 ft, for use with 816 Actuator and 1550 gate operator.
Harness, 42 ft, 816X	<b>A2041</b>	Replacement Cable Harness, 42 ft, for 816X actuators.
Hitch Pin w/Locking Pin	<b>75980079</b>	Hitch Pin with Locking Pin for 1500/1550/1551.
Housing, Rear, Kit	<b>A2012</b>	Rear housing kit, for 416 or 816 actuators. Includes limit cap and seal, strain relief.
Key Switch, Single Pole	<b>1115</b>	Single pole key switch for 11111B or 11111C control box, includes 2 keys.
Key, Shaft	<b>A2039</b>	Shaft key, 3/32 x 3/32 x 3/16.
Keypad, wired	<b>ACP00748</b>	Linear AK-11 Access Keypad.
Keypad, Exterior, MegaCode, Wireless	<b>ACP00878</b>	Wireless MegaCode MDPK keypad.
Limit Assembly Kit	<b>A2088</b>	Limit assembly kit.
Limit Block and Switch Assembly	<b>A2074</b>	Limit block and switch assembly.
Limit Block w/Magnet	<b>A2002</b>	Brass limit block with magnets for internal limit assemblies.
Limit Block, Plastic, No Switch	<b>A2003P</b>	No switch plastic limit block.
Limit Bolt, Proximity	<b>A2005</b>	Proximity limit bolt.
Limit Cap and Seal Kit	<b>A2010</b>	Limit Cap and Seal Kit for 816 actuator.
Limit Screw, 816 or 416 actuators	<b>A2019</b>	Limit screw for 816 or 416 actuators.
Limit Switch and Bracket Assembly	<b>A2038</b>	Full limit tower assembly, magnetic block and limit screw for 816 actuator.
Main Screw Kit	<b>A2086</b>	Main screw kit, includes limit screw, bushing/bearings and nut.
Main Screw, 816 or 416 Actuators	<b>A2018</b>	Main screw for 816 or 416 actuators.
Motor and Pinion Gear	<b>A2014</b>	Motor and pinion gear for 416 or 816 actuators.

## Apollo Linear Actuator Parts and Accessories

Part Name	Part Number	Description
OVBT, Bluetooth Module	<b>OVBT</b>	Bluetooth connection module for Oview interface.
Photo Eye w/BlueBUS, Reflective, Adjustable, Large	<b>EPMORB/A</b>	Reflective photo eye with Nice BlueBUS communications technology. Adjustable optics are positionable to 30° in large size housing. Requires BlueBUS enabled controller. For use with Mercury 310/936/1050/XBA3/BCU1 and SmartCNX, SmartTouch 725 controllers.
Photo Eye w/BlueBUS, Through-Beam, Adjustable	<b>EPMOB/A</b>	Through-beam photo eye with Nice BlueBUS communications technology. Adjustable optics are positionable to 30° in medium size housing. Requires BlueBUS enabled controller. For use with the 936/1050/XBA3/BCU1/SmartCNX, SmartTouch 725 and Mercury 310 controllers.
Photo Eye w/BlueBUS, Through-Beam, Non-Adjustable	<b>EPMB/A</b>	Through-beam photo eye with Nice BlueBUS communications technology and medium size housing. Requires BlueBUS enabled controller. For use with the 936/1050/XBA3/BCU1 and SmartCNX, SmartTouch 725 Controllers.
Photo Eye w/BlueBUS, Through-Beam, Non-Adjustable, Metal	<b>EPMAB/A</b>	Through-beam photo eye with Nice BlueBUS communications technology and solid, durable, medium size cast metal alloy housing. Requires BlueBUS enabled controller. For use with the 936/1050/XBA3/BCU1/SmartCNX, SmartTouch 725 and Mercury 310 controllers.
Plug, for Limit Bypass on 636US	<b>71050014</b>	Plug for limit bypass on 636US Controller.
Power Distribution Assembly, ACBOX	<b>MX4860</b>	Replacement power distribution assembly for use with ACBOX controller enclosure.
Programming unit for device BUS T4 connection	<b>OVIEW/AR01</b>	Unit for control, programming and diagnostics for devices equipped with BUST4 connection, for use with 1050 or XBA3 controllers Note: Firmware updates on 1050 and XBA3/U controllers require the OVIEW/A and the OVBT.
Proximity Compression Spring	<b>A2008</b>	Proximity compression spring.
Proximity Switch	<b>A2004</b>	Magnetic proximity limit switch for 416 or 816 actuators.
Receiver, 1-channel, MegaCode	<b>DNR00104</b>	MegaCode receiver, single channel, 318MHz.
Receiver, OXI, Long Range with LoRa Technology	<b>OXILR/A</b>	OXI bi-directional long range receiver, 433.92 MHz, 1024 codes with LoRa Technology, red fascia.
Receiver, OXI, MegaCode	<b>OXIMGC/A</b>	OXI MegaCode 318MHz receiver. Compatible with HomeLink.
RTE Unit, wireless, button	<b>MX5152</b>	Remote exit button, for use with gooseneck stand on secure side of a gate.
Sensor, Smart	<b>A2072</b>	Smart speed sensor for 416 or 816 actuators.
Signs, Moving Gate Warning, English	<b>MX3193-01</b>	Two UL 325 moving gate warning signs, English, 8.5 x 11 inch aluminum, includes 8 zip ties.

## Apollo Linear Actuator Parts and Accessories

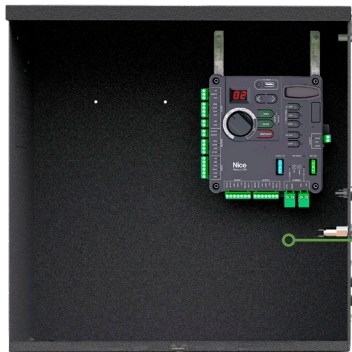
Part Name	Part Number	Description
Solar Charge Regulator	<b>SG-4</b>	Solar charge regulator for 12V solar arrays up to 60W
Solar Panel, 12V 5W, w/ Mounting Bracket	<b>201</b>	Solar panel, 12V 5W, includes mounting bracket.
Solar Panel, 12V 10W, w/ Mounting Bracket	<b>210</b>	Solar panel, 12V 10W, includes mounting bracket.
Solar Panel, 12V 20W, w/ Mounting Bracket	<b>212</b>	Solar panel, 12V 20W, includes mounting bracket.
Solar Panel, Bracket, Mounting, 30W - 60W	<b>10046890</b>	Mounting bracket for 12V 30W to 60W solar panels.
Solar Panel, Bracket, Mounting, 5W - 20W	<b>208</b>	Mounting bracket for 12V 5W to 20W solar panels.
Switch, Push Button, Control Box	<b>1119</b>	Push button switch for 11111B or 11111C control box.
Tab, Replacement	<b>10020915</b>	Zinc plated replacement tab for 11111B, 11111C, CBOX.
Transformer, ACBOX	<b>MX4859</b>	Replacement AC transformer for use with ACBOX controller enclosure.
Transmitter, MegaCode, 1-button	<b>DNT00091</b>	1-button MTS3 MegaCode visor transmitter.
Transmitter, MegaCode, 3-button	<b>DNT00093</b>	3-button MTS3 MegaCode visor transmitter.
Transmitter, Remote, Era One, Bi-Directional Long Range, LoRa	<b>ON3ELR/A</b>	Era One bi-directional long range remote transmitter with LoRa technology, 433.92 MHz, red fascia.
Transmitter-Receiver Kit, LoRa Technology	<b>ONELRKIT/A</b>	Includes 2 Era One bi-directional long range transmitters (ON3ELR/A), 1 OXI bi-directional receiver (OXILR/A), and 1 relay adapter (OX2UBP) to use with non-OXI port controllers.

# TITAN Linear Actuator

**Elegant, modular design.** Quiet, powerful and field-repairable with multiple controller and power options.



TITAN 912 Linear Actuator



CBOX 310  
Urban Residential,  
Solar box with internal  
space for battery and  
accessories with padlock  
provision.



**Simple:** UL325 Type C compliance, with no external safety devices required using 310 bundle models\*.



**Powerful:** Moves up to 600 lbs for a 20 ft gate leaf, or 1,000 lbs for an 8 ft gate leaf.



**Easy maintenance:** Modular, field replaceable components for easy maintenance.



**Convenience:** Easy access to limit switch adjustment.



**Technology:** Nice BlueBUS 2-wire system self-identifies monitored photo eyes.



**Design:** Superior arm design keeps out dust and snow.



**Noise reduction:** Soft-start and soft-stop for smooth gate operation.



**Gate types:** Single or dual gate applications.



## Technical Specifications

Model	Nice TITAN12L1 LA System	Nice TITANKIT 12L1 AC	Nice TITANKIT 12L1 Solar	Nice TITAN Bundle 310 AC	Nice TITAN Bundle 310 Solar
Operator Kit	Single: CBOX1050 and 912L-1 Dual: CBOX1050, 912L-1, and 912L-2. Carriage return rendered.		Single: CBOX1050 and 912L-1 Dual: CBOX1050, 912L-1 and 912L-2	Single: ACBOX310 and 912L-1 Dual: ACBOX310, 912L-1, and 912L-2	Single: SolarBOX310 and 912L-1 Dual: SolarBOX310, 912L-1, and 912L-2
Duty Cycle	Continuous for AC; Varies based on solar charging capacity*				
Drive	Electromechanical				
Open/Close Time	Open/Close speed set independently. Adjustable 14 - 16 seconds				
Gate Length Max.	Up to 20 ft gate leaf (6 m)				
Gate Weight Max.	Up to 600 lb for a 20 ft leaf (272 kg for 6 m); up to 1000 lb for a 8 ft leaf (453 kg for 2.4 m)				
Temperature Rating	-4° to 122° F (-20° to 50° C)				
Operating Voltage	12VDC				
Input Voltage	12VDC	12VDC or 24VDC	12VDC	115VAC, 60Hz	
Idle Current	17mA			10mA	
Accessory Power	12VDC and 24VDC 0.3A each location			Regulated 12V 500mA always on (2 locations); Regulated 12V 500mA standby off (2 locations)	
Included Accessories	OXIMGC/A receiver, MTS 3 transmitter, one set of BlueBUS through beam photo eyes, Pivot Bolt	OXIMGC/A receiver, MTS3 transmitter, one set of BlueBUS reflective photo eyes, Pivot Bolt		OXIMGC/A receiver, MTS3 transmitter, Pivot Bolt	
Communication	BlueBUS, BUST4, OXI			BlueBUS, USB, OXI	
User Controls	1050US Controller			Mercury 310 Controller	
Relays	3 programmable			none	
Arm Dimensions	Total Length: 42.5 retracted - 69.3 extended inches (108 - 176 cm) Pin-to-Pin: 40.5 retracted - 67.3 extended inches (103 - 171 cm)				
Enclosure	CBOX: 18w x 18h x 8d inch (46w x 46h x 20.3d cm)			ACBOX: 11.8w x 15.8h x 6.7d inch (30w x 40h x 17 cm)	CBOX: 18w x 18h x 8d inch (46w x 46h x 20.3d cm)
Control Box Finish	CBOX: Black powder coat steel			ACBOX: Grey Plastic	CBOX: Black powder coat steel
ETL Listed (UL 325)	Usage Class I, II				
Warranty	3 year w/product registration				

\* Actual battery backed up cycles will depend on gate resistance to travel, cycle length, battery health, ambient temperature, accessory power draw and frequency of gate cycles during power outage.

Note: Battery and battery charger or solar panel required for operation, not included in all systems or bundles.

TITAN 912 linear actuator for residential, farm and ranch swing gates. 12VDC battery powered, AC or Solar. Open up to 1000 lb/16ft gate leaf in 14 to 16 seconds, dependent on gate. Convenient access to limit switch adjustment, secured under locking cover plus keyed manual operation and modular design with simple field replaceable components.

## TITAN Linear Actuator Models and Package Options

Model	Part Number	Description	Weight (lbs)	Dimensions	Freight Class
Nice 912L LA	<b>O-912L</b>	Linear Actuator, Primary Arm 912L actuator, 12V with encoder, 12 ft harness, does not include mounting hardware.	29	47"w x 9"d x 8"h	60
Nice 912L-1 LA	<b>O-912L-1</b>	Linear Actuator Complete, Primary Arm 912L-1 actuator kit, 12V with encoder, 12 ft harness and mounting hardware	39	47"w x 9"d x 8"h	60
Nice 912L-2 LA	<b>O-912L-2</b>	Linear Actuator Complete, Secondary Arm 912L-2 actuator kit, 12V with encoder, 42 ft harness and mounting hardware. Add to TITAN12L or TITAN12L1 for dual gate applications.	41	47"w x 9"d x 8"h	60
Nice 912LX LA	<b>O-912LX</b>	Linear Actuator, Secondary Arm 912LX actuator, 12V with encoder, 42 ft harness, does not include mounting hardware.	32	47"w x 9"d x 8"h	60
Nice TITAN12L1 LA System	<b>O-TITAN12L1</b>	Includes CBOX with 1050 controller, 912L-1 arm, OXIMGC/A receiver, MTS3 transmitter and one set of BlueBUS through beam photo eyes.	62	40"w x 48"d x 51"h	70
Nice TITANKIT 12L1 AC	<b>O-T12L1-AC-KIT</b>	Kit includes 912L-1 arm, CBOX with 1050 controller, battery charger, OXIMGC/A receiver, MTS3 transmitter, ABF antenna, and BlueBUS reflective photo eye.	70	46"w x 30"d x 10"h	60
Nice TITANKIT 12L1 Solar	<b>O-T12L1-SLR-KIT</b>	Kit includes 912L-1 arm, CBOX with 1050 controller, solar panel, OXIMGC/A receiver, MTS3 transmitter, ABF antenna, and BlueBUS reflective photo eye.	71	46"w x 30"d x 10"h	60
Nice TITAN Bundle 310 AC	<b>O-T310-AC-BL</b>	Kit includes 912L-1 arm, ACBOX (Gunmetal grey plastic control box kit with Mercury 310 controller, battery), OXIMGC/A receiver and MTS3 transmitter. Charger not required.	72	46"w x 30"d x 10"h	70

## TITAN Linear Actuator Models and Package Options

Model	Part Number	Description	Weight (lbs)	Dimensions	Freight Class
Nice TITAN Bundle 310 Solar	<b>O-T310-SLR-BL</b>	Includes CBOX with Mercury 310 controller, 912L-1 arm, OXIMGC/A receiver and MTS3 transmitter. Battery required but not included. Charger not required.	70	46"w x 30"d x 10"h	70
Nice TITAN Bundle 310	<b>O-T310-BL</b>	Includes CBOX with Mercury 310 controller, 912L-1 arm, OXIMGC/A receiver and MTS3 transmitter. Battery required but not included. Solar panel, transformer and charger not included.	70	46"w x 30"d x 10"h	70

TITAN Linear Actuator Control Box Options

Model	Part Number	Description	Weight (lbs)	Dimensions	Freight Class
Nice CBOX1050	<b>O-CBOX1050</b>	1050 Controller 11111B metal control box (18w x 18h x 8d inches) with 1050 controller board. Includes OXIMGC/A receiver and MTS3 transmitter. UL 325 7th Edition Compliant.	23	18"w x 22"d x 10"h	70
Nice CBOX310	<b>O-CBOX310</b>	Mercury 310 Controller SolarBOX black powder coated steel control box (18w x 18h x 8d inches) with Mercury 310 controller, OXIMGC/A receiver and MTS3 transmitter.	23	18"w x 22"d x 10"h	70
Nice ACBOX310	<b>O-ACBOX310</b>	Mercury 310 controller ACBOX gunmetal grey plastic AC control box (12w x 18h x 8d inches) with Mercury 310 controller, OXIMGC/A receiver and MTS3 transmitter.	23	19"w x 22"d x 10"h	70

TITAN Linear Actuator Parts and Accessories

Part Name	Part Number	Description
Adapter, OXI receiver to relay	<b>OX2UBP</b>	Universal adapter that converts any Nice receiver with the OXI form factor to work with any gate operator through a relay output. Works with 12-24V AC or DC input power.
Antenna, Directional, 433.92 MHz	<b>ABF/A</b>	Adjustable whip antenna with mounting bracket, removable terminal block and 10 ft coaxial cable for Nice 433.92 MHz receivers.
Battery Charger, 1.5A	<b>404C</b>	Automatic battery charger/maintainer, 1.5A maximum output, requires 120VAC
Battery, Expansion Kit, ACBOX	<b>MX5194</b>	Kit to add additional 8Ahr battery to ACBOX310. Includes 8Ahr battery, battery shelf, wiring harness, and mounting hardware.
Battery, 8Ah	<b>MX000909</b>	Single 8Ah battery.
Bolt, Pivot, Kit	<b>MX4681</b>	Accessory kit for Pivot Bolt. Includes Pivot Bolt, washer, threaded hex nut, cotter pin. Compatible with all 912L actuators.
Box, Control, CBOX, No Controller	<b>11111B</b>	11111B metal control box, 18w x 18h x 8d, no controller, includes push button and key switch with 2 keys, and lid.
Bracket Retrofit Kit, Mercury 310	<b>MX5196</b>	Bracket kit to mount Mercury 310 into CBOX enclosure.
Bracket, Gate Attach Kit	<b>10015290</b>	Gate attach bracket kit for 816 or 912L actuators, includes hardware.
Bracket, Pivot, Bolt-On	<b>446</b>	Bolt-on pivot bracket for 816 or 912L actuators.
Bracket, Pivot, Kit, Single & Dual	<b>10055490</b>	Bracket kit, includes weld-on pivot bracket, gate attach bracket and hardware for all 416, 816 and 912L actuators.
Bracket, Retrofit Kit, for 1050 Controller	<b>10055090</b>	Retrofit brackets, for mounting the 1050 controller in 11111B control boxes.
Bumper, Rubber	<b>3398</b>	Rubber bump stop for gate.
Buzzer, Piezo, 100dB	<b>MX4711</b>	Buzzer alarm for ACBOX.
Cable, 7 wire (per foot)	<b>A2040</b>	7 wire cable (sold per foot)
Controller, 1050	<b>1050US</b>	1050 Controller for single or dual applications, UL325 7th Edition Compliant.
Controller, Mercury 310	<b>MX4920</b>	Mercury 310 controller for single or dual applications, UL325 7th Edition Compliant.
Conversion Kit, 416, 816 or 912L	<b>400</b>	Long gate conversion kit for 416, 816 or 912L actuators, increases maximum lead length to 20 ft.
Cover, Motor, Bottom	<b>PD0929A3000</b>	Bottom motor cover for TITAN12L/12L1, aluminum.
Cover, Upper	<b>PD0942A3000</b>	Upper cover for TITAN12L/12L1, aluminum.
Detector, Probe, 12V	<b>217</b>	Exit probe kit, 12V, includes probe and controller.

## TITAN Linear Actuator Parts and Accessories

Part Name	Part Number	Description
Edge Channel, 10 ft	<b>MX4219-03</b>	Aluminum channel, mounts low and high profile edge sensors, 10 ft.
Edge Channel, 5 ft	<b>MX4219-02</b>	Aluminum channel, mounts low and high profile edge sensors, 5 ft.
Edge Sensor Assembly, Channel Mount, High Profile	<b>AS1502-0440-05</b>	High profile channel mount ASO edge sensor, preassembled with end caps and aluminum mounting channel, 5 ft, 1 x 1.75 inch (1.5 m, 25 x 45 mm).
Edge Sensor Assembly, Channel Mount, Low Profile	<b>AS1502-0430-05</b>	Low profile channel mount ASO edge sensor, preassembled with end caps and aluminum mounting channel, 5 ft, 1 x 1.25 inch (1.5 m, 25 x 30 mm).
Edge Sensor Assembly, Wraparound, Round	<b>AS1501-0760</b>	Round ASO wraparound edge sensor for use on 2 inch diameter pole. Three contact surfaces for sensing contact in any direction. 5 ft x 2 inch (1.5 m x 51 mm).
Edge Sensor Assembly, Wraparound, Square	<b>AS1501-0790</b>	Square ASO wraparound edge sensor for use on 2 inch square pole. Three contact surfaces for sensing contact in any direction. 5 ft x 2 inch (1.5 m x 51 mm).
Edge Sensor Roll, Channel Mount, High Profile, 82 ft	<b>AS1502-0440</b>	High profile channel mount ASO edge sensor, 82 ft roll x 1 x 1.75 inch (25 m x 25 x 45 mm) Used to create custom length edge sensors. Purchase channel and two end cap types to complete system.
Edge Sensor Roll, Channel Mount, Low Profile, 82 ft	<b>AS1502-0430</b>	Low profile channel mount ASO edge sensor, 82 ft roll x 1 x 1.25 inch (25 m x 25 x 30 mm). Used to create custom length edge sensors. Purchase channel and two end cap types to complete system.
End Cap, Edge, High Profile, 10k	<b>AS1804-1630</b>	Replacement end cap for high profile ASO edge sensor, with 10k resistive termination, 1 x 1.75 inch (25 x 44 mm).
End Cap, Edge, High Profile, No Resistor	<b>AS1804-0490</b>	Replacement end cap for ASO edge sensor without resistive termination to make a non-monitored edge to function with pre-2016 operators, 1 x 1.75 inch (25 x 44 mm).
End Cap, Edge, High Profile, Wire Leads	<b>AS1804-0650</b>	Replacement end cap for high profile ASO edge sensor, with wire leads, 1 x 1.75 inch (25 x 44 mm).
End Cap, Edge, Low Profile, 10K	<b>AS1804-1620</b>	Replacement end cap for low profile ASO edge sensor, with 10k resistive termination, 1 x 1.25 inch (25 x 32 mm).
End Cap, Edge, Low Profile, No Resistor	<b>AS1804-0480</b>	Replacement end cap for ASO edge sensor without resistive termination to make a non-monitored edge to function with pre-2016 operators, 1 x 1.25 inch (25 x 32 mm)
End Cap, Edge, Low Profile, Wire Leads	<b>AS1804-0640</b>	Replacement end cap for low profile ASO edge sensor, with wire leads, 1 x 1.25 inch (25 x 32 mm).
Harness, 7 wire, 12 ft, no connector	<b>A2094</b>	Harness, 7 wire, 12' overall length, no connector, for motors used with 1050 series and Mercury 310 controller.

## TITAN Linear Actuator Parts and Accessories

Part Name	Part Number	Description
Harness, 7 wire, 42 ft, no connector	<b>A2095</b>	Harness, 7 wire, 42' overall length, no connector, for motors used with 1050 series and Mercury 310 controller.
Key Switch, Single Pole	<b>1115</b>	Single pole key switch for 11111B or 11111C control box, includes 2 keys.
Keypad, wired	<b>ACP00748</b>	Linear AK-11 Access Keypad.
Keypad, Exterior, MegaCode, Wireless	<b>ACP00878</b>	Wireless MegaCode MDKP keypad.
Keys, Spare	<b>NTK1010</b>	Set of 2 spare keys for TITAN12L/12L1 and Nice 4000/8000 series cover locks.
Limit Switch	<b>SPSWLSM-01</b>	Limit switch for TITAN12L/12L1.
Motor, Electric, 12V	<b>SPSW912-01</b>	Electric motor only, TITAN12L/12L1, 12V.
OVBT, Bluetooth Module	<b>OVBT</b>	Bluetooth connection module for Oview interface.
Photo Eye w/BlueBUS, Reflective, Adjustable, Large	<b>EPMORB/A</b>	Reflective photo eye with Nice BlueBUS communications technology. Adjustable optics are positionable to 30° in large size housing. Requires BlueBUS enabled controller. For use with Mercury 310/1050/XBA3/BCU1 and SmartCNX, SmartTouch 725 controllers.
Photo Eye w/BlueBUS, Through-Beam, Adjustable	<b>EPMOB/A</b>	Through-beam photo eye with Nice BlueBUS communications technology. Adjustable optics are positionable to 30° in medium size housing. Requires BlueBUS enabled controller. For use with the 1050/XBA3/BCU1/SmartCNX, SmartTouch 725 and Mercury 310 controllers.
Photo Eye w/BlueBUS, Through-Beam, Adjustable, Large	<b>EPLOB/A</b>	Through-beam photo eye with Nice BlueBUS communications technology. Adjustable optics are positionable to 30° in large size housing. Requires BlueBUS enabled controller. For use with the 1050/XBA3/BCU1 and SmartCNX, SmartTouch 725 Controllers.
Photo Eye w/BlueBUS, Through-Beam, Non-Adjustable	<b>EPMB/A</b>	Through-beam photo eye with Nice BlueBUS communications technology and medium size housing. Requires BlueBUS enabled controller. For use with the 1050/XBA3/BCU1 and SmartCNX, SmartTouch 725 Controllers.
Photo Eye w/BlueBUS, Through-Beam, Non-Adjustable, Metal	<b>EPMAB/A</b>	Through-beam photo eye with Nice BlueBUS communications technology and solid, durable, medium size cast metal alloy housing. Requires BlueBUS enabled controller. For use with the 1050/XBA3/BCU1/SmartCNX, SmartTouch 725 and Mercury 310 controllers.
Power Distribution Assembly, ACBOX	<b>MX4860</b>	Replacement power distribution assembly for use with ACBOX controller enclosure.
Programming unit for device BUS T4 connection	<b>OVIEW/AR01</b>	Unit for control, programming and diagnostics for devices equipped with BUST4 connection, for use with 1050 or XBA3 controllers Note: Firmware updates on 1050 and XBA3/U controllers require the OVIEW/A and the OVBT.

## TITAN Linear Actuator Parts and Accessories

Part Name	Part Number	Description
Receiver, OXI, Long Range with LoRa Technology	<b>OXILR/A</b>	OXI bi-directional long range receiver, 433.92 MHz, 1024 codes with LoRa Technology, red fascia.
Receiver, OXI, MegaCode	<b>OXIMGC/A</b>	OXI MegaCode 318MHz receiver. Compatible with HomeLink.
RTE Unit, wireless, button	<b>MX5152</b>	Remote exit button, for use with gooseneck stand on secure side of a gate.
Seal and Housing, 912L	<b>SPTTN03</b>	Seal, housing and guide.
Signs, Moving Gate Warning, English	<b>MX3193-01</b>	Two UL 325 moving gate warning signs, English, 8.5 x 11 inch aluminum, includes 8 zip ties.
Solar Charge Regulator	<b>SG-4</b>	Solar charge regulator for 12V solar arrays up to 60W.
Solar Panel, 12V 5W, w/Mounting Bracket	<b>201</b>	Solar panel, 12V 5W, includes mounting bracket.
Solar Panel, 12V 10W, w/Mounting Bracket	<b>210</b>	Solar panel, 12V 10W, includes mounting bracket.
Solar Panel, 12V 20W, w/Mounting Bracket	<b>212</b>	Solar panel, 12V 20W, includes mounting bracket.
Solar Panel, Bracket, Mounting, 30W - 60W	<b>10046890</b>	Mounting bracket for 12V 30W to 60W solar panels.
Solar Panel, Bracket, Mounting, 5W - 20W	<b>208</b>	Mounting bracket for 12V 5W to 20W solar panels.
Switch, Push Button, Control Box	<b>1119</b>	Push button switch for 11111B or 11111C control box.
Tab, Replacement	<b>10020915</b>	Zinc plated replacement tab for 11111B, 11111C, CBOX.
Transformer, ACBOX	<b>MX4859</b>	Replacement AC transformer for use with ACBOX controller enclosure.
Transmitter, MegaCode, 1-button	<b>DNT00091</b>	1-button MTS3 MegaCode visor transmitter.
ransmitter, MegaCode, 3-button	<b>DNT00093</b>	3-button MTS3 MegaCode visor transmitter.
Transmitter, Remote, Era One, Bi-Directional Long Range, LoRa	<b>ON3ELR/A</b>	Era One bi-directional long range remote transmitter with LoRa technology, 433.92 MHz, red fascia.
Transmitter-Receiver Kit, LoRa Technology	<b>ONELRKIT/A</b>	Includes 2 Era One bi-directional long range transmitters (ON3ELR/A), 1 OXI bi-directional receiver (OXILR/A), and 1 relay adapter (OX2UBP) to use with non-OXI port controllers.
Tube, Assembly, 912L	<b>SPAMG206A00</b>	912L rod assembly, includes cover tube and extension tube for TITAN12L/12L1.

## Vanguard 3501 Swing

**See the gate, not the opener.** Articulating arm and post-mount design blends seamlessly and elegantly with the gate for quiet operation.



**Powerful:** Moves up to a 1,000 lbs and 20 ft gate leaf.



**Low maintenance:** Easy to install and maintain.



**Durable:** Newly redesigned corrosion resistant cover and long-lasting components.



**Quiet:** Smooth, low-friction motor ensures near-noiseless operation.



**Safe:** Offset pivot arm reduces the possibility of pinching.



**Flexible:** AC or Solar power options.



**Technology:** Nice BlueBUS 2-wire system self-identifies monitored photo eyes.



**Design:** Low profile, post mount design allows for compact installation.



**Made in USA:** Designed, tested, and built within USA from globally sourced materials.

Vanguard 3501 articulating arm for residential, farm and ranch swing gates. 12VDC battery powered, AC or Solar. Open up to 1000 lb/20 ft gate leaf in approximately 20 seconds. Model operates with Mercury 310 controller. Operator includes chassis, articulating arm and CBOX with Mercury 310 controller, plus OXI receiver.

Note: Battery and battery charger or solar panel required for operation, not included.



## Technical Specifications

Model	Vanguard 310 Swing
Operator Kit	Single: CBOX310 control box, CH35-1 drive chassis, ABOX35 arm kit Twin: CBOX310 control box, CH35-1 and CH35-2 drive chassis, two ABOX35 arm kits
Duty Cycle	Varies based on charging capacity*
Drive	Electromechanical
Gate Length Max.	up to 20 ft leaf (6 m)
Gate Weight Max.	up to 1,000 lb leaf (272 kg)
Open/Close Time (to 90°)	~20 seconds
Temperature Rating	-4° to 122° F (-20° to 50° C)
Operating Voltage	12VDC
Input Voltage	18VDC to 24VDC
Idle Current	<10mA
Accessory Power	12V 500mA always on (2 locations) 12V 500mA standby off (2 locations)
Included Accessories	OXIMGC/A receiver, MTS3 transmitter, one set of BlueBUS reflective photo eyes
Communication	BlueBUS, USB port, OXI, 433MHz remote
User Controls	Mercury 310 board
Relays	N/A
Arm Dimensions	ABOX35: Primary: 36 inches total length; Secondary: 38.5 inches total length
Enclosure	CBOX: 18w x 18h x 8d inch (45.7w x 45.7h x 20.3d cm) Chassis: 17.8w x 12h x 8.3d inch (45.2w x 30.5h x 21d cm)
Finish	Powder coated steel chassis; molded polyethylene cover
ETL Listed (UL 325)	Usage Class I, II
Warranty	3 year w/product registration

\*If the operator is AC powered, the battery, if present, (not included or required) will be a backup for when AC power is lost.  
If the operator is solar powered, battery and 12V solar panel are required (not included).  
The Mercury 310 control board is equipped with an internal battery charger.

## Vanguard 3501 Swing Models

Model	Part Number	Description	Weight (lbs)	Dimensions	Freight Class
Apollo 35-1	<b>O-35-1</b>	Chassis and arm, primary operator. Chassis kit includes CHBOX35 chassis, ABOX35 arm and 12 ft harness for Vanguard 3501 Swing.	74	19"w x 17"d x 10"h	60
Apollo 35-2	<b>O-35-2</b>	Chassis and arm, secondary operator. Chassis kit includes CHBOX35 chassis, ABOX35 arm and 42 ft harness, add to Vanguard 3501 Swing for dual gate applications.	78	19"w x 17"d x 10"h	60
Apollo 3501 Swing	<b>O-3501</b>	Operator includes articulating arm and CBOX with Mercury 310 Controller, plus OXIMGC/A receiver, MTS3 transmitter.	118	40"w x 48"d x 32"h	60

## Vanguard 3501 Swing Parts and Accessories

Part Name	Part Number	Description
Adapter, OXI receiver to relay	<b>OX2UBP</b>	Universal adapter that converts any Nice receiver with the OXI form factor to work with any gate operator through a relay output. Works with 12-24V AC or DC input power.
Antenna, Directional, 433.92 MHz	<b>ABF/A</b>	Adjustable whip antenna with mounting bracket, removable terminal block and 10 ft coaxial cable for Nice 433. 92 MHz receivers.
Arm Adjuster, Vanguard 3501	<b>10021790</b>	Arm adjuster for Vanguard 3501.
Arm Assembly, Vanguard 3501	<b>ABOX35</b>	Arm assembly for Vanguard 3501.
Battery Charger, 1.5A	<b>404C</b>	Automatic battery charger/maintainer, 1.5A maximum output, requires 120VAC.
Bearing, Flange, 4-bolt, 1 1/4	<b>72510000</b>	Crankshaft bearing, 1.25 inch shaft, 4 bolt flange, StrongArm (HTG 320). Also used in Vanguard 3501.
Box, Control, CBOX, No Controller	<b>11111B</b>	11111B metal control box, 18w x 18h x 8d, no controller, includes push button and key switch with 2 keys, and lid.
Bracket Retrofit Kit, Mercury 310	<b>MX5196</b>	Bracket kit to mount Mercury 310 into CBOX enclosure.
Bracket, Gate Attach Kit, 3501	<b>10021290</b>	Gate attach bracket kit for ABOX35, includes hardware.
Bracket, Post Mount	<b>10038315</b>	Post mount plate bracket for 3501.
Bracket, Retrofit Kit, for 1050 Controller	<b>10055090</b>	Retrofit brackets, for mounting the 1050 controller in 11111B control boxes.
Brush Set	<b>71020045</b>	Brush set (Telco), 2 brushes for 3501.
Bumper, Rubber	<b>3398</b>	Rubber bump stop for gate.
Cable, 7 wire (per foot)	<b>A2040</b>	7 wire (per foot) cable.
Chain, #50, 13 Pitches, w/Master Link	<b>MX5622</b>	Chain #50, 13 Pitches, with master link.
Collar and Magnet	<b>10021490</b>	Limit collar and magnet assembly for 3501.
Collar, Insert, Primary Arm	<b>10045790</b>	Primary Arm Collar Insert.
Controller, Mercury 310	<b>MX4920</b>	Mercury 310 Controller for single or dual applications, UL325 7th Edition Compliant.
Cover, Plastic, New	<b>MX4774</b>	Black plastic cover, replacement for Vanguard 3501 Swing operator chassis.
Cover, Vanguard 3501, Retro-Fit Kit	<b>MX4805</b>	Includes everything you need to retrofit existing Vanguard 3501 installed units to a great new, modern look.
Detector, Probe, 12V	<b>217</b>	Exit probe kit, 12V, includes probe and controller.

## Vanguard 3501 Swing Parts and Accessories

Part Name	Part Number	Description
Edge Channel, 10 ft	<b>MX4219-03</b>	Aluminum channel, mounts low and high profile edge sensors, 10 ft.
Edge Channel, 5 ft	<b>MX4219-02</b>	Aluminum channel, mounts low and high profile edge sensors, 5 ft.
Edge Sensor Assembly, Channel Mount, High Profile	<b>AS1502-0440-05</b>	High profile channel mount ASO edge sensor, preassembled with end caps and aluminum mounting channel, 5 ft, 1 x 1.75 inch (1.5 m, 25 x 45 mm).
Edge Sensor Assembly, Channel Mount, Low Profile	<b>AS1502-0430-05</b>	Low profile channel mount ASO edge sensor, preassembled with end caps and aluminum mounting channel, 5 ft, 1 x 1.25 inch (1.5 m, 25 x 30 mm).
Edge Sensor Assembly, Wraparound, Round	<b>AS1501-0760</b>	Round ASO wraparound edge sensor for use on 2 inch diameter pole. Three contact surfaces for sensing contact in any direction. 5 ft x 2 inch (1.5 m x 51 mm).
Edge Sensor Assembly, Wraparound, Square	<b>AS1501-0790</b>	Square ASO wraparound edge sensor for use on 2 inch square pole. Three contact surfaces for sensing contact in any direction. 5 ft x 2 inch (1.5 m x 51 mm).
Edge Sensor Roll, Channel Mount, High Profile, 82 ft	<b>AS1502-0440</b>	High profile channel mount ASO edge sensor, 82 ft roll x 1 x 1.75 inch (25 m x 25 x 45 mm) Used to create custom length edge sensors. Purchase channel and two end cap types to complete system.
Edge Sensor Roll, Channel Mount, Low Profile, 82 ft	<b>AS1502-0430</b>	Low profile channel mount ASO edge sensor, 82 ft roll x 1 x 1.25 inch (25 m x 25 x 30 mm). Used to create custom length edge sensors. Purchase channel and two end cap types to complete system.
End Cap, Edge, High Profile, 10k	<b>AS1804-1630</b>	Replacement end cap for high profile ASO edge sensor, with 10k resistive termination, 1 x 1.75 inch (25 x 44 mm).
End Cap, Edge, High Profile, No Resistor	<b>AS1804-0490</b>	Replacement end cap for ASO edge sensor without resistive termination to make a non-monitored edge to function with pre-2016 operators, 1 x 1.75 inch (25 x 44 mm).
End Cap, Edge, High Profile, Wire Leads	<b>AS1804-0650</b>	Replacement end cap for high profile ASO edge sensor, with wire leads, 1 x 1.75 inch (25 x 44 mm).
End Cap, Edge, Low Profile, 10K	<b>AS1804-1620</b>	Replacement end cap for low profile ASO edge sensor, with 10k resistive termination, 1 x 1.25 inch (25 x 32 mm).
End Cap, Edge, Low Profile, No Resistor	<b>AS1804-0480</b>	Replacement end cap for ASO edge sensor without resistive termination to make a non-monitored edge to function with pre-2016 operators, 1 x 1.25 inch (25 x 32 mm).
End Cap, Edge, Low Profile, Wire Leads	<b>AS1804-0640</b>	Replacement end cap for low profile ASO edge sensor, with wire leads, 1 x 1.25 inch (25 x 32 mm).
Gearmotor Assembly, Vanguard 3501	<b>MX5240</b>	Gearmotor assembly for Vanguard 3501.
Harness, 7 wire, 12 ft, no connector	<b>A2094</b>	Harness, 7 wire, 12' overall length, no connector, for motors used with 936 or 1050 series and Mercury 310 controller.

## Vanguard 3501 Swing Parts and Accessories

Part Name	Part Number	Description
Harness, 7 wire, 42 ft, no connector	<b>A2095</b>	Harness, 7 wire, 42' overall length, no connector, for motors used with 936 or 1050 series and Mercury 310 controller.
Key Switch, Single Pole	<b>1115</b>	Single pole key switch for 11111B or 11111C control box, includes 2 keys.
Keypad, wired	<b>ACP00748</b>	Linear AK-11 Access Keypad.
Exterior Keypad, MegaCode, Wireless	<b>ACP00878</b>	Wireless MegaCode MDKP keypad.
Limit Block	<b>10024190</b>	Limit switch block, with limit switches, for 3501.
Limit, Sub Assembly, 3501	<b>10058890</b>	Limit assembly, includes bracket, limit switch block, terminal block, for 3501 operator.
OVBt, Bluetooth Module	<b>OVBt</b>	Bluetooth connection module for Oview interface.
Photo Eye w/BlueBUS, Reflective, Adjustable, Large	<b>EPMORB/A</b>	Reflective photo eye with Nice BlueBUS communications technology. Adjustable optics are positionable to 30° in large size housing. Requires BlueBUS enabled controller. For use with Mercury 310/1050/XBA3/BCU1 and SmartCNX, SmartTouch 725 controllers.
Photo Eye w/BlueBUS, Through-Beam, Adjustable	<b>EPMOB/A</b>	Through-beam photo eye with Nice BlueBUS communications technology. Adjustable optics are positionable to 30° in medium size housing. Requires BlueBUS enabled controller. For use with the 1050/XBA3/BCU1/SmartCNX, SmartTouch 725 and Mercury 310 controllers.
Photo Eye w/BlueBUS, Through-Beam, Adjustable, Large	<b>EPLOB/A</b>	Through-beam photo eye with Nice BlueBUS communications technology. Adjustable optics are positionable to 30° in large size housing. Requires BlueBUS enabled controller. For use with the 1050/XBA3/BCU1 and SmartCNX, SmartTouch 725 Controllers.
Photo Eye w/BlueBUS, Through-Beam, Non-Adjustable	<b>EPMB/A</b>	Through-beam photo eye with Nice BlueBUS communications technology and medium size housing. Requires BlueBUS enabled controller. For use with the 1050/XBA3/BCU1 and SmartCNX, SmartTouch 725 Controllers.
Photo Eye w/BlueBUS, Through-Beam, Non-Adjustable, Metal	<b>EPMAB/A</b>	Through-beam photo eye with Nice BlueBUS communications technology and solid, durable, medium size cast metal alloy housing. Requires BlueBUS enabled controller. For use with the 1050/XBA3/BCU1/SmartCNX, SmartTouch 725 and Mercury 310 controllers.
Programming unit for device BUS T4 connection	<b>OVIEW/AR01</b>	Unit for control, programming and diagnostics for devices equipped with BUST4 connection, for use with 1050 or XBA3 controllers Note: Firmware updates on 1050 and XBA3/U controllers require the OVIEW/A and the OVBt.
Receiver, OXI, Long Range with LoRa Technology	<b>OXILR/A</b>	OXI bi-directional long range receiver, 433.92 MHz, 1024 codes with LoRa Technology, red fascia.

## Vanguard 3501 Swing Parts and Accessories

Part Name	Part Number	Description
Receiver, OXI, MegaCode	<b>OXIMGC/A</b>	OXI MegaCode 318MHz receiver. Compatible with HomeLink.
RTE Unit, Wireless, Button	<b>MX5152</b>	Remote exit button, for use with gooseneck stand on secure side of a gate.
Signs, Moving Gate Warning, English	<b>MX3193-01</b>	Two UL 325 moving gate warning signs, English, 8.5 x 11 inch aluminum, includes 8 zip ties.
Solar Charge Regulator	<b>SG-4</b>	Solar charge regulator for 12V solar arrays up to 60W.
Solar Panel, 12V 5W, w/Mounting Bracket	<b>201</b>	Solar panel, 12V 5W, includes mounting bracket.
Solar Panel, 12V 10W, w/Mounting Bracket	<b>210</b>	Solar panel, 12V 10W, includes mounting bracket.
Solar Panel, 12V 20W, w/Mounting Bracket	<b>212</b>	Solar panel, 12V 20W, includes mounting bracket.
Solar Panel, Bracket, Mounting, 30W - 60W	<b>10046890</b>	Mounting bracket for 12V 30W to 60W solar panels.
Solar Panel, Bracket, Mounting, 5W - 20W	<b>208</b>	Mounting bracket for 12V 5W to 20W solar panels.
Switch, Push Button, Control Box	<b>1119</b>	Push button switch for 11111B or 11111C control box.
Tab, Replacement	<b>10020915</b>	Zinc plated replacement tab for 11111B, 11111C, CBOX.
Toggle Switch Assembly, Vanguard 3501	<b>10024290</b>	Toggle switch assembly for Vanguard 3501.
Torque Limiter, Vanguard 3501	<b>10040690</b>	Torque Limiter for Vanguard 3501.
Transmitter, MegaCode, 1-button	<b>DNT00091</b>	1-button MTS3 MegaCode visor transmitter.
Transmitter, MegaCode, 3-button	<b>DNT00093</b>	3-button MTS3 MegaCode visor transmitter.
Transmitter, Remote, Era One, Bi-Directional Long Range, LoRa	<b>ON3ELR/A</b>	Era One bi-directional long range remote transmitter with LoRa technology, 433.92 MHz, red fascia.
Transmitter-Receiver Kit, LoRa Technology	<b>ONELRKIT/A</b>	Includes 2 Era One bi-directional long range transmitters (ON3ELR/A), 1 OXI bi-directional receiver (OXILR/A), and 1 relay adapter (OX2UBP) to use with non-OXI port controllers.

## Parts and accessories for slide and swing gate operators

Just a few of the many accessories available. See operator parts section for more.



### THRU BEAM

Photo Eye Kit

Part Number: EPMOB/A



### MEGACODE WIRELESS KEYPAD

Part Number: ACP00878



### OVIEW PROGRAMMING UNIT

Part Number: OVIEW/AR01



### 1-BUTTON MEGACODE VISOR TRANSMITTER

Part Number: DNT00091



### 3-BUTTON MEGACODE VISOR TRANSMITTER

Part Number: DNT00093



### LORA TRANSMITTER/RECEIVER KIT

Part Number: ONELRKIT/A



### BATTERY CHARGER

Part Number: 404C



### ASO EDGE SENSORS

Part Number: Multiple (please see table (link to page) for options)



### OXI MEGACODE RECIEVER

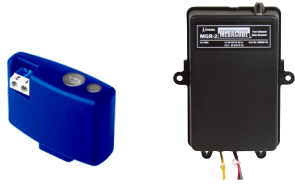
Part Number: OXIMGC/A



### 12V 10W SOLAR PANEL

(20W, 30W and 40W also available)  
Part Number: 210

## Parts and accessories for slide and swing gate operators



### UNIVERSAL AND SINGLE-CHANNEL RECEIVERS

Choose either the OXIMGC/A or MGR MegaCode receiver. Both offer a unique receiver output that can be associated to each transmitter key.



### GIVE YOURSELF AN *EDGE*

These highly engineered, simple and rugged ASO edge sensors give installers and their customers peace of mind. They're incredibly easy to install, withstand typical rough shipment and installation handling, don't short due to water absorption, and they keep performing under the most severe climate and site conditions.



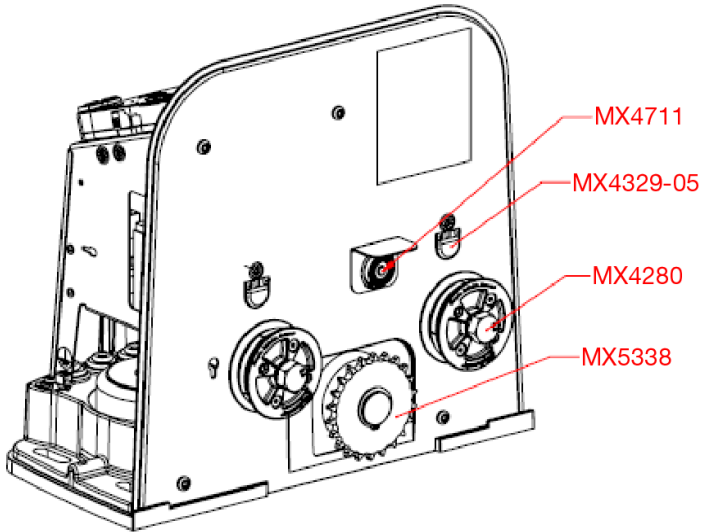
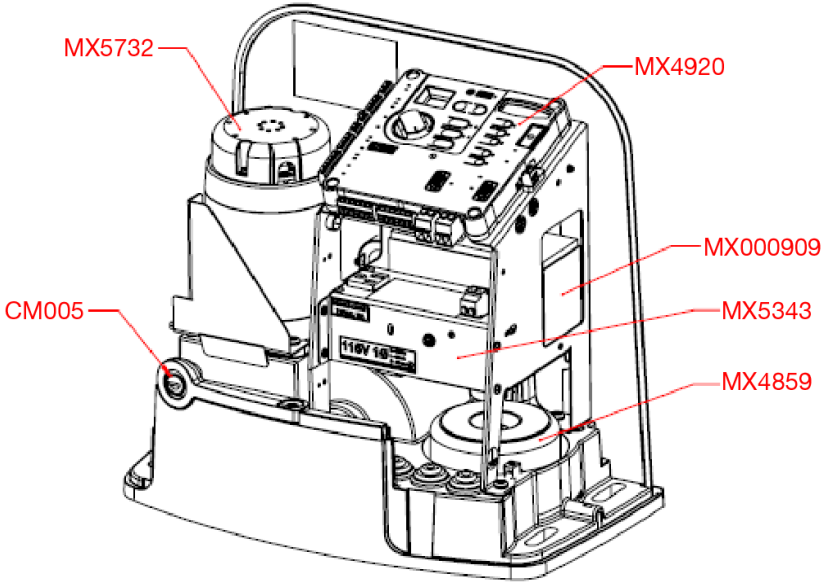
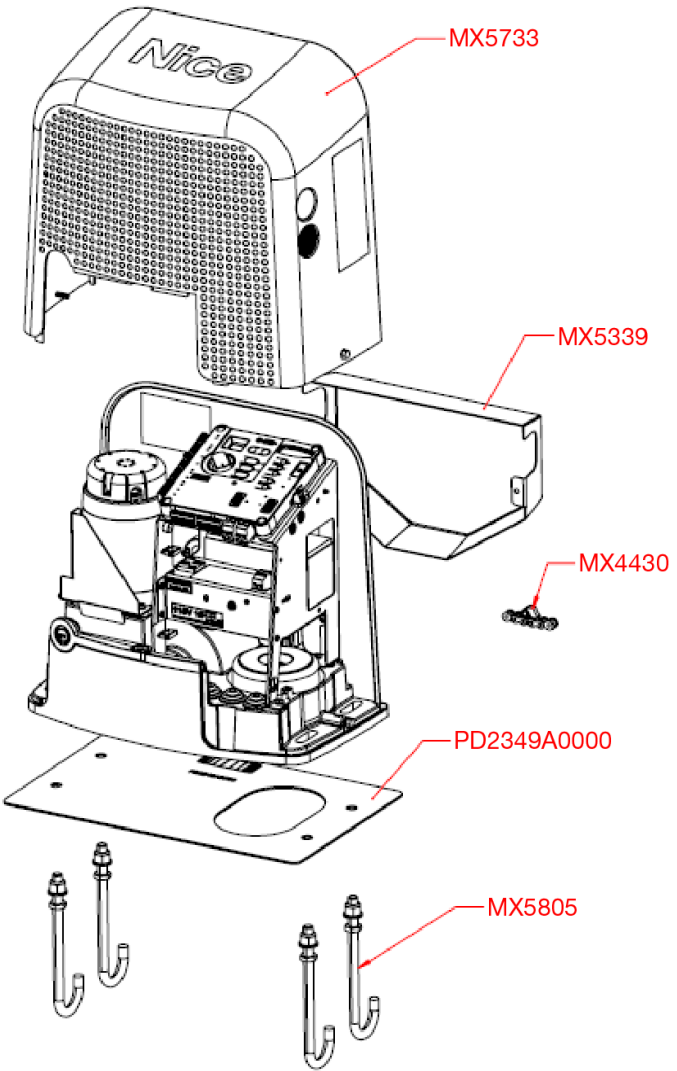
### MEGACODE TRANSMITTERS

The OXIMGC/A and MGR receivers are compatible with the line of visor and keychain MegaCode transmitters.

# Parts Diagrams

<b>Juno Parts Diagram .....</b>	<b>39</b>	<b>Apollo Linear Actuator Parts Diagram .....</b>	<b>47</b>
Replacement Parts List.....	40	Apollo 816 Actuator Replacement Parts List.....	47
<b>PRO-SL2000B/SL2200B Parts Diagram .....</b>	<b>41</b>	<b>TITAN Linear Actuator Parts Diagram .....</b>	<b>48</b>
Replacement Part Kits .....	41	TITAN 912 Actuator Replacement Parts List.....	48
<b>7251/7351 Slide Parts Diagram .....</b>	<b>42</b>	<b>Vanguard 3501 Swing Parts Diagram .....</b>	<b>49</b>
7251/7351 Replacement Parts List .....	42	Vanguard 3501 Replacement Parts List.....	49
<b>PRO-SW3000/3200XLS Parts Diagram .....</b>	<b>43</b>	<b>CBOX with Mercury 310 Controller.....</b>	<b>50</b>
PRO-SW3000/3200XLS Replacement Parts List.....	43	CBOX and Controller Replacement Parts List.....	50
PRO-SW3000XLS Control Box Parts List .....	43	<b>ACBOX Parts Diagram .....</b>	<b>51</b>
PRO-SW3000XLS Control Box Parts List .....	44	ACBOX Replacement Parts List.....	51
<b>PRO-SW4000/4200XLS Parts Diagram .....</b>	<b>45</b>		
PRO-4000/4200XLS Replacement Part Kits.....	45		
PRO-SW4000XLS Control Box Parts Lists .....	45		

# Juno Parts Diagram



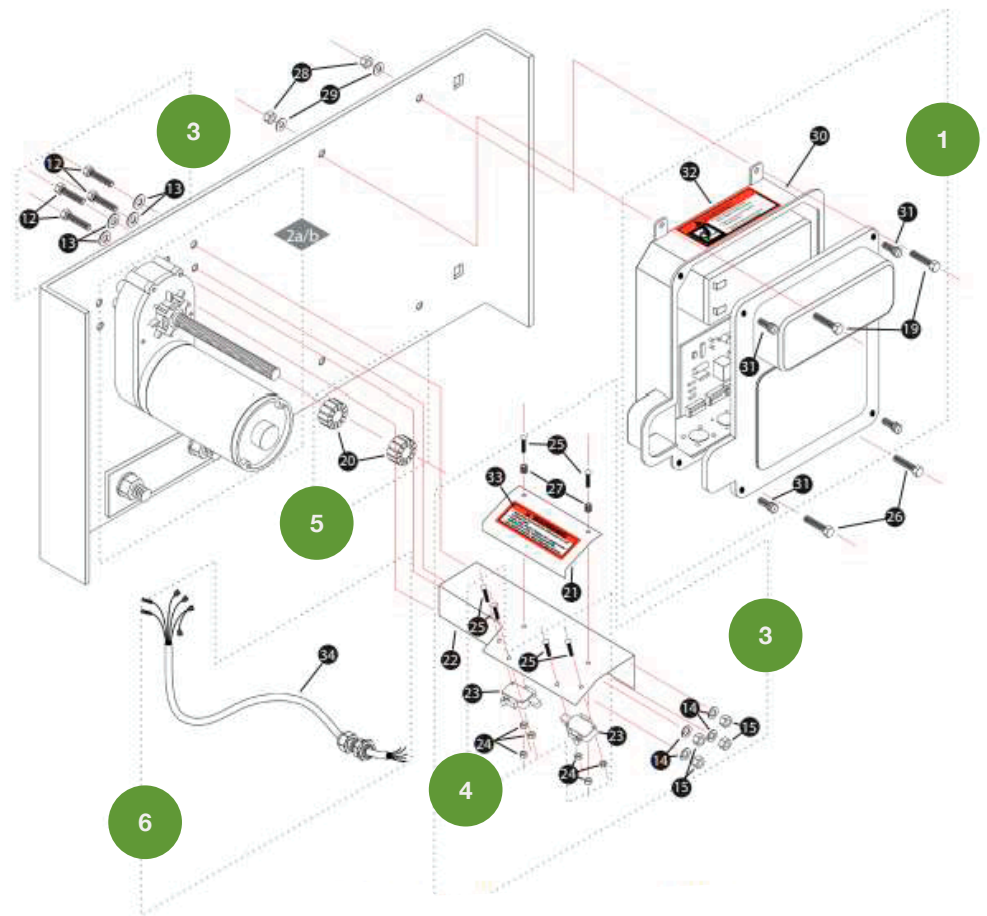
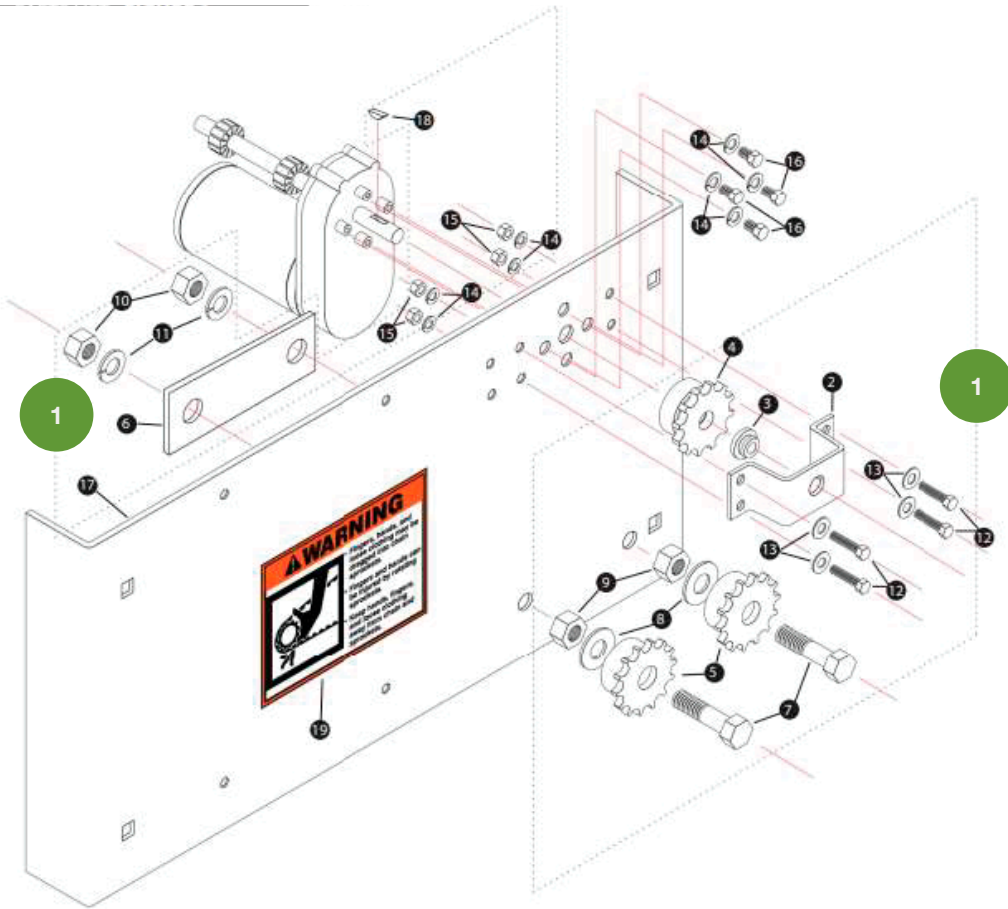
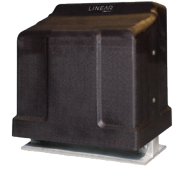
# Juno Parts Diagram



## Replacement Parts List

Part Number	Description
MX5733	Juno cover assembly
MX5339	Juno chain cover
MX4430	Target magnet assembly
PD2349A0000	Juno foundation plate
MX5805	Juno anchor hardware kit
MX5732	Juno motor assembly
CM005	Juno lock and key assembly
MX4920	Mercury 310 control board
MX000909	12VDC, 8AH battery
MX5343	Juno power supply assembly
MX4859	Transformer
MX4711	Alarm/buzzer
MX4329-05	Target magnet sensor
MX4280	Idler assembly
MX5338	Main drive sprocket

# PRO-SL2000B/SL2200B Parts Diagram



## Replacement Part Kits

(Individual parts not available)

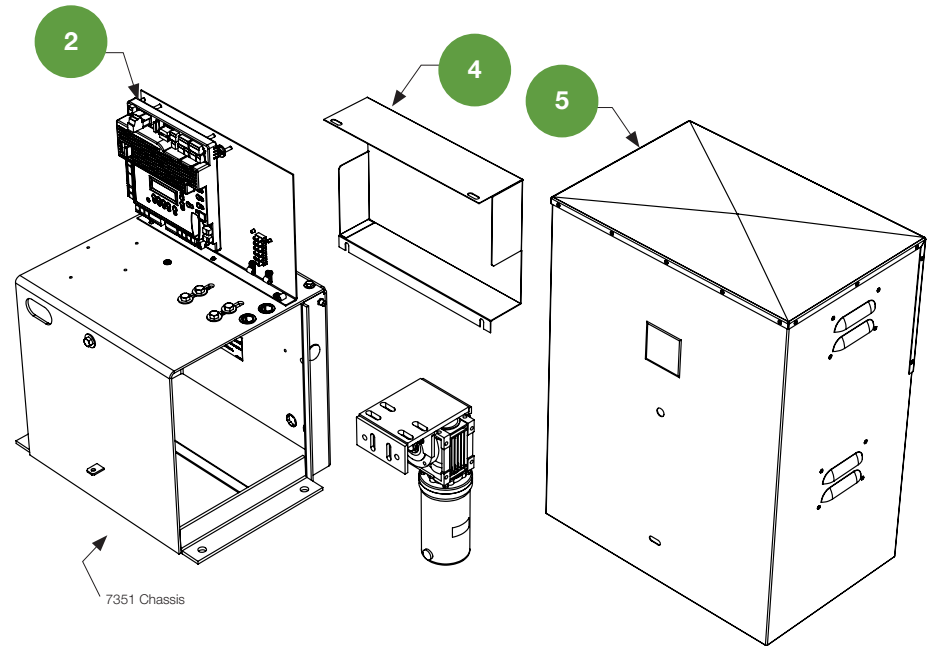
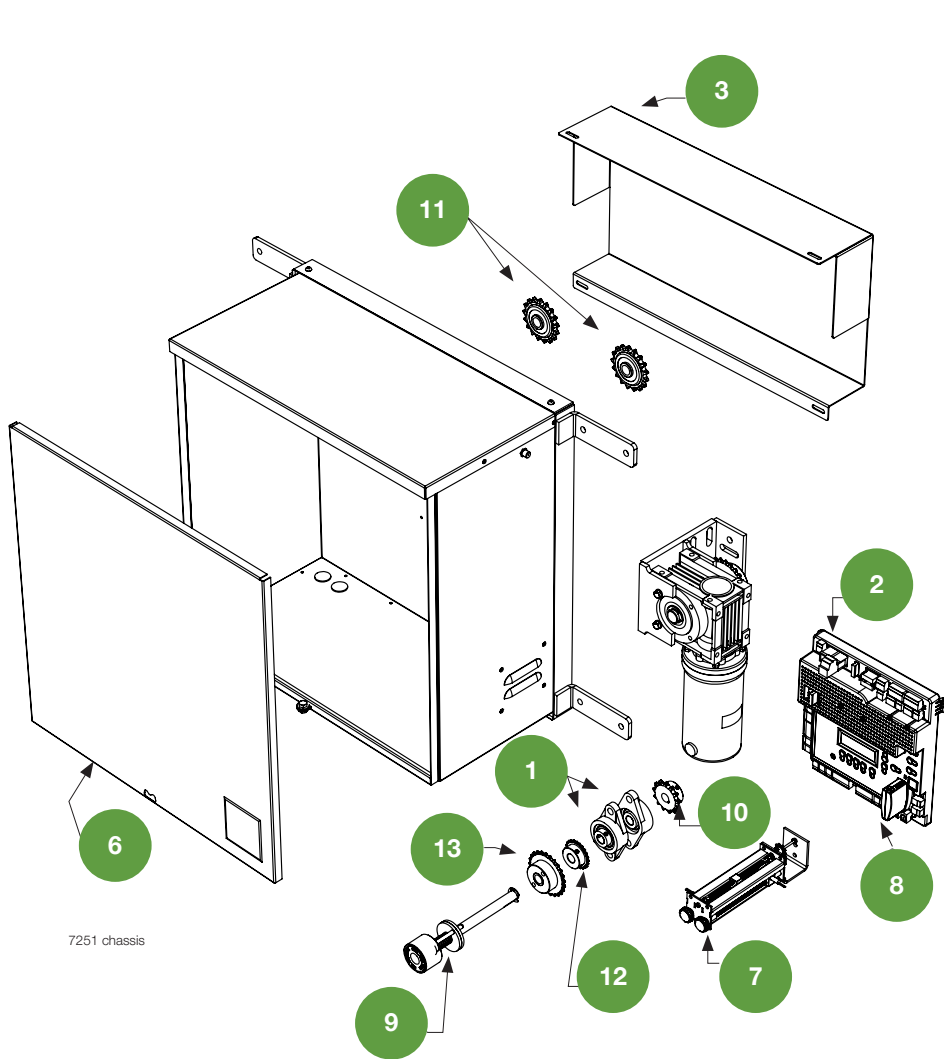
Item Number	Part Number	Description	Parts Included
1	<b>R4423</b>	DC Slider Sprocket Assembly Kit	2, 3, 4, 5, 6, 7, 8, 9, 10, 11, 12, 13, 14, 15, 18
2b	<b>RB205B</b>	Gear Motor with Brake (SL2000B/SL2200B)	Gear Motor, 18

## Replacement Part Kits

(Individual parts not available)

Item Number	Part Number	Description	Parts Included
4	<b>R4421</b>	DC Slider Limit Switch Kit (includes 2 switches and mounting hardware)	23, 24, 25

# 7251/7351 Slide Parts Diagram

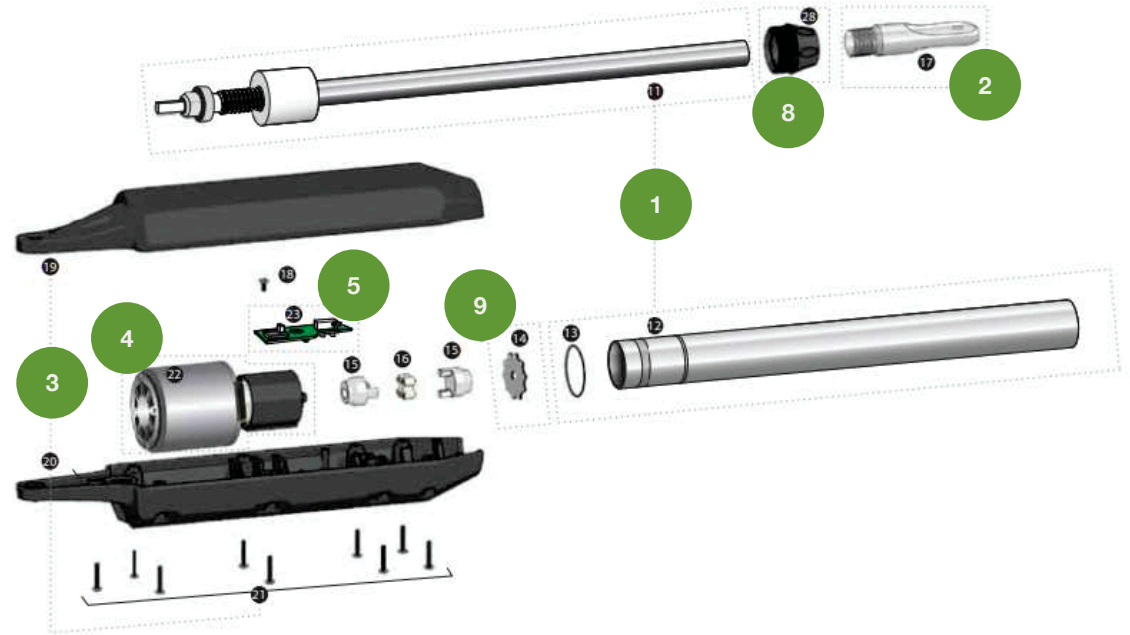
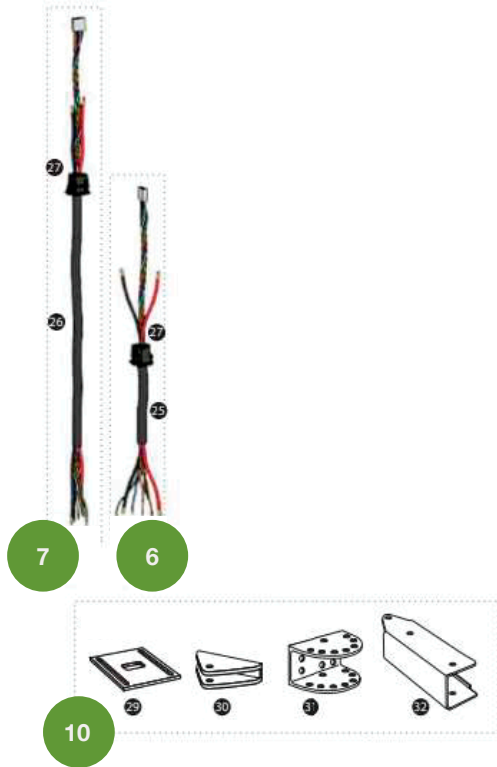


## 7251/7351 Replacement Parts List

Item Number	Part Number	Description	7251/7351 Models
1	UCFL202	Bearing, Flange	all
2	1050US	Board, Control, 1050	all
3	10032590	Chain Cover, 7251	7251
4	10030590	Chain Cover, 7351	7351
5	10030490	Cover, 7351	7351
6	10053890	Lid, Control Box	7251
7	10040390	Limit Sub Assembly	all
8	OXIBD/A	Receiver, OXI, Multi Channel	all
9	10039790	Release, Quick	all
10	40BS13	Sprocket, Drive, #40 Chain, 13 Tooth	all
11	40BB17H	Sprocket, Idler	all
12	25B24	Sprocket, Limit, Quick Release	all
13	35B25	Sprocket, Quick Release	all

This drawing is a representation and should be used for parts reference only.

# PRO-SW3000/3200XLS Parts Diagram



## PRO-SW3000/3200XLS Replacement Parts List

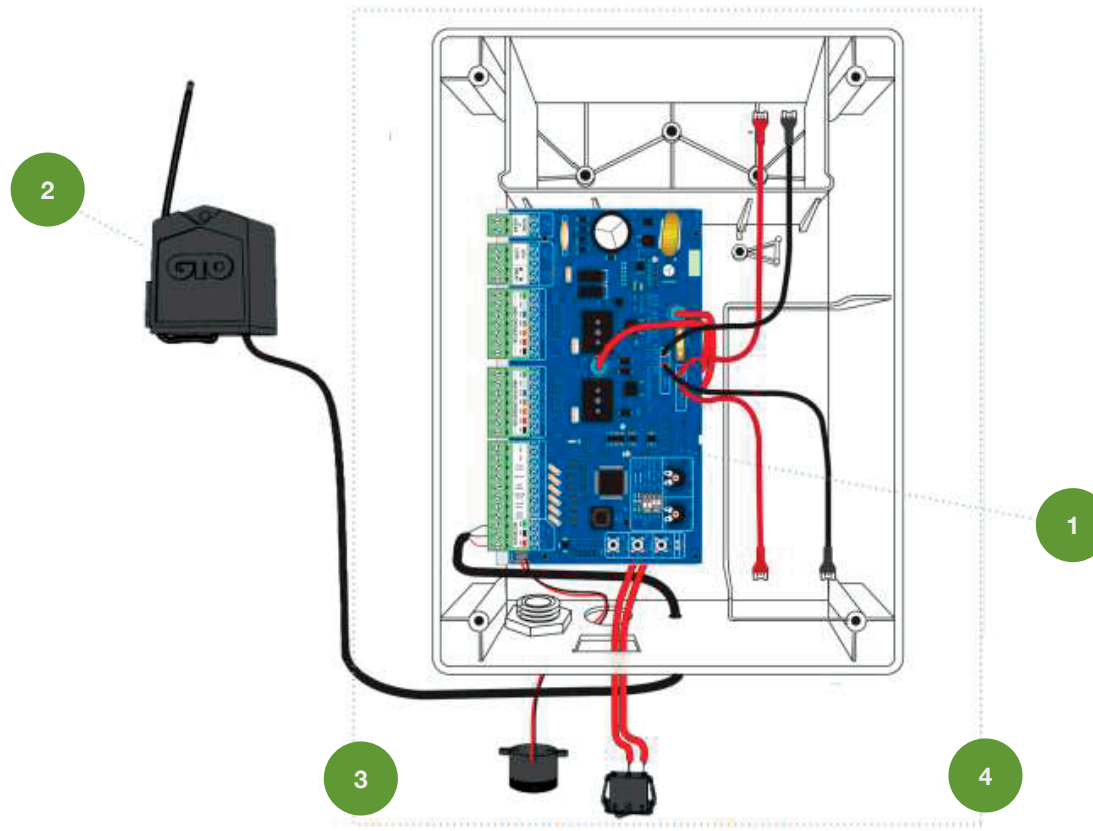
(individual parts not available)

Item Number	Part Number	Description	Parts Included
2	R4886	Front Mount Repair Kit 3000XLS	17
3	R4414	Aluminum Housing Kit 3000XLS	19, 20, 21
5	R4918	Magnetic Rev Counter Board 3000XLS	23
6	R4887	Power Cable Kit 3000XLS 6'	25, 27
7	R4889	Power Cable Kit 3200XLS 40'	26, 27
8	R4708	Scraper Seal Kit 3000XLS	28
9	R4880	Magnetic Rev Counter Wheel 3000XLS	14

## PRO-SW3000XLS Control Box Parts List

Item Number	Part Number	Description
1	R5211	3 Gen Dual w/Plug Control Board
2	AQ201 - NB	Narrow Band receiver and 10' Cable
3	R5501	Empty control Box Less #1,2,3,4
4	R5500	Loaded Control Box for 3000XLS/3200XLS/4000XLS/4200XLS

# PRO-SW3000/3200XLS Parts Diagram

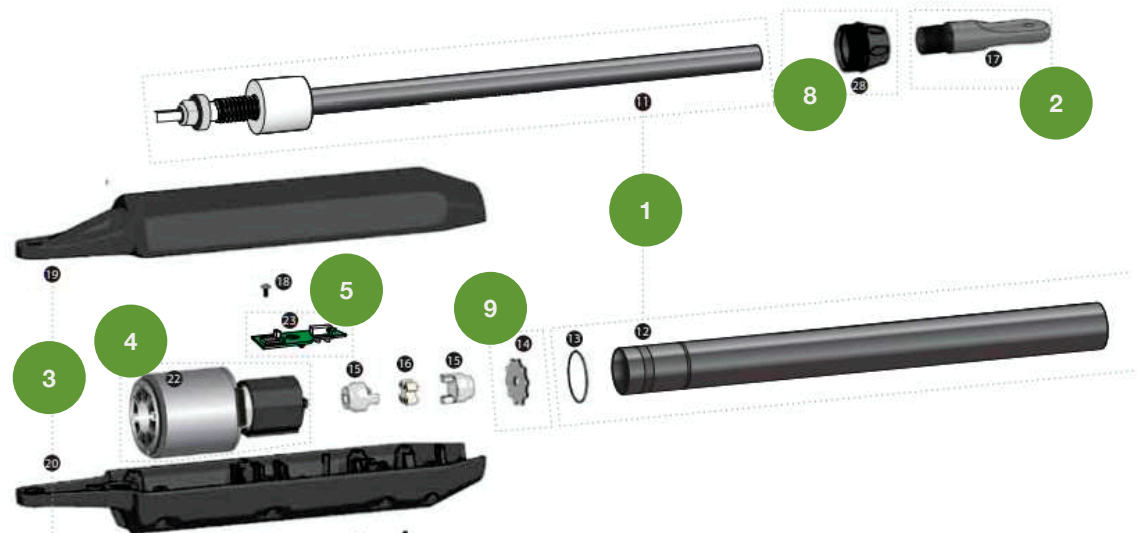
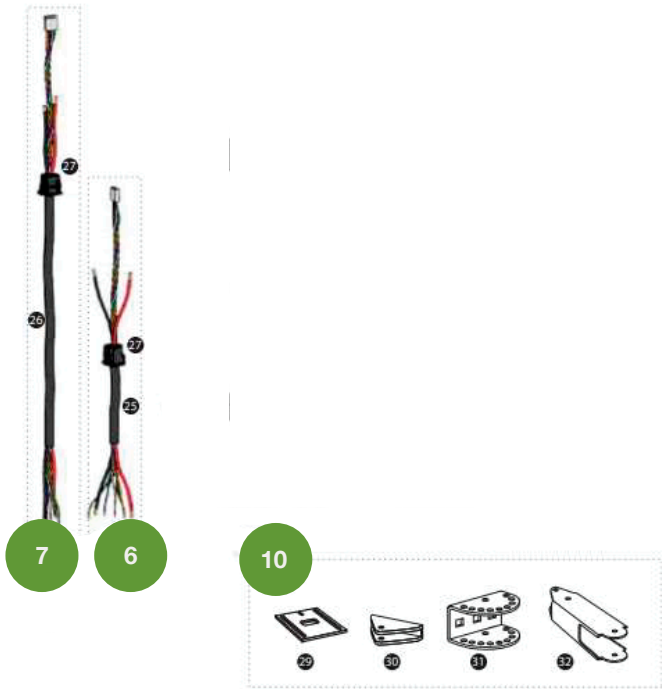


This drawing is a representation and should be used for parts reference only.

### PRO-SW3000XLS Control Box Parts List

Item Number	Part Number	Description
1	R5211	3 Gen Dual w/Plug Control Board
2	AQ201 - NB	Narrow Band receiver and 10' Cable
3	R5501	Empty control Box Less #1,2,3,4
4	R5500	Loaded Control Box for 3000XLS/3200XLS/4000XLS/4200XLS

# PRO-SW4000/4200XLS Parts Diagram



## PRO-4000/4200XLS Replacement Part Kits

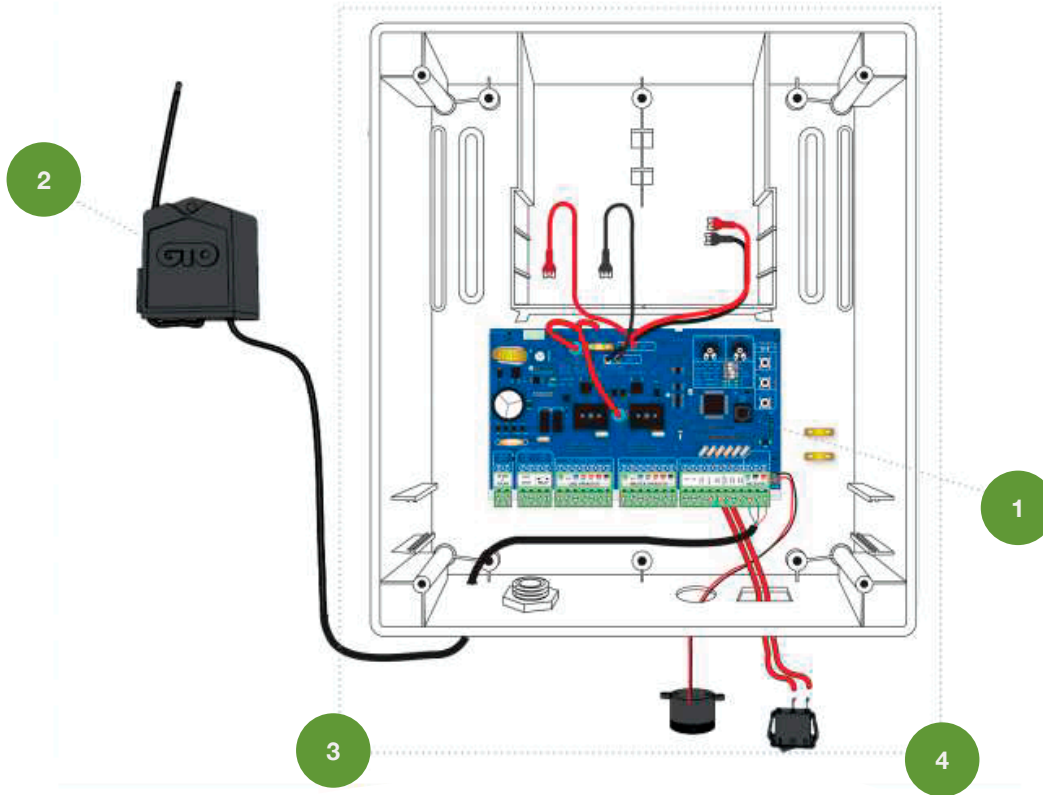
(individual parts not available)

Item Number	Part Number	Description	Parts Included
5	R4918	Magnetic Rev counter Board 4000XLS	23
6	R4887	Power Cable Kit 4000XLS 6'	25,27
7	R4889	Power Cable Kit 4200XLS 50'	26,27
8	R4708	Scraper Seal Kit 4000XLS	28
9	R4880	Magnetic Rev Counter Wheel 4000XLS	14
10	HB4000	Bracket Box	29,30, 31, 32

## PRO-SW4000XLS Control Box Parts Lists

Item Number	Part Number	Description
1	R5211	3 Gen Dual w/Plug Control Board
2	AQ201 - NB	Narrow Band receiver and 10' Cable
3	R5501	Empty control Box Less #1,2
4	R5500	Loaded Control Box for 3000XLS/3200XLS/4000XLS/4200XLS

# PRO-SW4000/4200XLS Parts Diagram

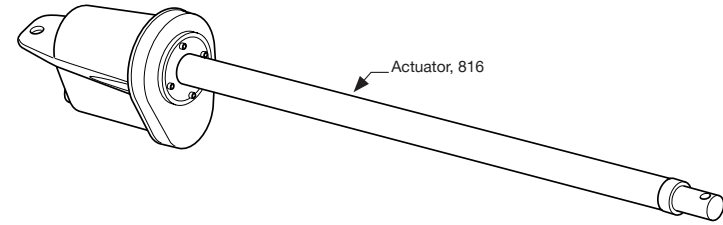
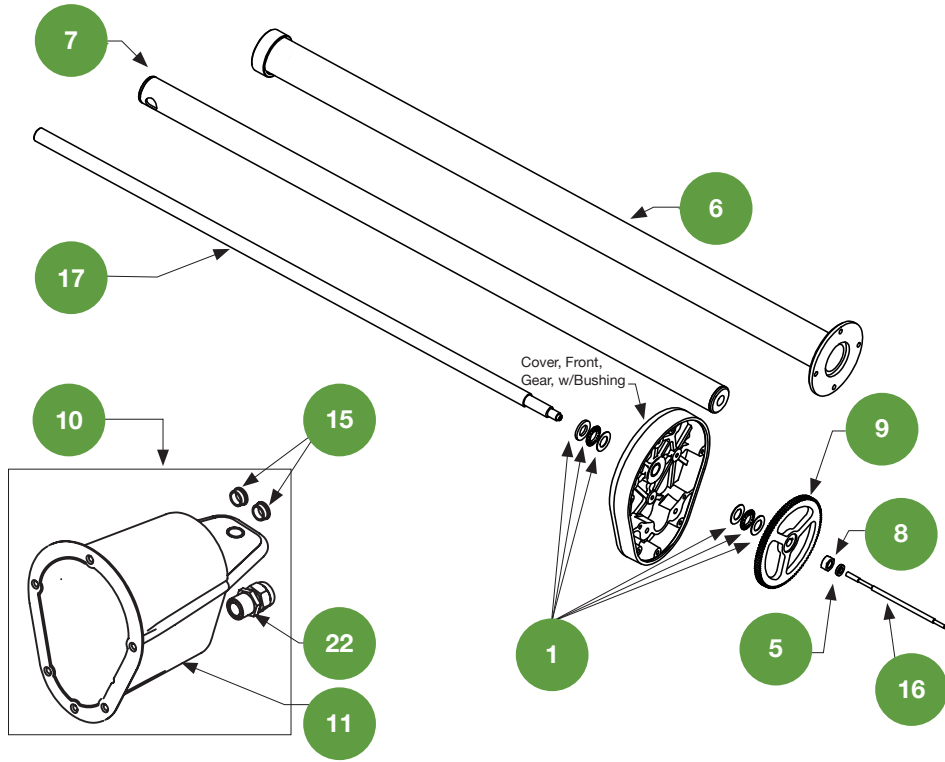


This drawing is a representation and should be used for parts reference only.

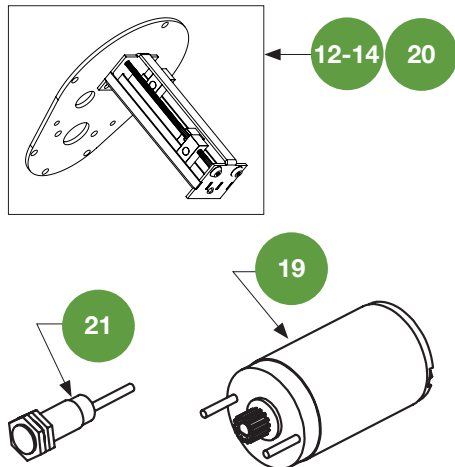
### PRO-SW4000XLS Control Box Parts Lists

Item Number	Part Number	Description
1	R5211	3 Gen Dual w/Plug Control Board
2	AQ201 - NB	Narrow Band receiver and 10' Cable
3	R5501	Empty control Box Less #1,2
4	R5500	Loaded Control Box for 3000XLS/3200XLS/4000XLS/4200XLS

# Apollo Linear Actuator Parts Diagram



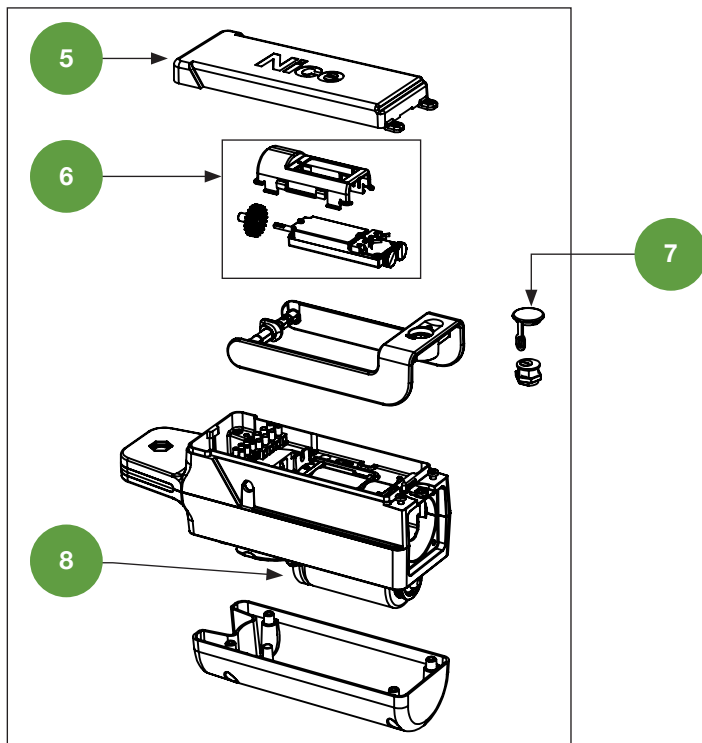
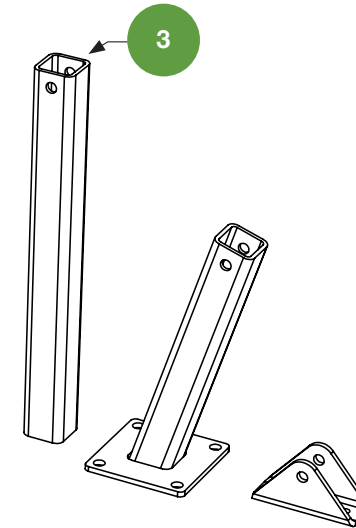
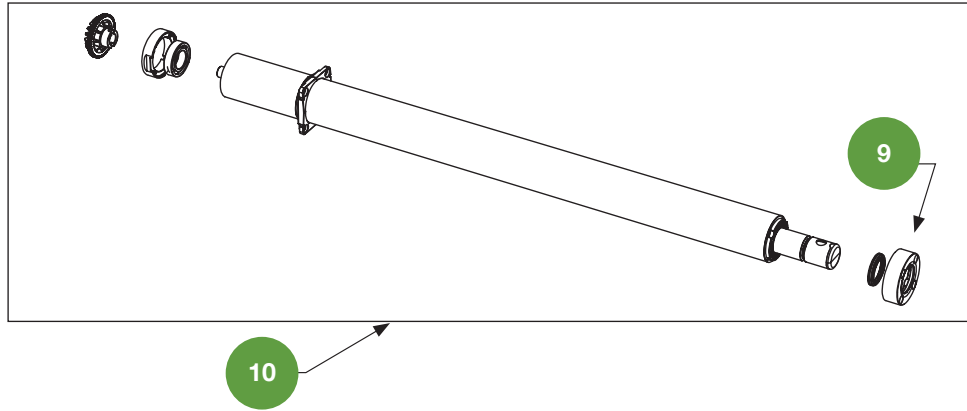
Limit Switch and Bracket Assembly



## Apollo 816 Actuator Replacement Parts List

Item Number	Part Number	Description
1	A2087	Bearing Kit
2	10015290	Bracket, Gate Attach, Kit
3	446	Bracket, Pivot, Bolt-On
4	10055490	Bracket, Pivot, Kit, Single & Dual
5	A2052	Bushing, Limit Plate
6	A2024K	Cover Tube, Seal Housing Kit
7	A2027	Extension tube
8	A2006	Gear Nut, AC
9	A2017	Gear, Spur
10	A2012	Housing, Rear, Kit
11	A2012K	Housing, Rear, w/Bushings
12	A2002	Limit Block w/Magnet
13	A2003P	Limit Block, Plastic, No Switch
14	A2005	Limit Bolt, Proximity
15	A2010	Limit Cap and Seal Kit
16	A2019	Limit Screw
17	A2018	Main Screw
18	A2086	Main Screw Kit (not shown)
19	A2014	Motor and Pinion Gear
20	A2004	Proximity Switch
21	A2072	Sensor, Smart
22	A2029	Strain Relief

# TITAN Linear Actuator Parts Diagram

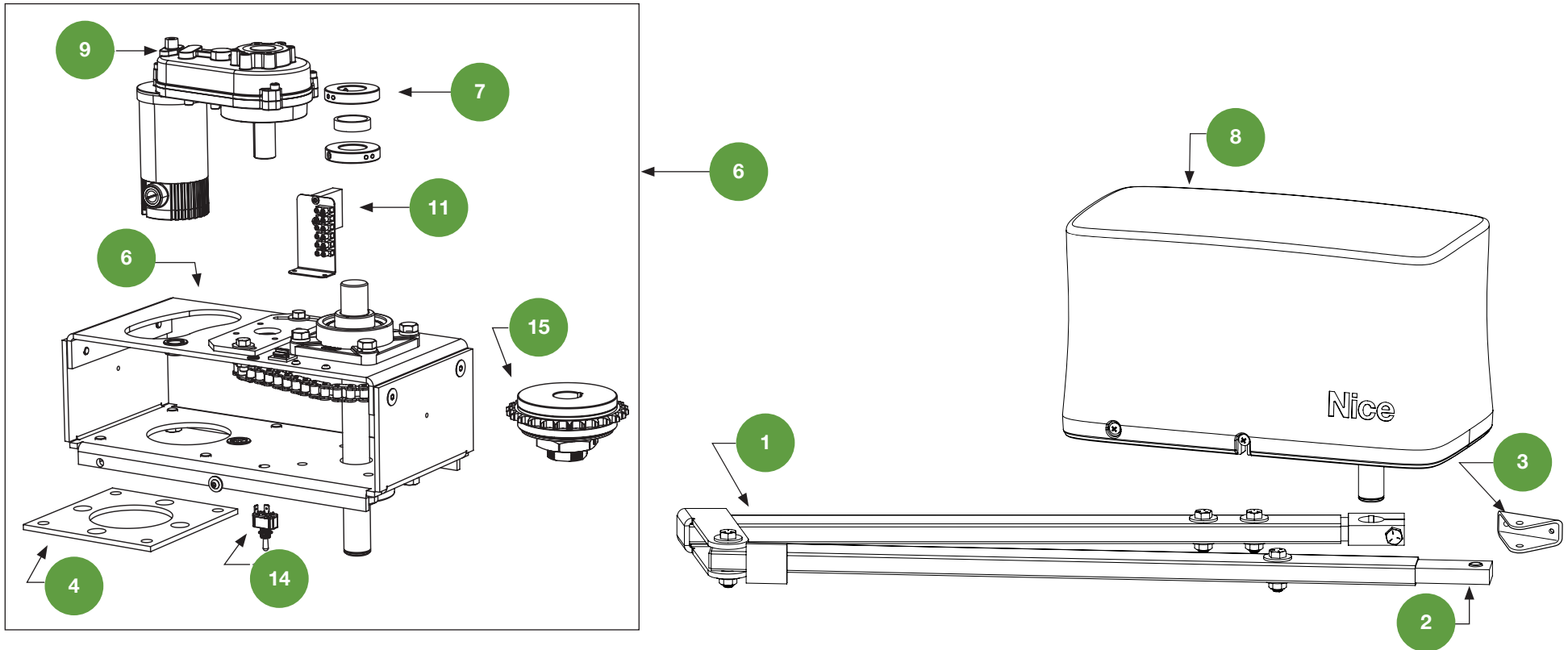
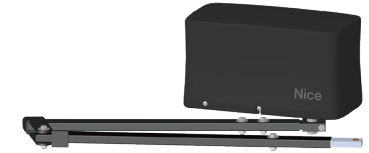


This drawing is a representation and should be used for parts reference only.

## TITAN 912 Actuator Replacement Parts List

Item Number	Part Number	Description
1	10015290	Bracket, Gate Attach Kit
2	446	Bracket, Pivot, Bolt-On
3	10055490	Bracket, Pivot, Kit, Single & Dual
4	PD0929A3000	Cover, Motor, Bottom
5	PD0942A3000	Cover, Upper
6	SPSWLSM-01	Limit Switch
7	10070000	Lock Cylinder Kit, Key and Latch
8	SPSW912-01	Motor, Electric, 12V
9	SPTTN03	Seal and Housing
10	SPAMG206A00	Tube, Assembly, 912L

# Vanguard 3501 Swing Parts Diagram



This drawing is a representation and should be used for parts reference only.

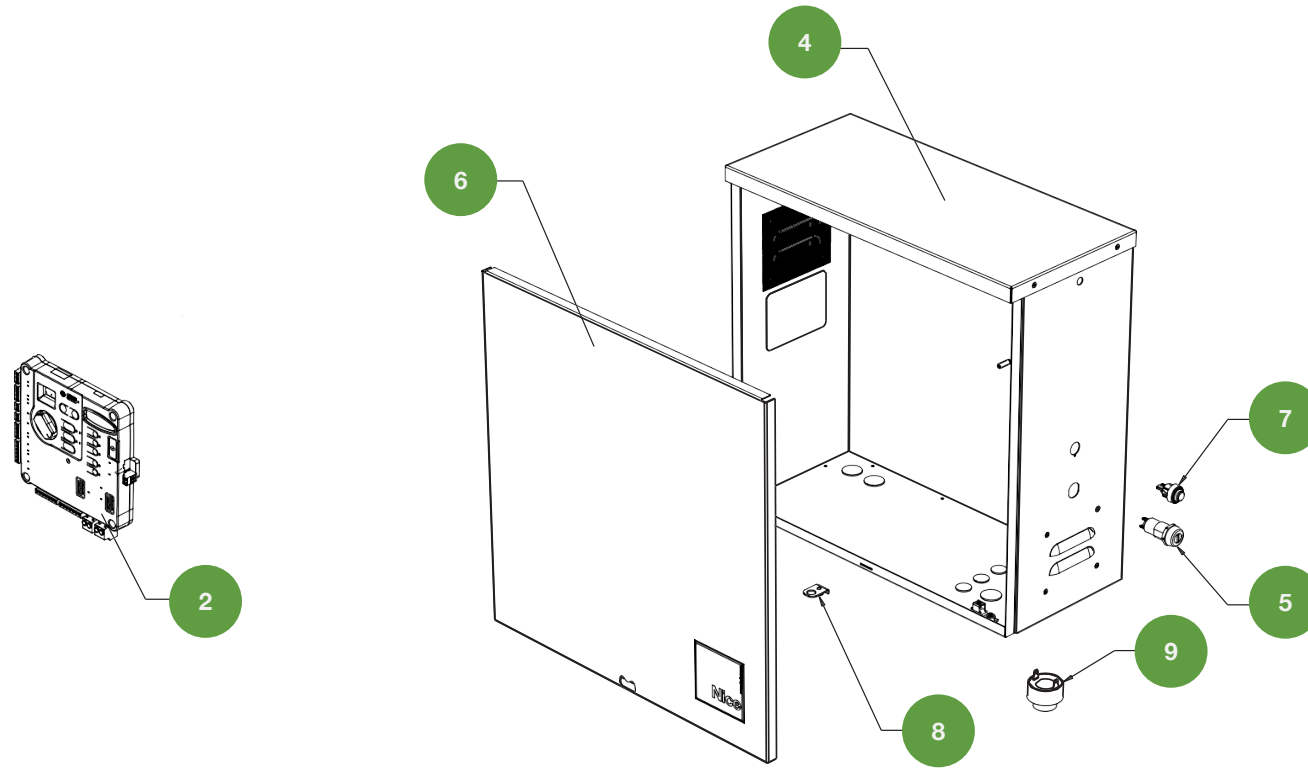
## Vanguard 3501 Replacement Parts List

Item Number	Part Number	Description
1	<b>ABOX35</b>	Arm Assembly
2	<b>10021790</b>	Arm Assembly, Adjuster
3	<b>10021290</b>	Bracket, Gate Attach Kit
4	<b>10038315</b>	Bracket, Post Mount
5	<b>MX5622</b>	Chain, #50
6	<b>CHBOX35</b>	Chassis Assembly, 3501
7	<b>10021490</b>	Collar and Magnet
8	<b>MX4774</b>	Cover, Plastic

## Vanguard 3501 Replacement Parts List

Item Number	Part Number	Description
9	<b>MX5420</b>	Motor Assembly
10	<b>MX5421</b>	Motor Assembly (retrofit kit for units with 1050US controller. Not shown)
11	<b>10058890</b>	Limit Block Assembly
12	<b>MX5624</b>	Sprocket
13	<b>TB-8</b>	Terminal Block
14	<b>10024290</b>	Toggle Switch
15	<b>10040690</b>	Torque Limiter

# CBOX with Mercury 310 Controller



This drawing is a representation and should be used for parts reference only.

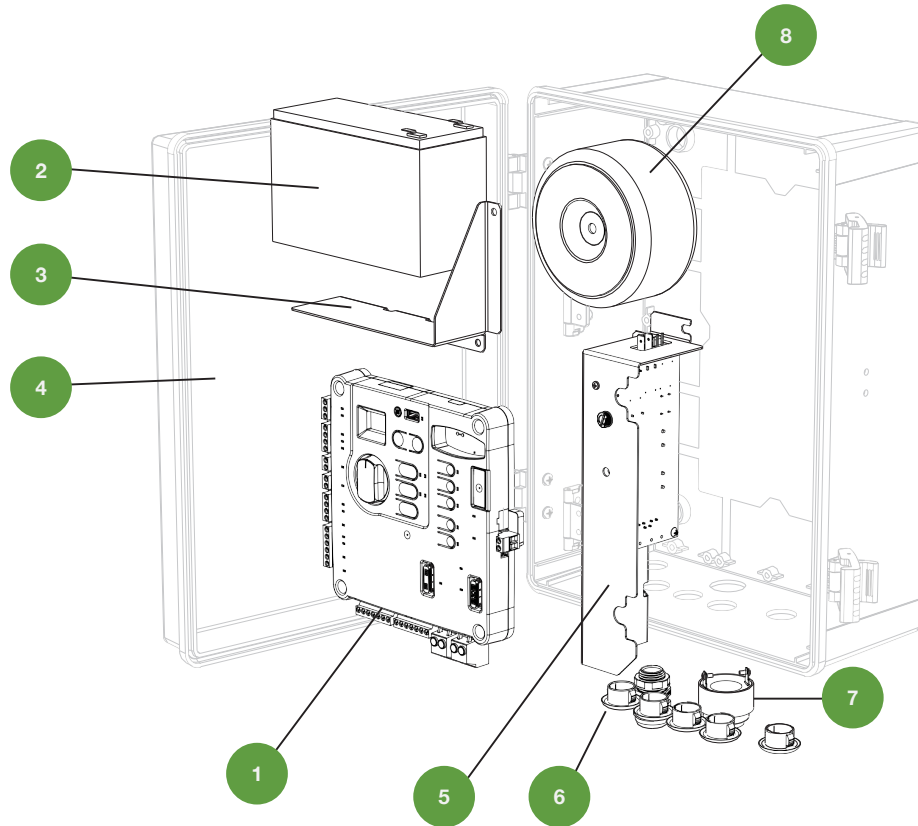
## CBOX and Controller Replacement Parts List

Item Number	Part Number	Description
2	<b>MX4920</b>	Controller, Mercury 310
4	<b>11111B</b>	Box, Control, CBOX, No Control Board
5	<b>1115</b>	Key Switch, Single Pole
6	<b>10016215</b>	Lid, 11111B, CBOX

## CBOX and Controller Replacement Parts List

Item Number	Part Number	Description
7	<b>1119</b>	Switch, Push Button, Control Box
8	<b>10020915</b>	Tab, Replacement
9	<b>MX4711</b>	Buzzer, Piezo, 100dB

# ACBOX Parts Diagram



This drawing is a representation and should be used for parts reference only.

## ACBOX Replacement Parts List

Item Number	Part Number	Description
1	MX4920	Controller, Mercury 310
2	MX000909	Battery, 12V, 7Ah
3	MX4907	Shelf, Battery
4	MX4632	Enclosure, PC, ACBOX

## ACBOX Replacement Parts List

Item Number	Part Number	Description
5	MX4860	Power Distribution Box
6	MX4668	Plug, Liquid Tight, 0.875"
7	MX4711	Buzzer, Piezo, 100dB
8	MX4859	Transformer, 19VAC, 250VA

# Nice, a world without limits.

Industry leading manufacturer of gate automation solutions

**Niceforyou.com**

**Nice North America**

**Corporate Office**

5919 Sea Otter Place, Suite 100  
Carlsbad, Ca 92010  
Tech: (760) 438 7000  
Sales: (760) 438 7000  
Toll Free: (800) 421 1587

**Nice North America | HySecurity**

**Gate & Barrier Division**

6705 S 209th St, Ste 101  
Kent, WA 98032  
Tech: (253) 201 2918  
Sales: (253) 867 3700  
Toll Free: (800) 321 9947

