

Nice

Commercial

Gate Operators

Gate automation and traffic
control solutions catalog



All gate installations must comply with UL325 and ASTM F2200 safety standards in addition to any local area codes and standards. Site, gate hardware, usage class, and other conditions will dictate the use of additional safety designs and components.

All safety related warnings and notices in this document, and any diagrams, drawings, photographs and similar content should not be considered guidance on how to make your particular site safe and code compliant. It is the responsibility of the gate system designer, installer and owner to assess appropriate safety design considerations, correct implementation and ongoing maintenance of any system.

This informational Product Catalog is distributed on an "as is" basis, without warranty. Every precaution has been taken in preparation of the entirety of the book. Neither the authors nor the publisher shall have any liability to any person or entity with respect to any loss or damage caused or alleged to be caused directly or indirectly by the information contained in this book.

©2025 Nice North America LLC. All rights reserved. This book may not be reproduced in whole or in part, in any way, shape, or form, by electronic or mechanical means, including information storage and retrieval systems without written permission from Nice HySecurity Gate, Inc., except in the case of an active, authorized Nice | HySecurity Reseller copying drawings, operator or part descriptions, and order forms exclusively for Nice | HySecurity product sales purposes.

Commercial Gate Operators Catalog

Contents

M-Bar/L-Bar	8	SlideSmart™ 535 Parts Diagrams	60
StrongArmPark™ DC.....	15	SlideSmart™ DC Parts Diagrams.....	61
SlideSmart™ 535.....	22	SlideSmart™ HD Parts Diagrams.....	62
SlideSmart™ DC	28	Linear HSLG Parts Diagrams	63
SlideSmart™ HD	33	Linear GSLG-A Parts Diagrams	66
Linear LG	38	HSLG GSLG-A Electrical Parts Diagrams	69
SwingSmart™ DC	43	Linear VS-GSLG Parts Diagrams	70
SwingSmart™ 535.....	49	Linear VS-GSLG Electrical Parts Diagrams	72
MBar/LBar Parts Diagrams	56	SwingSmart™ DC Parts Diagrams.....	73
StrongArmPark™ DC Parts Diagrams	57	SwingSmart™ 535 Parts Diagrams	74

All specifications are subject to change without notice. PDF available online at hysecurity.com or contact your distributor.

partners.hysecurity.com/extranet/

Warranty: hysecurity.com/warranty



Why Nice?

Nice is a worldwide recognized industry leader of automated gate and perimeter security solutions

The Nice brand features residential and commercial gate operators, from elegant linear actuators to refined swing gate operators

The HySecurity brand provides high-quality, ultra-reliable industrial gate operators and crash-rated, Hostile Vehicle Mitigation (HVM) vehicle barriers designed to secure and protect critical infrastructure and facilities.

Commercial Gate Operators Product Catalog



Nice

View the latest parts diagrams from anywhere.

- Quick search results by operator
- Easy to find part diagrams and part numbers
- Always updated
- Available digitally anywhere, anytime
- Download and print materials, as needed

Nice
MBar/LBar Parts Diagrams
Chassis, Drive, Electrical and Arms

Item No. Part Name Part Number M-Bar / L-Bar Models

1	Arm Compression (Back H) (not shown)	2000155	MESAR, MSBAR, MFSAR
2	Arm Cap	XB421	#
3	Board, Control (XB43A), No Receiver	XB43U	# models built before January 1, 2019
4	Control Board (BCU), New	BCU1	# models built after January 1, 2019
5	Expansion Joint (not shown)	XB49	MFSAR, LGSAR
6	Extension, Reinforcement, LGSAR	PD16140000	LGSAR
7	Extension, Reinforcement, MBSAR	PD161480000	MBSAR, MSBAR, MFSAR
8	Foundation Plate Kit, LGSAR	XB417	LGSAR

Item No. Part Name Models

9	Foundation Plate Kit, MSBAR	XB418	MSBAR, MFSAR
10	Foundation Plate Kit, MFSAR	XB419	MFSAR
11	Foundation Plate Kit, LGSAR	XB420	LGSAR
12	Foundation Plate Kit, MSBAR	XB421	MSBAR, MFSAR
13	Foundation Plate Kit, MFSAR	XB422	MFSAR
14	Foundation Plate Kit, LGSAR	XB423	LGSAR
15	Foundation Plate Kit, MSBAR	XB424	MSBAR, MFSAR

This drawing is a representation and should be used for parts reference only.

Parts Diagrams are located at the back of this book as an addendum. Diagrams and support material can also be found on the Nice | HySecurity Support Center. <https://support.hysecurity.com>

Nice | HySecurity Support Center

Submit support request Sign In

Q: Apollo

Swing Gate / Apollo 816

Brochures and Spec Sheets, Operator: Apollo Linear Actuator Spec Sheet

Manuals, Operator: Apollo 1500 Linear Actuator System (816 arm & 636 Control Board) Installation Reference Manual
Changed DIP Switch illustration on page 37 to show Dip Switch 1 as OFF (not ON) to ...

Apollo 816 Linear Actuator Installation Reference Manual
How to install the Apollo 816 linear actuator without a system

Apollo 816 Linear Actuator 120 Degree Install Instructions
How to install the Apollo linear actuator at a 120 Degree angle

Part: Apollo 816 Linear Actuator Part Diagrams

Swing Gate Vertical Lift

Can't find what you're looking for?
Contact the Nice | HySecurity Technical Support Team.

253.201.2916 Submit support request Email Support Email Sales

Nice | HySecurity Support Center Back to Our Main Site Nice | HySecurity

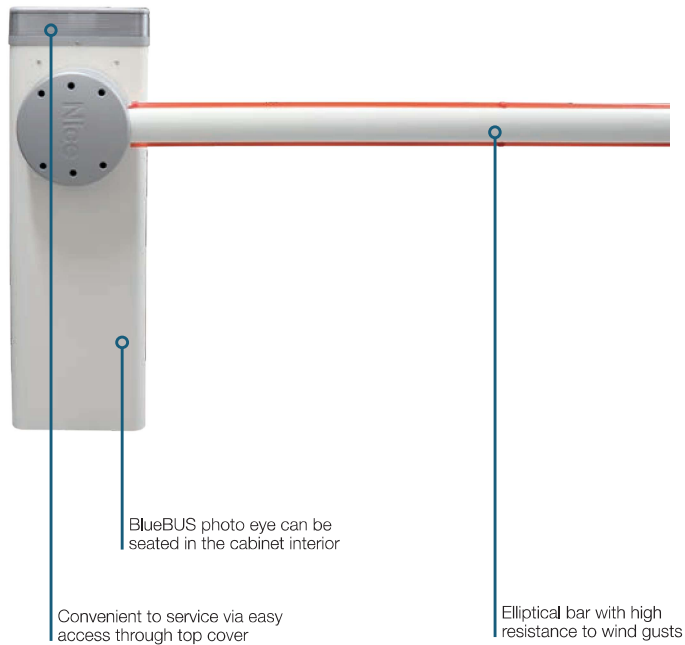


Traffic Control

M-Bar/L-Bar	8
M-Bar/L-Bar Model	10
M-Bar/L-Bar Accessories	11
StrongArmPark™ DC	15
StrongArmPark DC Models	17
StrongArmPark DC Installed Options	18
StrongArmPark DC Parts and Accessories	19

M-Bar/L-Bar

Advanced traffic control solutions. Sleek, energy saving, modular traffic barrier. Digital motion control technology provides graceful, smooth movements through full cycle.



Battery: 24 VDC operator.



Design: Arm lengths from 8 to 29 ft.



Reliable: Available battery backup maintains operations in case of power outage.



Efficient: Automatically switches to standby mode when idle to reduce consumption and save energy.



Applications: Solar option available.



Visible: Optional integrated flashing or traffic light.



Intelligent: Obstacle detection reverses arm on contact.



Gate types: Dual gate pairing through primary/secondary communication.



Swift: Smooth, graceful movement through full cycle using motion control technology for long service life.






M-Bar/L-Bar Technical Specifications

Model	Nice M3BAR	Nice M5BAR	Nice M7BAR	Nice L9BAR
Arm Length Max.	8 to 10 ft (2.4 to 3 m)	10 to 16 ft (3 to 5 m)	16 to 23 ft (5 to 7 m)	23 to 29 ft (7 to 8.9 m)
Arm Design	Aluminum arm with red adhesive reflector and optional lights/bumper strips			
Full Open Angle	Adjustable to 90° (recommended to limit at 87°)			
Duty Cycle	500 cycles/hr	350 cycles/hr	200 cycles/hr	150 cycles/hr
Drive	Electromechanical			
Open/Close Time	1.5 - 4 seconds. Field adjustable.	3 - 6 seconds. Field adjustable.	6 - 10 seconds. Field adjustable.	8 - 10 seconds. Field adjustable.
Ingress Protection	IP44			
Handing	Universal: field adaptable for left hand or right hand installations			
Temperature Rating	-4° to 122° F (-20° to 50° C)			
Operating Voltage	24VDC			
Input Voltage	120VAC 60/50Hz			
Accessory Power	24VDC			
Communication	Optional Oview programmer, OVBT			
User Controls	BCU1 Control Board			
Relays	4 programmable voltage outputs			
Finish	Cathaphoretic coating and paint finish			
ETL Listed (UL 325)	Usage Class I, II, III, IV			
Cycle Tested	1 million cycles			
Warranty	3 year w/product registration			

M-Bar/L-Bar Model

Models	Component Part Numbers	Weight	Dimensions	freight Class
Nice M3BAR	O-M3BAR/V1	252 lb	40"w x 56"d x 24"h	70
Nice M5BAR	O-M5BAR/V1	252 lb	40"w x 56"d x 24"h	70
Nice M7BAR	O-M7BAR/V1	252 lb	40"w x 56"d x 24"h	70
Nice L9BAR	O-LBAR/V1	308 lb	40"w x 56"d x 24"h	70

	<p>Optional UPS battery backup for operation during power outage.</p>
	<p>Optional safety or traffic light can be integrated into the cover.</p>
	<p>Solar option available.</p>

M-Bar/L-Bar Accessories

Part Name	Part Number	Description
Antenna, Directional, 433.92 MHz	ABF/A	Adjustable whip antenna with mounting bracket, removable terminal block and 10 ft coaxial cable for Nice 433, 92 MHz receivers
Anti-Compression Block Kit, LBAR	PD1614A0000	Anti-compression block kit for arm, L9
Anti-Compression Block Kit, MBAR	PD1614B0000	Anti-compression block kit for arm, M3/M5/M7
Arm Cap	SPGAP06400A	Plastic arm cap with 2 each flush and 2 each raised finished ends, M3/M5/M7/L9BAR
Barrier arm, XBA14	XBA14	Barrier arm, aluminum, white, overall length 13 ft - 7 inch (69 x 92 x 4150 mm)
Barrier arm, XBA15	XBA15	Barrier arm, aluminum, white, overall length 10 ft - 4 inch (69 x 92 x 3150 mm)
Barrier arm, XBA5	XBA5	Barrier arm, aluminum, white, overall length 16 ft - 10 inch (69 x 92 x 5150 mm)
Battery 24V	PS224	Backup battery pack, 24VDC, for use only with XBA3 control board.
Bracket, Articulating for XBA15	XBA11	Low headroom articulating bracket, max overall length of primary & secondary arms combined is 7 ft - 10 inch (1950 to 2400 mm)
Bracket, Breakaway for Arms up to 4 meter	XBA10	Breakaway bracket for XBA15 or XBA14, max arm length: 13 ft - 7 inch
Detector, Probe, 12V	217	Exit probe kit, 12V, includes probe and controller
Expansion Joint	XBA9	Expansion joint for XBA series arms
Foundation Plate Kit, L-Bar	XBA17	Foundation plate kit for LBAR/V1, includes plate and four 1/2 inch J-anchors
Foundation Plate Kit, M-Bar	XBA16	Foundation plate kit for M-Bar series operators, includes plate and four 1/2 inch J-anchors
GOOSENECK, STAND, 69 IN	MX5153	Pedestal, black powder coated 14-gauge steel, 69 inch overall height
Keypad, 100-code, wired	MX5150	Security Brands wired keypad with 100 code capacity
Keypad, EDSWG, Wireless	EDSWG/A	Battery-powered wireless keypad
KEYPAD, WIRELESS, 433 MHZ	MX5151	Security Brands wireless keypad and transceiver with 500 code capacity
LED Strip, 13 ft	XBA4	LED strip for XBA series barrier arms, 13 ft - 1 inch overall length, requires XBA13
LED Strip, 19 ft - 8 inch	XBA6	LED strip for XBA series barrier arm, 19 ft - 8 inch overall length, requires XBA13
LED Strip, 25 ft	XBA18	LED strip for XBA series barrier arm, 26 ft - 2 inch overall length, requires XBA13
Light, Flashing, Kit	XBA7	Integrated flashing light, white with amber lenses, mounts in XBA series barrier arm lid, for use only with the XBA3/BCU1 control boards
Light, Traffic, Kit	XBA8	Integrated traffic light, red/green, mounts in XBA series barrier arm lid, for use only with the XBA3/BCU1 control boards
OVBT, Bluetooth Module	OVBT	Bluetooth connection module for Oview interface
Photo Eye w/BlueBUS, Reflective, Adjustable, Large	EPMORB/A	Reflective photo eye with Nice BlueBUS communications technology. Adjustable optics are positionable to 30° in large size housing. Requires BlueBUS enabled controller. For use with Mercury 310/936/1050/XBA3/BCU1 and SmartDC, Smart Touch 725, controllers.
Photo Eye w/BlueBUS, Through-Beam, Adjustable	EPMOB/A	Through-beam photo eye with Nice BlueBUS communications technology. Adjustable optics are positionable to 30° in medium size housing. Requires BlueBUS enabled controller. For use with the 936/1050/XBA3/BCU1/SmartTouch 725, and Mercury 310 controllers.
Photo Eye w/BlueBUS, Through-Beam, Adjustable, Large	EPLOB/A	Through-beam photo eye with Nice BlueBUS communications technology. Adjustable optics are positionable to 30° in large size housing. Requires BlueBUS enabled controller. For use with the 936/1050/XBA3/BCU1 and SmartTouch 725, control boards.
Photo Eye w/BlueBUS, Through-Beam, Non-Adjustable	EPMB/A	Through-beam photo eye with Nice BlueBUS communications technology and medium size housing. Requires BlueBUS enabled controller. For use with the 936/1050/XBA3/BCU1 and SmartTouch 725, control boards.

M-Bar/L-Bar Accessories

Part Name	Part Number	Description
Photo Eye w/BlueBUS, Through-Beam, Non-Adjustable, Metal	EPMAB/A	Through-beam photo eye with Nice BlueBUS communications technology and solid, durable, medium size cast metal alloy housing. Requires BlueBUS enabled controller. For use with the 936/1050/XBA3/BCU1/SmartTouch 725 and Mercury 310 controllers.
Programming unit for device BUS T4 connection	OVIEW/AR01	Unit for control, programming and diagnostics for devices equipped with BUST4 connection, for use with 1050 or XBA3 controllers Note: Firmware updates on 1050 and XBA3/U controllers require the OVIEW/A and the OVBT
Receiver, OXI, Long Range with LoRa Technology	OXILR/A	OXI bi-directional long range receiver, 433.92 MHz, 1024 codes with LoRa Technology, red fascia
Receiver, OXIBD, Multi Channel	OXIBD/A	OXI bi-directional receiver, multiple channels, 433.92 MHz, 1000 code memory. Compatible with all ERA and INT1 remotes and bi-directional remotes.
Reflector Strips, Red Adhesive	WA10	Red reflective strips, adhesive backing, 24 count per package
RTE Unit, Wireless, Button RTE	MX5152	Remote exit button, for use with gooseneck stand on secure side of a gate
Signs, Moving Gate Warning, English	MX3193-01	Two UL 325 moving gate warning signs, English, 8.5 x 11 inch aluminum, includes 8 zip ties
Stand, Anchor Mount	WA11	Anchor mount stand for barrier arms, adjustable height
Stand, Arm Mount	WA12R01	Arm mount stand for combined barrier arms, with overall lengths from 16 ft - 5 inch to 27 ft - 3 inch. New fully reinforced version.
Transmitter, Remote, Era One, 2 Channel	ON2E/A	Era One remote transmitter, 2 channels, 433.92 MHz, black fascia
Transmitter, Remote, Era One, 4 Channels	ON4E/A	Era One remote transmitter, 4 channel, 433.92 MHz, black fascia
Transmitter, Remote, Era One, Bi-Directional Long Range, LoRa	ON3ELR/A	Era One bi-directional long range remote transmitter with LoRa technology, 433.92 MHz, red fascia
Transmitter, Remote, Inti, 2 Channel Black	INTI2/A	Inti remote transmitter, 2 channel, 433.92 MHz, black fascia
Transmitter, Remote, Inti, 2 Channel Blue	INTI2B/A	Inti remote transmitter, 2 channel, 433.92 MHz, blue fascia
Transmitter, Remote, Inti, 2 Channel Lilac	INTI2L/A	Inti remote transmitter, 2 channel, 433.92 MHz, lilac fascia
Transmitter, Remote, Inti, 2 Channel Red	INTI2R/A	Inti remote transmitter, 2 channel, 433.92 MHz, red fascia
Transmitter-Receiver Kit, LoRa Technology	ONELRKIT/A	Includes 2 Era One bi-directional long range transmitters (ON3ELR/A), 1 OXI bi-directional receiver (OXILR/A), and 1 relay adapter (OX2UBP) to use with non-OXI port controllers

M-Bar/L-Bar Accessories

Just a few of the many accessories available. See operator parts section for more.



PS224

24VDC battery back-up



XBA10

Break-away pivoting connection for bars up to 13 ft



XBA11

Articulating joint for bars up to 13 ft



WA10

Red adhesive reflector strips



XBA7

Flashing light for XBA series



XBA8

Integrable traffic light



WA11

Adjustable stand for bars



WA12R01

Mobile stand for bars



XBA13

Rubber impact protection strip



XBA4 INDICATOR LIGHTS. 13.1 FT
XBA6 INDICATOR LIGHTS. 19.7 FT
XBA18 INDICATOR LIGHTS. 26.2 FT



OVIEW

Programming device for the 1050 and XBA3/U boards

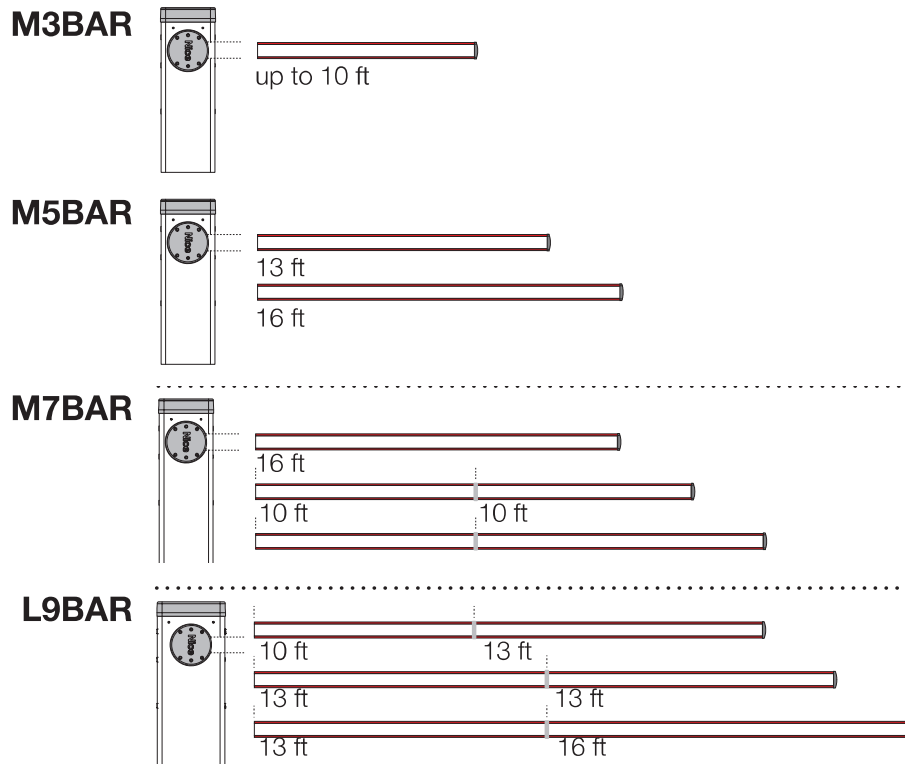


OVBT

Bluetooth connection module for Oview interface

MBar/LBar Parts Diagrams

Arms



XBA15
10 ft
White paint-finished
aluminium bar



XBA14
13 ft
White paint-finished
aluminium bar



XBA5
16 ft
White paint-finished
aluminium bar



XBA9
Expansion joint.

This drawing is a representation and should be used for parts reference only.

Part Name	Part Number	M-Bar / L-Bar Models
Barrier arm, XBA14	XBA14	M5BAR, M7BAR, L9BAR
Barrier arm, XBA15	XBA15	M3BAR, M5BAR, M7BAR
Barrier arm, XBA5	XBA5	L9BAR
Expansion Joint	XBA9	M7BAR, L9BAR

StrongArmPark™ DC

Proven reliability with support for revenue control. Protect revenue streams with uninterrupted traffic control for high-capacity parking lots, gated communities and low clearance garages.



Inside: Configure gate with 70+ field adjustable settings on the Smart DC Controller

Resilient bumper reduces potential injury or vehicle damage

High visibility LED lighting increases safety



Simple: Quick and easy installation and low maintenance.



Vehicle counts: Track parking inventory with counts of tenant, transient, and other cycles.



Reliable: Standard UPS battery backup feature allows continuous duty after AC power loss up to 1000 cycles*.



Intelligent: In case of vehicle strike, arm breaks away and arm motion stops, protecting pedestrians, facility and operator/arm.



Customized: Custom color option.



Applications: Solar option available.



Visible: Lighted arm and resilient bumper protects vehicle and pedestrians.



Programmable: Easy to configure numerous functions, including parking specific options.



Made in USA: Designed, tested and built within USA from globally source materials.



SCAN ME



StrongArmPark DC Technical Specifications


Model	StrongArmPark DC 10	StrongArmPark DCS 10	StrongArmPark DC 14	StrongArmPark DCS 14
Arm Length Max.	Up to 10 ft (3 m) standard length		10, 12, and 14 ft (3, 3.7 and 4.3 m) standard lengths	
Arm Design	Aluminum oval arm with bumper, lights, HyProtect™ breakaway arm bracket & kill switch (standard). Optional articulating aluminum arm with HyProtect™ breakaway arm bracket & kill switch; 7 ft clear/8 ft extended (2.1 m/2.4 m); 8 ft clear/10 ft extended (2.4 m/3 m); 9 ft clear/10 ft extended (2.7 m/3 m). Lights optional.			
Full Open Angle	Arm full open angle: Adjustable 90° ±10°			
Duty Cycle	Continuous*			
Drive	Electromechanical			
Open/Close Time	3 speeds: 1.5/2/2.5 seconds. Field adjustable		3 speeds: 2.5/3/3.5 seconds. Field adjustable	
Handing	Left handing standard. Easy to convert to right handing in field.		Left handing standard. Right handing available.	
UPS Battery Backup Cycles	Two 12V, 8Ah batteries. Operates for thousand plus cycles after AC power loss.* Field configurable to fail open or secure when batteries deplete.			
Temperature Rating	-13° to 158° F (-25° to 70° C)			
Operating Voltage	24VDC			
Input Voltage	115VAC, 3A, 60/50Hz or 208-230VAC, 1.5A, 60/50Hz	24VDC solar panels - 40W min panel (Solar panels sold separately)	115VAC, 3A, 60/50 Hz or 208-230VAC, 1.5A, 60/50 Hz	24VDC solar panels - 40W min panel (Solar panels sold separately)
Accessory Power	12VDC and 24VDC 1A each			
Communication	RS-232, RS-485			
User Controls	Smart DC Controller with 70+ configurable settings, 32 character LCD display and 5 tact buttons or a PC using S.T.A.R.T. software.			
Relays	One configurable user relay: 250VAC, 10A electromechanical. Optional Hy8Relay™ for 8 additional relay outputs			
Finish	Zinc plated with powder coating			
ETL Listed (UL 325)	Usage Class I, II, III, IV			
Cycle Tested	2 million cycles			
Warranty	2 years w/product registration			

* The actual number of arm cycles available from battery depends on arm length/weight, battery size, state of charge and health, ambient temperature, accessory power draw and frequency of arm cycles during power outage.

StrongArmPark DC Models

Part name	Part number	Weight	Dimensions	Freight class
StrongArmPark DC 10	S-SAP-1-CA	170 lb	47"w x 26"d x 20"h	70
StrongArmPark DCS 10	S-SAP-1-CC	170 lb	47"w x 26"d x 20"h	70
StrongArmPark DC 14	S-SAP-1-CB	180 lb	47"w x 26"d x 20"h	70
StrongArmPark DCS 14	S-SAP-1-CB	180 lb	47"w x 26"d x 20"h	70

	<p>Every StrongArmPark DC operator includes a HyProtect™ breakaway arm bracket and kill switch, which may reduce the cost of arm or operator damage due to vehicle strike. Resilient bumper along base of arm and dynamic reversing feature in operator reduce possibility of injury or vehicle damage. Dynamic reversing sensor detects collisions and reverses arm to minimize damage and improve uptime.</p> <p>Articulating arms for site height clearance issues such as underground parking garages.</p>
	<p>UPS standard backup provides thousand plus cycles after AC power loss. Continues to operate with dead or dying batteries while on AC. Field configurable to fail open or secure if batteries deplete. A HySecurity designed intelligent three stage charging system monitors battery condition to maximize battery life.</p>

	<p>Solar. When there's no AC access and plenty of sun, operate energy efficient StrongArmPark DCS with solar panels.† The integrated charge controller with industry leading MPPT technology generates more gate cycles. Battery protection software prevents over-discharge, lengthening battery life. High speed charger maximizes battery charging during inclement weather when sunlight is scarce. Intelligent accessory power management turns off accessories between cycles, increasing gate cycle capacity. High efficiency motors and drive systems reduce power consumption and generate more gate cycle capacity. Two standard 8Ah batteries are supplied.</p>
---	--

† 40W minimum 24VDC solar panel (or two 12V - 20W panels wired in series), not included but required for solar operation.

Note: Attachment plates for 1 x 4 inch wood and 2.5 inch square PVC aftermarket arms are available. Standard aluminum arm bracket ships with operator. See StrongArmPark DC Options and Accessories for available arm configurations. Custom color, with minimum order quantity, available.

StrongArmPark DC Installed Options

Name	Order Code	Description
Color, Custom, StrongArmPark DC	S-SAP-5-01	Custom color chassis. Zinc plated with powder coating. Contact factory for colors available. Note: Longer lead time may apply.
Configuration, Right Handing, StrongArmPark DC	S-SAP-4-A0	StrongArmPark DC 14 configured for right handing
Crate, Export Shipping, StrongArmPark DC	S-SAP-B-01	Certified heat treated wood crate for export shipping, StrongArmPark DC
Language Pack, French Canadian, StrongArmPark DC	S-SAP-A-02	French Canadian warning labels and Quick Start guide

StrongArmPark DC Parts and Accessories

Name	Part Number	Description
Arm Assembly, Aluminum, Oval, 8 ft	MX4182-08	8 ft oval aluminum oval arm for operators with kill switch built after June 2017. Includes LED light strip with UV stabilized cover and bumper.
Arm Assembly, Aluminum, Oval, 9 ft	MX4182-09	9 ft oval aluminum oval arm for operators with kill switch built after June 2017. Includes LED light strip with UV stabilized cover and bumper. StrongArmPark DC, WedgeSmart DC
Arm Assembly, Aluminum, Oval, 10 ft	MX4182-10	10 ft oval aluminum oval arm for operators with kill switch built after June 2017. Includes LED light strip with UV stabilized cover and bumper. StrongArmPark DC, WedgeSmart DC and StrongArm 14F operators
Arm Assembly, Aluminum, Oval, 12 ft	MX4182-12	12 ft oval aluminum oval arm for operators with kill switch built after June 2017. Includes LED light strip with UV stabilized cover and bumper. StrongArmPark DC and StrongArm 14F operators
Arm Assembly, Aluminum, Oval, 14 ft	MX4182-14	14 ft oval aluminum oval arm for operators with kill switch built after June 2017. Includes LED light strip with UV stabilized cover and bumper. StrongArmPark DC and StrongArm 14F operators
Arm Assembly, Articulating, 7 ft Vehicle Clearance	MX3114-06	Articulating arm assembly with bumper and bracket. Vehicle clearance from base of operator to bottom bumper side of arm is 7 ft. Overhead height (total) is 7.5 ft. Overall arm (lane) length is 8 ft.
Arm Assembly, Articulating, 8 ft Vehicle Clearance	MX3114-01	Articulating arm assembly with bumper and bracket. Vehicle clearance from base of operator to bottom bumper side of arm is 8 ft. Overhead height (total) is 8.5 ft. Overall arm (lane) length is 10 ft.
Arm Assembly, Articulating, 9 ft Vehicle Clearance	MX3114-02	Articulating arm assembly with bumper and bracket. Vehicle clearance from base of operator to bottom bumper side of arm is 9 ft. Overhead height (total) is 9.5 ft. Overall arm (lane) length is 10 ft.
Arm Assembly, Articulating, Lighted, 7 ft Vehicle Clearance	MX4010-06	Articulating arm assembly includes LED light strip with UV stabilized cover and bumper. Vehicle clearance from base of operator to bottom bumper side of arm is 7 ft. Overhead height (total) is 7.5 ft. Overall arm (lane) length is 8 ft.
Arm Assembly, Articulating, Lighted, 8 ft Vehicle Clearance	MX4010-01	Articulating arm assembly includes LED light strip with UV stabilized cover and bumper. Vehicle clearance from base of operator to bottom bumper side of arm is 8 ft. Overhead height (total) is 8.5 ft. Overall arm (lane) length is 10 ft.
Arm Assembly, Articulating, Lighted, 9 ft Vehicle Clearance	MX4010-02	Articulating arm assembly includes LED light strip with UV stabilized cover and bumper. Vehicle clearance from base of operator to bottom bumper side of arm is 9 ft. Overhead height (total) is 9.5 ft. Overall arm (lane) length is 10 ft.
Battery Kit, 8Ah, Replacement	MX002008	Two 12V, 8Ah batteries
Bracket, 2.5 inch Square PVC	MX002842	Bracket attaches to 2.5 inch square PVC aftermarket arm
Bracket, Wood	MX002652	Bracket attaches to 1 x 4 inch wood arm for StrongArmPark DC
Cable, Smart DC Controller	MX002114	Download cable with USB 2.0 A-B, 6 ft, connects laptop to Smart Touch Controller, use with Smart Touch Analyze and Retrieve Tool (S.T.A.R.T.)
Detector, Vehicle, Hy5B™ 2.0	MX4621	Improved loop detector module with digital interface to SmartTouch 725 and all other HySecurity controllers. Automatically sets sensitivity. Automatically compensates for gate movement. Advanced loop diagnostics.
Noise Isolator	MX001162	Open/Close/Stop noise/lightning isolator (long distance module)
Power Supply Kit, Remote	MX3431	Remote Power Supply Kit for Smart DC solar models only
Push Button Station, 2 Button	MX001180	Push button station, 2 button, open/close (NEMA 1)
Push Button Station, 3 Button	MX001174	Push button control station, 3 button, open/close/stop (NEMA 1)
Receiver, Remote, Antenna and Coax Cable	MCS106603	Antenna and coax cable for single and dual channel receiver
Receiver, Remote, Single Channel	MCS109950	Linear Multicode™ receiver, 1 channel, 300MHz, includes antenna and 3 ft cable
Relay Module, Hy8Relay, Smart DC	MX3307-01	Extended Hy8Relay module provides 8 additional programmable relay outputs for Smart DC operators

StrongArmPark DC Parts and Accessories

Name	Part Number	Description
Signs, Literature Kit, French Canadian	MX002947	French Canadian voltage and warning labels required for compliance with ETL/CSA standards. Includes two 8.5 x 11 inch Moving Gate Warning (Advertissement) signs translated in French Canadian, and a Quick Start guide for StrongArmPark DC.
Timer, Clock, 7 day, 24 hour	MX001307	7 day 24 hour Clock Timer
Transmitter, Remote, 1 Button	MCS308911	Linear Multicode™ transmitter, 1 button, 300MHz
Transmitter, Remote, 2 Button	MCS412001	Linear Multicode™ transmitter, 2 button, 300MHz

StrongArmPark DC Parts and Accessories

Just a few of the many accessories available. See operator parts section for more.



WOOD ARM ATTACHMENT PLATE



REMOTE POWER SUPPLY KIT



HY5B™ VEHICLE DETECTOR



HY8RELAY™



CLOCK TIMER



SQUARE PVC ARM ATTACHMENT PLATE



PHOTO EYE KITS



RADIO RECEIVERS &
TRANSMITTERS



Slide Gate Operator

SlideSmart™ 535	22
SlideSmart 535 Models	24
SlideSmart 535 Installed Options	24
SlideSmart 535 Accessories	25
SlideSmart™ DC	28
SlideSmart DC Models	30
SlideSmart DC Installed Options.....	30
SlideSmart DC Accessories.....	31
SlideSmart™ HD	33
SlideSmart HD Models	35
SlideSmart HD Installed Options.....	35
SlideSmart HD Accessories.....	36
Linear LG	38
Linear LG Technical Specifications.....	39
Linear LG Models.....	40
Linear LG Accessories	41

Nice

SlideSmart™ 535

Capability meets simplicity. Connected gate operator with advanced features of brushless DC motor technology, BlueBUS on OXI interface for compatibility with Nice accessories.



Weight and length limit: Move gates up to 1,500 lb and 50 ft.



UPS: Standard battery backup to keep gates moving up to 100 cycles with battery upgrades for up to 450 cycles.



Programmable: SmartTouch 725 controllers offers Over 70 user configurable settings to meet site specific requirements.



Durable: Equipped with long lasting corrosion resistance chain.



Advanced: New SmartBLDC Power Module uses advanced technology to maximize motor power, provide ultra-smooth starts and stops, and manage battery charging.



Diagnostics: Easy system troubleshooting with onboard event log.



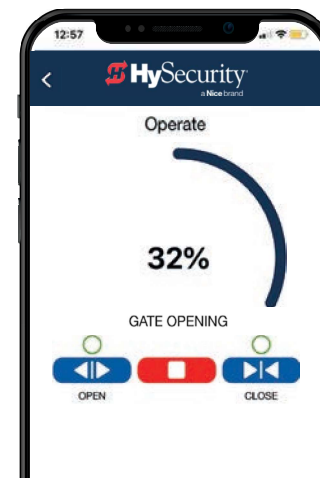
Adjustable: Independent, field-adjustable open and close speeds.



Made in USA: Designed, tested and built within USA from globally source materials.

SmartTouch™ 725

- Bluetooth connectivity for easy setup and HyNet technology
- More than 70 user settings
- Configure everything wirelessly from smart-phone interface
- Built-in diagnostic and remote monitoring management and maintenance capabilities



Works with HySecurity installer app.

SlideSmart™ 535 Technical Specifications

Model	SlideSmart 535
Duty Cycle	Continuous
Horsepower	Equivalent to 1/2 hp
Drive	Electromechanical - 24V Brushless DC motor with direct drive gear train
Rate of Travel	0.75, 1 or 1.25 ft/s (23, 30 or 38 cm/s)** Open/Close speed set independently
Gate Length Max.	50 ft (15 m)
Gate Weight Max.	1,500 lb (680 kg)
UPS Battery Backup Cycles	Field configurable to fail open or secure when batteries deplete. Standard battery backup gate travel: Two 8Ah batteries. Up to 4,000 ft (1,219 m) after AC power loss. Extended battery backup gate travel: Two 35Ah batteries. Up to 18,000 ft (5,486 m) after AC power loss.
Temperature Rating	-13° to 158° F (-25° to 70° C)
Operating Voltage	24VDC
Input Voltage	Switch select 115V or 208-230V, 60/50 Hz; Solar: 24V solar panels †
Accessory Power	24VDC at each input & SS relay (2A accumulative)
Included Accessories	30 ft (9 m) of #40 corrosion resistant roller chain, two cast steel gate mounting brackets for bolt-on or welded assembly, one Nice EPMAB through-beam photo eye with BlueBUS technology, one 5-foot premium ASO edge sensor and two 8Ah batteries for backup power
Communication	BlueBUS, USB, Ethernet, T4, RS-485, Bluetooth, OXI receiver
User Controls	SmartCNX Controller with 70+ configurable settings, 32 character OLED display and 7 tactile buttons, or Bluetooth smartphone interface, for programming.
Inputs	15 inputs including 5 control inputs, 2 dedicated entrapment sensor inputs, 3 user programmable inputs, a BlueBUS port, and 4 Hy5B vehicle detectors sockets. Optional SmartCNX™ I/O Expansion module for 8 additional user programmable inputs.
Relays	3 configurable user relays: Two - 30VDC, 2A solid state. One 250VAC, 20A electromechanical; Optional SmartCNX I/O Expansion module for 8 additional relay outputs.
Finish	Zinc rich primer with black powder coated chassis. High impact copolymer cover.
ETL Listed (UL 325)	Usage Class I, II, III, IV
Warranty	5 year (7 year single-family residential) w/product registration

* Speed setting cannot be configured to exceed 1 ft/s for Usage Class I and II.

** The actual number of gate cycles available from battery depends upon gate resistance to travel, cycle length, battery size, state of charge and health, ambient temperature, accessory power draw and frequency of gate cycles during power outage.

SlideSmart 535 Models

Model	Part number	Weight	Dimensions	Freight class
SlideSmart 535	SLS535	190 lbs	40"w x 19"d x 38"h	70

SlideSmart 535 Installed Options

Name	Order Code	Description
Export Kit	MX5963	Sturdy plywood crate certified for export. Includes French Language signage.

SlideSmart 535 Accessories

Name	Part Number	Description
Base Extension, SlideSmart 535	MX4664	Four inch SlideSmart 535 base extension for side entry of conduit. Mounts to first generation bolt pattern for retrofit. Powder coat over zinc-rich primer for excellent corrosion resistance.
Base Extension, SwingSmart 535	MX4663	Four inch SwingSmart 535 base extension for side entry of conduit. Mounts to first generation bolt pattern for retrofit. Powder coat over zinc-rich primer for excellent corrosion resistance.
Battery Backup Kit, Extended, 35Ah	MX4490	Extended battery backup kit. Includes two 35Ah batteries, wire harness, and support bracket, for SlideSmart and SwingSmart 535 models.
Battery Kit, 8Ah, Replacement	MX002008	Two 12V, 8Ah batteries.
Beacon, Strobe, Amber, 24VDC	MX000997	24VDC Amber Beacon Strobe.
Chain Extension Kit, Corrosion Resistant, 10 ft	MX002212	10 ft of #40 roller chain, corrosion resistant, Dacrodad, includes two connector links.
Chain Kit, Stainless Steel, 10 ft	MX002213	10 ft of #40 roller chain, stainless steel, includes two connector links
Detector, Vehicle, Hy5B™ 2.0	MX4621	Improved loop detector module with digital interface to SmartTouch 725 and all other HySecurity controllers. Automatically sets sensitivity. Automatically compensates for gate movement. Advanced loop diagnostics.
Edge Channel, 10 ft	MX4219-03	Aluminum channel, mounts low and high profile edge sensors, 10 ft.
Edge Channel, 5 ft	MX4219-02	Aluminum channel, mounts low and high profile edge sensors, 5 ft.
Edge Sensor Assembly, Channel Mount, High Profile	AS1502-0440-05	High profile channel mount ASO edge sensor, preassembled with end caps and aluminum mounting channel, 5 ft, 1 x 1.75 inch (1.5 m, 25 x 45 mm).
Edge Sensor Assembly, Channel Mount, Low Profile	AS1502-0430-05	Low profile channel mount ASO edge sensor, preassembled with end caps and aluminum mounting channel, 5 ft, 1 x 1.25 inch (1.5 m, 25 x 30 mm).
Edge Sensor Assembly, Wraparound, Round	AS1501-0760	Round ASO wraparound edge sensor for use on 2 inch diameter pole. Three contact surfaces for sensing contact in any direction. 5 ft x 2 inch (1.5 m x 51 mm).
Edge Sensor Assembly, Wraparound, Square	AS1501-0790	Square ASO wraparound edge sensor for use on 2 inch square pole. Three contact surfaces for sensing contact in any direction. 5 ft x 2 inch (1.5 m x 51 mm).
Edge Sensor Roll, Channel Mount, High Profile, 82 ft	AS1502-0440	"High profile channel mount ASO edge sensor, 82 ft roll x 1 x 1.75 inch (25 m x 25 x 45 mm) Used to create custom length edge sensors. Purchase channel and two end cap types to complete system."
Edge Sensor Roll, Channel Mount, Low Profile, 82 ft	AS1502-0430	"Low profile channel mount ASO edge sensor, 82 ft roll x 1 x 1.25 inch (25 m x 25 x 30 mm). Used to create custom length edge sensors. Purchase channel and two end cap types to complete system."
End Cap, Edge, High Profile, 10k	AS1804-1630	Replacement end cap for high profile ASO edge sensor, with 10k resistive termination, 1 x 1.75 inch (25 x 44 mm).

SlideSmart 535 Accessories

Name	Part Number	Description
End Cap, Edge, High Profile, No Resistor	AS1804-0490	Replacement end cap for ASO edge sensor without resistive termination to make a non-monitored edge to function with pre-2016 operators, 1 x 1.75 inch (25 x 44 mm).
End Cap, Edge, High Profile, Wire Leads	AS1804-0650	Replacement end cap for high profile ASO edge sensor, with wire leads, 1 x 1.75 inch (25 x 44 mm).
End Cap, Edge, Low Profile, 10K	AS1804-1620	Replacement end cap for low profile ASO edge sensor, with 10k resistive termination, 1 x 1.25 inch (25 x 32 mm).
End Cap, Edge, Low Profile, No Resistor	AS1804-0480	Replacement end cap for ASO edge sensor without resistive termination to make a non-monitored edge to function with pre-2016 operators, 1 x 1.25 inch (25 x 32 mm).
End Cap, Edge, Low Profile, Wire Leads	AS1804-0640	Replacement end cap for low profile ASO edge sensor, with wire leads, 1 x 1.25 inch (25 x 32 mm).
Photo Eye Kit, Reflective, 40 ft, 24VDC	MX000999	Reflective photo eye kit, 40 ft range, AC or 24VDC, includes reflector, mounting bracket and hardware.
Photo Eye Kit, Through Beam, 65 ft	MX3990	Wired through beam photo eye kit with 65 ft max range limit, wired, 6-35VDC, 12-24VAC. Mounting bracket and hardware included.
Photo Eye w/BlueBUS, Through-Beam, Adjustable, Large	EPLOB/A	Through-beam photo eye with Nice BlueBUS communications technology. Adjustable optics are positionable to 30° in large size housing. Requires BlueBUS enabled controller. For use with the 936/1050/XBA3/BCU1/SmartTouch 725 and Mercury 310 controllers.
Photo Eye w/BlueBUS, Through-Beam, Non-Adjustable	EPMB/A	Through-beam photo eye with Nice BlueBUS communications technology and medium size housing. Requires BlueBUS enabled controller. For use with the 936/1050/XBA3/BCU1/SmartTouch 725 and Mercury 310 controllers.
"Photo Eye w/BlueBUS, Through-Beam, Non-Adjustable, Metal"	EPMAB/A	Through-beam photo eye with Nice BlueBUS communications technology and solid, durable, medium size cast metal alloy housing. Requires BlueBUS enabled controller. For use with the 936/1050/XBA3/BCU1/SmartTouch 725 and Mercury 310 controllers.
Post Mount Kit	MX4566	Post mount kit, includes bracket, fasteners, and Ubolt for 4 inch pipe. SlideSmart or SwingSmart 535 models.
Push Button Station, 2 Button	MX001180	Push button station, 2 button, open/close (NEMA 1).
Push Button Station, 3 Button	MX001174	Push button control station, 3 button, open/close/stop (NEMA 1).
OXI MegaCode Receiver	OXIMGC/A	MegaCode receiver compatible with SmartTouch 725, Mercury 310, 1050US controllers. Works with all Linear MegaCode radio controls. Does not support block-coding.
MTS3, 3 Button Visor Megacode transmitter	DNT00093	Stylish small-form-factor, low-profile Remote controls up to three MegaCode receiver and can be attached to your car's visor.
MTS1, 1 Button Visor Megacode transmitter	DNT00091	Stylish small-form-factor, low-profile Remote controls one MegaCode receiver and can be attached to your car's visor.
MDKP Exterior Wireless Keypad	ACP00878	The Model MDKP Exterior Wireless Keypad can transmit a unique signal for each 1-6 digit PIN code entered. It has a built-in radio transmitter with a 250-foot range in line-of-sight conditions.

SlideSmart 535 Accessories

Name	Part Number	Description
Remote Whip Antenna	MCS106603	Externally mounted antenna for MegaCode receiver, improves range and reliability. Includes mounting bracket, 15 foot coax cable and type-F connector.
MDT-1A 1-Channel Visor Transmitter	DNT00052A	One-channel commercial grade visor transmitter designed for use with Nice/Linear's access control products. Includes lithium batteries with a five-year service life.
MDT-2A 3-Channel Visor Transmitter	DNT00053A	Three-channel commercial grade visor transmitter designed for use with Nice/Linear's access control products. Includes lithium batteries with a five-year service life.
MDT-4A 5-Channel Visor Transmitter	DNT00054A	Five-channel commercial grade visor transmitter designed for use with Nice/Linear's access control products. Includes lithium batteries with a five-year service life.
ACT-31B 1-Channel Key Ring Transmitter	ACP00879	Single-channel key fob transmitter supplied with a quick-disconnect key ring. Uses lithium batteries with a five-year service life.
ACT-34B 4-Channel Key Ring Transmitter	ACP00872	Four-channel key fob transmitter supplied with a quick-disconnect key ring. Uses lithium batteries with a five-year service life.
ACT-31D 1-Channel Key Ring Transmitter & Prox Tag	ACP00954	Single channel factory block-coded key fob transmitter with a 26-bit Wiegand proximity tag programmed to the same block code as the transmitter. The tag is compatible with the Linear model AM-PR Proximity Reader. Supplied with a quick-disconnect key ring. Also included are lithium batteries with a five-year service life.
ACT-34D 4-Channel Key Ring Transmitter & Prox Tag	ACP00955	Four-channel factory block-coded key fob transmitter with a 26-bit Wiegand proximity tag programmed to the same block code as the transmitter. The tag is compatible with the Linear model AM-PR Proximity Reader. Supplied with a quick-disconnect key ring. Also included are lithium batteries with a five-year service life.
ACT-31DH Key Ring Trans & HID, 1-Channel	ACP00957	Single channel factory block-coded key fob transmitter with embedded 26-bit HID compatible proximity tag. Designed for use with Nice/Linear's access control products. Supplied with a quick-disconnect key ring. Also included are lithium batteries with a five-year service life.
ACT-34DH Key Ring Trans & HID, 4-Channel	ACP00958	Four-channel factory block-coded key fob transmitter with embedded 26-bit HID compatible proximity tag. Designed for use with Nice/Linear's access control products. Supplied with a quick-disconnect key ring. Also included are lithium batteries with a five-year service life.
Receiver, OXI, Long Range	OXILR/A	OXI bi-directional long range receiver, 433.92 MHz, 1024 codes with LoRa Technology, red facia.
Transmitter, Remote, Bi-Directional, Long Range	ON3ELR/A	Era One bi-directional long range remote transmitter with LoRa technology, 433.92 MHz, red facia. Provides LED or vibrating feedback for successful transmission. Three channels.
Signs Kit, Spanish, Advertencia, Moving Gate Warning	MX002206	Two UL 325 moving gate warning signs, Spanish, 8.5 x 11 inch aluminum, includes 8 zip ties.
Signs, Moving Gate Warning, English	MX3193-01	Two UL 325 moving gate warning signs, English, 8.5 x 11 inch aluminum, includes 8 zip ties.

SlideSmart 535 Accessories

Name	Part Number	Description
Signs, Moving Gate Warning, English/French	273C	Two UL 325 moving gate warning signs, English/French, 8.5 x 11 inch aluminum, includes 8 zip ties.
Solar Panel, 12V 30W	230SP	12V 30W Solar Panel with mounting bracket and hardware. Two connected in series required for 24V systems.

SlideSmart 535 Parts and Accessories

Just a few of the many accessories available. See operator parts section for more.



35 AH BACKUP BATTERY KIT



MDKP WIRELESS KEYPAD



HY5B 2.0 VEHICLE DETECTOR



ACT KEY FOBs



MX4566 POST MOUNT



BLUEBUS PHOTO EYES
EPMORB/A, EPMAB/A



RADIO RECEIVERS & TRANSMITTERS
MTS-1, MTS-3, OXIMGC/A



BASE EXTENSION

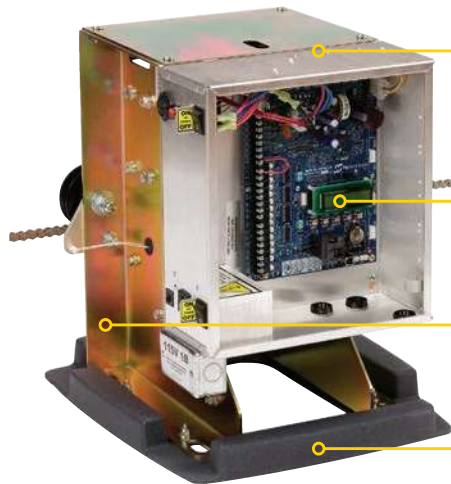


MDT VISOR TRANSMITTERS

Nice

SlideSmart™ DC

Dependable slide gate operator with battery backup. Chain drive slide gate operator that's easy on the gate hardware with features like soft start and stop, adjustable speeds, and adaptive obstruction detection. Excellent for solar applications



Safety cover protects users from pinch points in drive

Highly configurable with 70+ field adjustable settings on the Smart DC Controller.

Heavy duty chassis is low flex and corrosion resistant

Polyethylene pad base plate protects chassis against rust and corrosion



Weight and length limit: Move gates up to 1,500 lb and 40 ft.



Reliable: Battery backup provides up to 4,000 ft of travel. Upgrade batteries for up to 25,000 ft.



Programmable: Over 70 user configurable settings to meet site specific requirements.



Battery: Monitor battery conditions and maximize life with the intelligent changing system.



Diagnostics: Easy system troubleshooting with onboard event log.



Adjustable: Independent, field-adjustable open and close speeds.



Made in USA: Designed, tested and built within USA from globally source materials.



SlideSmart DC Technical Specifications

Model	SlideSmart DC 10F	SlideSmart DCS 10F Solar	SlideSmart DC 15	SlideSmart DCS 15 Solar
Duty Cycle	Continuous*	Continuous		Continuous*
Drive	Electromechanical			
Rate of Travel	1.75, 2 or 2.25 ft/s (53, 61 or 69 cm/s) Open/Close speed set independently		0.75, 1 or 1.25 ft/s (23, 30 or 38 cm/s)** Open/Close speed set independently	
Gate Length Max.	40 ft (12 m)			
Gate Weight Max.	1,000 lb (453 kg)		1,500 lb (680 kg)	
Pull Force	200 lb (90.7 kg)		300 lb (136 kg)	
UPS Battery Backup Cycles	Field configurable to fail open or secure when batteries deplete. Standard battery backup gate travel: Two 8Ah batteries. Up to 4,000 ft (1,219 m) after AC power loss. Extended battery backup gate travel: Two 50Ah batteries. Up to 25,000 ft (7,620 m) after AC power loss. **			
Temperature Rating	-13° to 158° F (-25° to 70° C)			
Operating Voltage	24VDC			
Input Voltage	115V or 208-230V 60/50Hz	24VDC solar panels - 40W min panel	115V or 208-230V 50/60Hz	24VDC solar panels - 40W min panel
Accessory Power	12VDC and 24VDC 1A each			
Included Accessories	30 ft (9 m) of #40 corrosion resistant roller chain, two steel gate mounting brackets, one premium EMX IRB-MON photo eye, one 5-foot premium ASO edge sensor and a pre-wired Hy2NC adapter			
Communication	USB, RS-232, RS-485			
User Controls	Smart DC Controller with 70+ configurable settings. 32 character LCD display and 5 tact buttons or a PC using S.T.A.R.T. software.			
Relays	Two configurable user relays: 30VDC, 3A solid state and 250VAC, 10A electromechanical; Optional Hy8Relay™ for 8 additional relay outputs			
Finish	Zinc plated chassis; molded polyethylene cover			
ETL Listed (UL 325)	Usage Class III, IV only***		Usage Class I, II, III, IV	
Cycle Tested	500,000 cycles			
Warranty	5 year (7 year single-family residential) w/product registration			

* Speed setting cannot be configured to exceed 1 ft/s for Usage Class I and II.

** The actual number of gate cycles available from battery depends upon gate resistance to travel, cycle length, battery size, state of charge and health, ambient temperature, accessory power draw and frequency of gate cycles during power outage.

SlideSmart DC Models

Model	Part number	Weight	Dimensions	Freight class
SlideSmart DC 10F	S-SSD-1-BB	160 lb	47" w x 26" d x 28" h	70
SlideSmart DCS 10F Solar	S-SSD-1-BD	150 lb	47" w x 26" d x 28" h	70
SlideSmart DC 15	S-SSD-1-BA	160 lb	47" w x 26" d x 28" h	70
SlideSmart DCS 15 Solar	S-SSD-1-BC	150 lb	47" w x 26" d x 28" h	70



Fast. SlideSmart DC 10F moves your gate fast! Gracefully start and stop, up to a 1,000 lb/40 ft gate (453 kg/12 m). Set Open/Close speed independently - adjustable 1.75, 2 or 2.25 ft/s (53 to 69 cm/s). UL Usage Class III and IV (Commercial and Industrial Applications) only. Not for residential use, or applications intended to serve the general public, due to high speed.



Solar. Operate your energy efficient SlideSmart DCS with 24V solar panels (or two 12V panels in series).† The MPPT solar battery charger regulator is integrated into the Smart DC controller, making installation as simple as connecting two wires. In locations with adequate sunshine, two 8Ah batteries provide up to 1,500 ft (457 m) of gate travel per day. Upgrade to 50Ah batteries with the Extended Battery Backup Kit option for sites requiring more than 1,500 ft of gate travel per day and/or sites in less sunny climates. The intelligent, three stage charging system monitors battery condition to maximize battery life.

SlideSmart DC Installed Options

Name	Order Code	Description
Crate, Export Shipping, SlideSmart DC 10F, 15	S-SSD-B-01	Certified heat treated wood crate for export shipping, SlideSmart DC 10F, 15
Language Pack, French Canadian, SlideSmart DC	S-SSD-A-02	French Canadian warning labels and Quick Start guide

† 40W minimum 24VDC solar panels not included but required for solar operation.

Note: Operator price includes 30 ft (9 m) of #40, corrosion resistant roller chain and two steel gate mounting brackets. Includes one premium EMX IRB-MON photo eye and one 5-foot premium ASO edge sensor (and a pre-wired Hy2NC adapter).

SlideSmart DC Accessories

Name	Part Number	Description
Base Extension, SlideSmart DC 10F, 15	MX002094	Base extension for SlideSmart DC 10F or 15, 12.5 inch tall, black, includes hardware
Battery Backup Kit, Extended	MX002141	Extended battery backup conversion kit for SlideSmart DC. Includes two 50Ah batteries, 12.5 inch base extension, hardware, and wiring
Beacon, Strobe, Amber, 24VDC	MX000997	24VDC Amber Beacon Strobe
Cable, Smart DC Controller	MX002114	Download cable with USB 2.0 A-B, 6 ft, connects laptop to Smart Touch Controller, use with Smart Touch Analyze and Retrieve Tool (S.T.A.R.T.)
Chain Bolt Attachment Kit	MX002214	Mounting hardware to attach #40 chain to gate bracket, includes two chain bolts and link connectors, does not include bracket or chain
Chain Kit, #40, Corrosion Resistant, 30 ft	MX4560	30 ft of #40 roller chain, corrosion resistant Dacroclad, with two steel mounting brackets and chain mount hardware
Detector, Vehicle, Hy5B™ 2.0	MX4621	Improved loop detector module with digital interface to SmartDC, Smart Touch 725 and all other HySecurity controllers. Automatically sets sensitivity. Automatically compensates for gate movement. Advanced loop diagnostics.
Edge Channel, 10 ft	MX4219-03	Aluminum channel, mounts low and high profile edge sensors, 10 ft
Edge Channel, 5 ft	MX4219-02	Aluminum channel, mounts low and high profile edge sensors, 5 ft
Edge Sensor Assembly, Channel Mount, High Profile	AS1502-0440-05	High profile channel mount ASO edge sensor, preassembled with end caps and aluminum mounting channel, 5 ft, 1 x 1.75 inch (1.5 m, 25 x 45 mm)
Edge Sensor Assembly, Channel Mount, Low Profile	AS1502-0430-05	Low profile channel mount ASO edge sensor, preassembled with end caps and aluminum mounting channel, 5 ft, 1 x 1.25 inch (1.5 m, 25 x 30 mm)
Edge Sensor Assembly, Wraparound, Round	AS1501-0760	Round ASO wraparound edge sensor for use on 2 inch diameter pole. Three contact surfaces for sensing contact in any direction. 5 ft x 2 inch (1.5 m x 51 mm)
Edge Sensor Assembly, Wraparound, Square	AS1501-0790	Square ASO wraparound edge sensor for use on 2 inch square pole. Three contact surfaces for sensing contact in any direction. 5 ft x 2 inch (1.5 m x 51 mm)
Edge Sensor Module, N/C adapter	MX4018	Wired Edge Sensor N/C adapter (Hy2NC™), 2 channel
Edge Sensor Roll, Channel Mount, High Profile, 82 ft	AS1502-0440	High profile channel mount ASO edge sensor, 82 ft roll x 1 x 1.75 inch (25 m x 25 x 45 mm) Used to create custom length edge sensors. Purchase channel and two end cap types to complete system.
Edge Sensor Roll, Channel Mount, Low Profile, 82 ft	AS1502-0430	Low profile channel mount ASO edge sensor, 82 ft roll x 1 x 1.25 inch (25 m x 25 x 30 mm). Used to create custom length edge sensors. Purchase channel and two end cap types to complete system.
End Cap, Edge, High Profile, 10k	AS1804-1630	Replacement end cap for high profile ASO edge sensor, with 10k resistive termination, 1 x 1.75 inch (25 x 44 mm)
End Cap, Edge, High Profile, No Resistor	AS1804-0490	Replacement end cap for ASO edge sensor without resistive termination to make a non-monitored edge to function with pre-2016 operators, 1 x 1.75 inch (25 x 44 mm)
End Cap, Edge, High Profile, Wire Leads	AS1804-0650	Replacement end cap for high profile ASO edge sensor, with wire leads, 1 x 1.75 inch (25 x 44 mm)
End Cap, Edge, Low Profile, 10K	AS1804-1620	Replacement end cap for low profile ASO edge sensor, with 10k resistive termination, 1 x 1.25 inch (25 x 32 mm)
End Cap, Edge, Low Profile, No Resistor	AS1804-0480	Replacement end cap for ASO edge sensor without resistive termination to make a non-monitored edge to function with pre-2016 operators, 1 x 1.25 inch (25 x 32 mm)
End Cap, Edge, Low Profile, Wire Leads	AS1804-0640	Replacement end cap for low profile ASO edge sensor, with wire leads, 1 x 1.25 inch (25 x 32 mm)
Noise Isolator	MX001162	Open/Close/Stop noise/lightning isolator (long distance module)
Photo Eye Kit, Reflective, 40 ft, 24VDC	MX000999	Reflective photo eye kit, 40 ft range, AC or 24VDC, includes reflector, mounting bracket and hardware
Post Mount Kit	MX002104	Kit includes post mount plate and hardware for 4 inch OD pipe, SlideSmart DC
Power Supply Kit, Remote	MX3431	Remote Power Supply Kit for Smart DC solar models only
Push Button Station, 2 Button	MX001180	Push button station, 2 button, open/close (NEMA 1)
Push Button Station, 3 Button	MX001174	Push button control station, 3 button, open/close/stop (NEMA 1)

SlideSmart DC Accessories

Name	Part Number	Description
Receiver, Remote, Antenna and Coax Cable	MCS106603	Antenna and coax cable for single and dual channel receiver
Receiver, Remote, Single Channel	MCS109950	Linear Multi-Code™ receiver, 1 channel, 300MHz, includes antenna and 3 ft cable
Relay Module, Hy8Relay, Smart DC	MX3307-01	Extended Hy8Relay module provides 8 additional programmable relay outputs for Smart DC operators
Rodent Barrier Kit	MX4366	Aluminum rodent block plate for SlideSmart DC 10F, 15 models. Helps keep rodents out of the operator chassis and electronics. Kit includes plate, Loctite and installation instructions.
Signs, Literature Kit, French Canadian	MX002202	French Canadian voltage and warning labels required for compliance with ETL/CSA standards. Includes two 8.5 x 11 inch Moving Gate Warning (Advertissement) signs translated in French Canadian, and a Quick Start guide.
Signs, Moving Gate Warning, English	MX3193-01	Two UL 325 moving gate warning signs, English, 8.5 x 11 inch aluminum, includes 8 zip ties
Signs, Moving Gate Warning, French	MX3193-02	Two UL 325 moving gate warning signs, French, 8.5 x 11 inch aluminum, includes 8 zip ties
Timer, Clock, 7 day, 24 hour	MX001307	7 day 24 hour Clock Timer
Transmitter, Remote, 1 Button	MCS308911	Linear Multi-Code™ transmitter, 1 button, 300MHz
Transmitter, Remote, 2 Button	MCS412001	Linear Multi-Code™ transmitter, 2 button, 300MHz
Edge Sensor, Wrap Around, Round, 20 Pack	MX5848	Bulk package of 20 AS1501-0760 Edge Sensors
Edge Sensor, Wrap Around, Square, 20 Pack	MX5849	Bulk package of 20 AS1501-0790 Edge Sensors
Edge Sensor, Channel Mount, Low Profile, 20 Pack	MX5850	Bulk package of 20 AS1502-0430-05 Edge Sensors
Edge Sensor, Channel Mount, High Profile, 20 Pack	MX5851	Bulk package of 20 AS1502-0440-05 Edge Sensors
Hy8Relay, SmartDC, 15 Pack	MX5855	Bulk package of 15 Hy8Relays for SmartDC products
Vehicle Detector, Hy5B, 24 Pack	MX5857	Bulk package of 24 Hy5B™ 2.0 Vehicle Detectors

SlideSmart DC Accessories

Just a few of the many accessories available. See operator parts section for more.



BATTERY BACKUP KIT - 50 AH



REMOTE POWER SUPPLY KIT



HY5B™ VEHICLE DETECTOR



HY8RELAY™



CLOCK TIMER



ASO EDGE SENSORS



PHOTO EYE KITS



RADIO RECEIVERS & TRANSMITTERS

Nice

SlideSmart™ HD

Move large, heavy gates with ease. Heavy duty pad or post-mount slide gate operator with battery backup. Reduces wear on gate and operator with controlled soft-start and soft-stop.



Rodent resistant heavy duty enclosure

Optional 1HP motor.
Lower gear ratio



Weight and length limit: Move gates up to 3,000 lb and 50 ft.



Design: Post mount or pad mount all steel rodent resistant enclosure.



UPS: Standard battery backup to keep gates moving up to 100 cycles, with battery upgrades for up to 600 cycles.



Programmable: Over 70 user configurable settings to meet site specific requirements.



Speed: HD 15F cycles in half the time as standard operators.



Troubleshooting: Easy system troubleshooting with onboard event log.



Battery: Monitor battery conditions and maximize life with the intelligent charging system.



Retrofit: Easily retrofit similar profile operators out-of-the-box.



Made in USA: Designed, tested and built within USA from globally source materials.



SlideSmart HD Technical Specifications

Model	SlideSmart HD15F	SlideSmart HD25	SlideSmart HD30
Duty Cycle	Continuous		
Drive	Electromechanical		
Rate of Travel	1.75, 2 or 2.25 ft/s (53, 61 or 69 cm/s)** Open/Close speed set independently	0.75, 1 or 1.25 ft/s (23, 30 or 38 cm/s)** Open/Close speed set independently	
Gate Length Max.	50 ft (15 m)		
Gate Weight Max.	1,500 lb (680 kg)	2,500 lb (1,134 kg)	3,000 lb (1,361 kg)
Pull Force	300 lb	450 lb*	500 lb (227 kg)*
UPS Battery Backup Cycles	Field configurable to fail open or secure when batteries deplete. Standard battery backup gate travel: Two 8Ah batteries. Up to 4,000 ft (1,219 m) after AC power loss. Extended battery backup gate travel: Two 50Ah batteries. Up to 25,000 ft (7,620 m) after AC power loss.		
Temperature Rating	-13°F to 158°F (-25°C to 70°C) No heater necessary.		
Operating Voltage	24VDC		
Input Voltage	115V or 208-230V 50/60Hz		
Accessory Power	12VDC and 24VDC 1A each		
Included Accessories	30 ft (9 m) of #40, corrosion resistant roller chain and two steel gate mounting brackets, one premium EMX IRB-MON2 photo eye, one 5-foot premium ASO edge sensor, and a pre-wired Hy2NC adapter		
Communication	USB, RS-232, RS-485		
User Controls	Smart DC Controller with 70+ configurable settings, 32 character LCD display and 5 tact buttons or a PC using S.T.A.R.T. software.		
Relays	Two configurable user relays: 30VDC, 3A solid state and 250VAC, 10A electromechanical; Optional Hy8Relay™ for 8 additional relay outputs		
Finish	Zinc rich primer and black powder coated steel cover/chassis		
ETL Listed (UL 325)	Usage Class III, IV	Usage Class I, II, III, IV	
Cycle Tested	500,000 cycles		
Warranty	5 year (7 year single-family residential) w/product registration		

* Speed setting cannot be configured to exceed 1 ft/s for Usage Class I and II.

** The actual number of gate cycles available from battery depends upon gate resistance to travel, cycle length, battery size, state of charge and health, ambient temperature, accessory power draw and frequency of gate cycles during power outage.

SlideSmart HD Models

Models	Component Part Numbers	Weight	Dimensions	Freight Class
SlideSmart HD15F	S-SSD-1-BN	190 lb	40"w x 19"d x 38"h	70
SlideSmart HD25	S-SSD-1-BE	190 lb	40"w x 19"d x 38"h	70
SlideSmart HD30	S-SSD-1-BG	190 lb	40"w x 19"d x 38"h	70



Heavy duty. Power your heavy commercial gates reliably. Attractive heavy gauge steel enclosure, with zinc rich primer chassis and black powder coated steel and secure lock cover protects operator and all moving parts. Designed for either pad mount or post mount configurations.



Fast. SlideSmart HD15F moves your gate fast! Gracefully start and stop, up to a 1,500 lb/50 ft gate (680 kg/15 m). Set Open/Close speed independently - adjustable 1.75, 2 or 2.25 ft/s (53 to 69 cm/s). UL Usage Class III and IV (Commercial and Industrial Applications) only. Not for residential use.



UPS standard battery backup uses two 8Ah batteries for up to 4,000 ft of gate travel after AC power loss. Upgrade to 50Ah batteries with the Extended Battery Backup Kit for an exceptional 25,000 ft of gate travel after AC power loss.* Continues to operate with dead or dying batteries while on AC. Field configurable to fail open or secure if batteries deplete. The intelligent, three stage charging system monitors battery condition to maximize battery life.

SlideSmart HD Installed Options

Name	Order Code	Description
Language Pack, French Canadian, SlideSmart DC	S-SSD-A-02	French Canadian warning labels and Quick Start guide

Note: Operator price includes 30 ft (9 m) of #40, corrosion resistant roller chain and two chain mounting brackets. Includes one premium EMX IRB-MON2 photo eye and one 5-foot premium ASO edge sensor (and a pre-wired Hy2NC adapter)

SlideSmart HD Accessories

Name	Part Number	Description
Base Extension and Retrofit Adapter, SlideSmart HD	MX4489	Base extension for SlideSmart HD15F, HD25, HD30. Raises operator 14 inches off foundation. Hot-dip galvanized finish. Includes retrofit adapter for other post mount operators; 24 inch inside spacing, 26 inch outside spacing.
Battery Backup Kit, Extended, SlideSmart HD	MX4415	Extended battery backup conversion kit for SlideSmart HD. Includes two 50Ah batteries and wiring.
Battery Kit, 50Ah, Replacement	MX002013	Two 12V, 50Ah batteries for optional extended battery backup kit
Beacon, Strobe, Amber, 24VDC	MX000997	24VDC Amber Beacon Strobe
Cable, Smart DC Controller	MX002114	Download cable with USB 2.0 A-B, 6 ft, connects laptop to Smart Touch Controller, use with Smart Touch Analyze and Retrieve Tool (S.T.A.R.T.)
Chain Bolt Attachment Kit	MX002214	Mounting hardware to attach #40 chain to gate bracket, includes two chain bolts and link connectors, does not include bracket or chain
Chain Kit, #40, Corrosion Resistant, 30 ft	MX4560	30 ft of #40 roller chain, corrosion resistant Dacrolad, with two steel mounting brackets and chain mount hardware
Conversion Kit, HD30 to HD15F	MX4850	Upgrades a SlideSmart HD30 to SlideSmart HD15F. Includes belt, pulleys, and drive sprocket.
Detector, Vehicle, Hy5B™ 2.0	MX4621	Improved loop detector module with digital interface to SmartDC, SmartTouch 725, and all other HySecurity controllers. Automatically sets sensitivity. Automatically compensates for gate movement. Advanced loop diagnostics.
Edge Channel, 10 ft	MX4219-03	Aluminum channel, mounts low and high profile edge sensors, 10 ft
Edge Channel, 5 ft	MX4219-02	Aluminum channel, mounts low and high profile edge sensors, 5 ft
Edge Sensor Assembly, Channel Mount, High Profile	AS1502-0440-05	High profile channel mount ASO edge sensor, preassembled with end caps and aluminum mounting channel, 5 ft, 1 x 1.75 inch (1.5 m, 25 x 45 mm)
Edge Sensor Assembly, Channel Mount, Low Profile	AS1502-0430-05	Low profile channel mount ASO edge sensor, preassembled with end caps and aluminum mounting channel, 5 ft, 1 x 1.25 inch (1.5 m, 25 x 30 mm)
Edge Sensor Module, N/C adapter	MX4018	Wired Edge Sensor N/C adapter (Hy2NC™), 2 channel
Edge Sensor Roll, Channel Mount, High Profile, 82 ft	AS1502-0440	High profile channel mount ASO edge sensor, 82 ft roll x 1 x 1.75 inch (25 m x 25 x 45 mm) Used to create custom length edge sensors. Purchase channel and two end cap types to complete system.
Edge Sensor Roll, Channel Mount, Low Profile, 82 ft	AS1502-0430	Low profile channel mount ASO edge sensor, 82 ft roll x 1 x 1.25 inch (25 m x 25 x 30 mm). Used to create custom length edge sensors. Purchase channel and two end cap types to complete system.
End Cap, Edge, High Profile, 10k	AS1804-1630	Replacement end cap for high profile ASO edge sensor, with 10k resistive termination, 1 x 1.75 inch (25 x 44 mm)
End Cap, Edge, High Profile, No Resistor	AS1804-0490	Replacement end cap for ASO edge sensor without resistive termination to make a non-monitored edge to function with pre-2016 operators, 1 x 1.75 inch (25 x 44 mm)
End Cap, Edge, High Profile, Wire Leads	AS1804-0650	Replacement end cap for high profile ASO edge sensor, with wire leads, 1 x 1.75 inch (25 x 44 mm)
End Cap, Edge, Low Profile, 10K	AS1804-1620	Replacement end cap for low profile ASO edge sensor, with 10k resistive termination, 1 x 1.25 inch (25 x 32 mm)
End Cap, Edge, Low Profile, No Resistor	AS1804-0480	Replacement end cap for ASO edge sensor without resistive termination to make a non-monitored edge to function with pre-2016 operators, 1 x 1.25 inch (25 x 32 mm)
End Cap, Edge, Low Profile, Wire Leads	AS1804-0640	Replacement end cap for low profile ASO edge sensor, with wire leads, 1 x 1.25 inch (25 x 32 mm)
Heater Kit, 115V, SlideSmart HD	MX4397	115V Heater Kit for SlideSmart HD
Heater Kit, 230V, SlideSmart HD	MX4423	230V Heater Kit for SlideSmart HD
Key, T-Lock	MX001120	Spare key for #4260-6T T-Lock, StrongArm (HTG 320), SlideDriver (222), WedgeSmart DC and SlideSmart HD covers
Noise Isolator	MX001162	Open/Close/Stop noise/lightning isolator (long distance module)

SlideSmart HD Accessories

Name	Part Number	Description
Photo Eye Kit, Reflective, 40 ft, 24VDC	MX000999	Reflective photo eye kit, 40 ft range, AC or 24VDC, includes reflector, mounting bracket and hardware
Push Button Station, 2 Button	MX001180	Push button station, 2 button, open/close (NEMA 1)
Push Button Station, 3 Button	MX001174	Push button control station, 3 button, open/close/stop (NEMA 1)
Receiver, Remote, Antenna and Coax Cable	MCS106603	Antenna and coax cable for single and dual channel receiver
Receiver, Remote, Single Channel	MCS109950	Remote receiver, 1 channel, 300MHz, includes antenna and 3 ft cable
Relay Module, Hy8Relay, Smart DC	MX3307-01	Extended Hy8Relay module provides 8 additional programmable relay outputs for Smart DC operators
Signs, Literature Kit, French Canadian	MX002202	French Canadian voltage and warning labels required for compliance with ETL/CSA standards. Includes two 8.5 x 11 inch Moving Gate Warning (Advertissement) signs translated in French Canadian, and a Quick Start guide.
Signs, Moving Gate Warning, English	MX3193-01	Two UL 325 moving gate warning signs, English, 8.5 x 11 inch aluminum, includes 8 zip ties
Timer, Clock, 7 day, 24 hour	MX001307	7 day 24 hour Clock Timer
Transmitter, Remote, 1 Button	MCS308911	Linear Multi-Code™ transmitter, 1 button, 300MHz
Transmitter, Remote, 2 Button	MCS412001	Linear Multi-Code™ transmitter, 2 button, 300MHz
Edge Sensor, Wrap Around, Round, 20 Pack	MX5848	Bulk package of 20 AS1501-0760 Edge Sensors
Edge Sensor, Wrap Around, Square, 20 Pack	MX5849	Bulk package of 20 AS1501-0790 Edge Sensors
Edge Sensor, Channel Mount, Low Profile, 20 Pack	MX5850	Bulk package of 20 AS1502-0430-05 Edge Sensors
Edge Sensor, Channel Mount, High Profile, 20 Pack	MX5851	Bulk package of 20 AS1502-0440-05 Edge Sensors
Hy8Relay, SmartDC, 15 Pack	MX5855	Bulk package of 15 Hy8Relays for SmartDC products
Vehicle Detector, Hy5B, 24 Pack	MX5857	Bulk package of 24 Hy5B™ 2.0 Vehicle Detectors

SlideSmart HD Accessories

Just a few of the many accessories available. See operator parts section for more.



BATTERY BACKUP KIT - 50 AH



REMOTE POWER SUPPLY KIT



HY5B™ VEHICLE DETECTOR



HY8RELAY™



CLOCK TIMER



ASO EDGE SENSORS



PHOTO EYE KITS

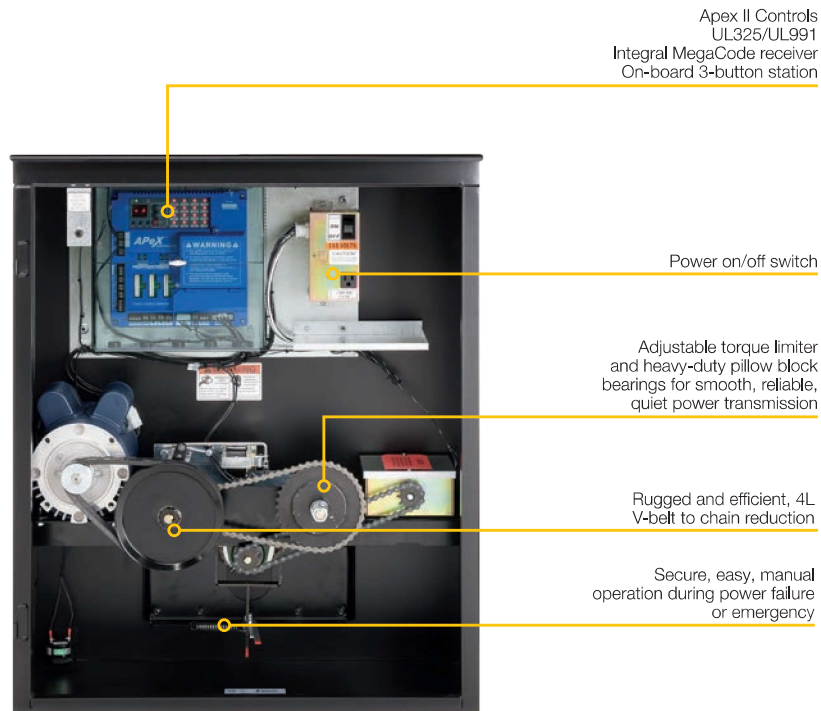


RADIO RECEIVERS & TRANSMITTERS

Nice

Linear LG

The original Post Mount Slide Gate Operator. Commercial/ Industrial slide gate optimized for harsh weather and high use applications.



HSLG Shown



Weight and length limit: Move gates up to 4,000 lb and 100 ft.



Design: Post mount, all steel, rodent resistant enclosure with room for auxiliary equipment.



Drive: Vee belt or direct drive gear reducer models, with disconnect for easy manual operation.



Speed: High speed models cycle gates at up to 2 ft/sec.



Troubleshooting: Easy system troubleshooting with onboard event log.



Made in USA: Designed, tested and built within USA from globally source materials.

Linear LG Technical Specifications

Model	HSLG			GSLG-A			VS-GSLG		
Duty Cycle	Continuous								
Drive	AC Motor with Multiphase Chain Reducer			AC Gear Motor			VFD Gear Motor		
Rate of Travel	10 in/sec			12 in/sec			Variable up to 24 in/sec		
Gate Length Max.	35 ft (10 m)	45 ft (13.7m)	55 ft (16.7m)	45 ft (13.7)	60 ft (18.3m)	78 ft (23.7m)	45 ft (13.7m)	70 ft (21.3m)	100 ft (30.5M)
Gate Weight Max.	1000 lbs (450 kg)	1200 lbs (545 kg)	1700 lbs (770 kg)	1100 lbs (500 kg)	1400 lbs (635 kg)	2200 lbs (1000 kg)	1100 lbs (500 kg)	2500 lbs (1135 kg)	4000 lbs (1800 kg)
Single Phase Voltage	115, 208, 230 VAC 60 Hz								
Three Phase Voltage	208/230/460 VAC 60Hz								
Accessory Power	24 VDC, Duplex 115 VAC receptacles (115V Models)								
User Controls	APeX II Control Board with two character LED display and integrated MEGACODE receiver								
Relays	One relay for magnetic or solenoid lock, strobe, or audible alarm								
Finish	Durable black powdercoat								
ETL Listed (UL 325)	Usage Class I, II, III, IV						Usage Class III, IV		
Warranty	5 year								

Linear LG Models

Model	HP	Voltage & Phase	Maximum gate weight	Maximum gate length
HSLG-211	1/2	115V 1P	1000 lbs	35 ft.
HSLG-221		208-230V 1P		
HSLG-283		208V 3P		
HSLG-223		230V 3P		
HSLG-243		460V 3P		
HSLG-411	3/4	115V 1P	1200 lbs.	45 ft.
HSLG-421		208-230V 1P		
HSLG-483		208V 3P		
HSLG-423		230V 3P		
HSLG-443		460V 3P		
HSLG-111	1	115V 1P	1700 lbs.	55 ft.
HSLG-121		208-230V 1P		
HSLG-183		208V 3P		
HSLG-123		230V 3P		
HSLG-143		460V 3P		
GSLG-A-211	1/2	115V 1P	1100 lbs.	45 ft.
GSLG-A-221		208-230V 1P		
GSLG-A-283		208V 3P		
GSLG-A-223		230V 3P		
GSLG-A-243		460V 3P		
GSLG-A-411	3/4	115V 1P	1400 lbs.	60 ft.
GSLG-A-421		208-230V 1P		
GSLG-A-483		208V 3P		
GSLG-A-423		230V 3P		
GSLG-A-443		460V 3P		

Linear LG Models

Model	HP	Voltage & Phase	Maximum gate weight	Maximum gate length
GSLG-A-111	1	115V 1P	2200 lbs.	78 ft.
GSLG-A-121		208-230V 1P		
GSLG-A-183		208V 3P		
GSLG-A-123		230V 3P		
GSLG-A-143		460V 3P		
VS-GSLG-211	1/2	115V 1P	1100 lbs.	45 ft.
VS-GSLG-221		208-230V 1P		
VS-GSLG-283		208V 3P		
VS-GSLG-223		230V 3P		
VS-GSLG-243		460V 3P		
VS-GSLG-111	1	115V 1P	2500 lbs.	78 ft.
VS-GSLG-121		208-230V 1P		
VS-GSLG-183		208V 3P		
VS-GSLG-123		230V 3P		
VS-GSLG-143		460V 3P		
VS-GSLG-721	2	208-230V 1P	4000 lbs	100 ft.
VS-GSLG-783		208V 3P		
VS-GSLG-723		230V 3P		
VS-GSLG-743		460V 3P		

Each Linear LG operator includes the choice of one of these chain kits:

Linear LG Accessories

Part Number	Description
2650-115-11	HSLG #40 Chain 38 Feet
2650-115-10	HSLG #40 Chain 31 Feet
2650-115-12	HSLG #40 Chain 46 Feet
2650-115-13	HSLG #40 Chain 53 Feet
2650-115-15	HSLG #40 Chain 69 Feet
2650-115-17	GSLG-A/Vs-GSLG #50 Chain 38 Ft
2650-115-16	GSLG-A/Vs-GSLG #50 Chain 31 Ft
2650-115-18	GSLG-A/Vs-GSLG #50 Chain 46 Ft
2650-115-19	GSLG-A/Vs-GSLG #50 Chain 53 Ft
2650-115-20	GSLG-A/Vs-GSLG #50 Chain 61 Ft
2650-115-21	GSLG-A/Vs-GSLG #50 Chain 69 Ft
2650-115-22	GSLG-A/Vs-GSLG #50 Chain 76 Ft

Linear LG Accessories

Part Number	Description
2120-047-BT	Pad Mounting Pedestal for Large Gate Slide Models
2120-441-BT	Pad Mounting Pedestal Brackets for Large Gate Slide Models
2500-2014	Primary/Secondary Communication Cable, 50FT
2500-2015	Primary/Secondary Communication Cable, 100FT
620-100989	115V Cage Heater
620-100990	230V Cage Heater
620-100991	460V Cage Heater
2120-478-YS	Photo Eye Mounting Pedestal Set – Yellow
2120-478-BT	Photo Eye Mounting Pedestal Set – Black
190-110742	Omron Photo Eye Receiver and Transmitter
2520-031	Omron Photo Eye Reflector and Hood with Additional Mounting Brackets
2500-2346	Plug-In Vehicle Loop Detector
2500-2118	Preformed XLP Vehicle Detector Loop, 6' X 10'
2500-1502	Preformed PVC Vehicle Detector Loop, 6' X 12'
2510-195	Preformed PVC Vehicle Detector Loop, 6' X 15'
1600-542	Vehicle Loop Detector Loop Sealant - Black
1600-818	Vehicle Loop Detector Loop Sealant - Grey
2510-222	Loop Wire Kit with Sealant (200 ft XLP, 2 black tubes)
2510-015	Loop Wire Kit with Sealant (200 ft XLP, 1 black tube)
2500-2420	Vehicle Loop Detector Wiring Harness
2500-2509	APeX Remote Loop Detector Wiring Harness
2500-2377	EDI Loop Detector

SwingGate Operator

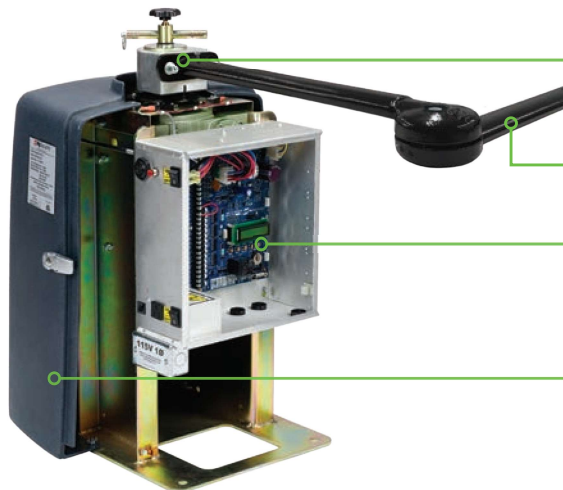


SwingSmart™ DC	43
SwingSmart DC 20 Models	45
SwingSmart DC 20 Installed Options.....	45
SwingSmart DC 20 Accessories.....	46
SwingSmart™ 535	49
SwingSmart™ 535 Technical Specifications	50
SwingSmart 535 Models	51
SwingSmart 535 Installed Options	51
SwingSmart 535 Accessories	52

Nice

SwingSmart™ DC

Dependable swing gate operator with battery backup. Pad mount swing gate operator for commercial and residential installations. Features adaptive obstruction detection and torque limiting taper clamp for safe and reliable service. Excellent for solar applications.



Patented manual override and torque limiting clamp

Universal cast steel arm with integral protection from pinch points

Configure gate with 70+ field adjustable settings on the Smart DC Controller

Key-locked, fade resistant, roto-molded cover is easy to remove



Move: Gates leaf up to 1,300 lb or 20 ft long.



Durable: Patented taper clamp provides adjustable protection from high winds and gate strikes.



Troubleshooting: Easy system troubleshooting with onboard event log.



Programmable: Field programmable to specific site requirements.



UPS: Keeps gates moving after power loss up to 300 cycles with standard batteries and 1,200 cycles with extended batteries.



SmartSync™ : Synchronizes dual gates automatically, with ease.



Battery: Intelligent charging system monitors battery condition to maximize battery life.



Adjustable: Independent, field-adjustable open and close speeds.



Made in USA: Designed, tested and built within USA from globally source materials.





SlideSmart DC Technical Specifications

Model	SwingSmart DC 20	SwingSmart DCS 20 Solar
Single or Twin	Single leaf	
Duty Cycle	Continuous	100 cycles/day*
Drive	Electromechanical	
Open/Close Time	Open/Close speed set independently. Adjustable 10 to 15 seconds.	
Gate Length Max.	20 ft (6 m) each leaf	
Gate Weight Max.	1,300 lb (590 kg) for 12 ft (4 m) leaf; 800 lb (363 kg) for a 16 ft (5 m) leaf; 600 lb (272 kg) for a 20 ft (6 m) leaf	
UPS Battery Backup Cycles	Field configurable to fail open or secure if batteries deplete. Standard battery backup cycles: Two 8Ah batteries. Up to 300 cycles after AC power loss. Extended battery backup cycles: Two 50Ah batteries. Up to 1,200 cycles after AC power loss.*	
Temperature Rating	-13° to 158° F (-25° to 70° C)	
Operating Voltage	24VDC	
Input Voltage	115V or 208-230V 50/60Hz	24VDC solar panels - 40W min panel (Solar panels sold separately)
Accessory Power	12VDC and 24VDC 1A each	
Included Accessories	One premium EMX IRB-MON2 photo eye and two 8Ah batteries for backup power	
Communication	USB, RS-232, RS-485	
User Controls	Smart DC Controller with 70+ configurable settings. 32 character LCD display and 5 tact buttons or a PC using S.T.A.R.T. software.	
Relays	Two configurable user relays: 30VDC, 3A solid state and 250VAC, 10A electromechanical; Optional Hy8Relay™ for 8 additional relay outputs	
Finish	Zinc plated chassis; polyethylene clam shell cover	
ETL Listed (UL 325)	Usage Class I, II, III, IV	
Cycle Tested	500,000 cycles	
Warranty	5 year (7 year single-family residential) w/product registration	

* The actual number of gate cycles available from battery depends upon gate resistance to travel, cycle length, battery size, state of charge and health, ambient temperature, accessory power draw and frequency of gate cycles during power outage.

SwingSmart DC 20 Models

Models	Component Part Numbers	Weight	Dimensions	Freight Class
SwingSmart DC 20	S-SWD-1-B0	173 lb	47" w x 26" d x 43" h	70
SwingSmart Solar DCS 20	S-SWD-1-B1	195 lb	47" w x 26" d x 43" h	70

	<p>UPS standard battery backup uses two 8Ah batteries for 300 cycles after AC power loss. Upgrade to 50Ah batteries with the Extended Battery Backup Kit for an exceptional 1,200 cycles after AC power loss. Continues to operate with dead or dying batteries while on AC. Field configurable to fail open or secure if batteries deplete. The intelligent, three stage charging system monitors battery condition to maximize battery life.</p>
	<p>Solar. When there's no AC access and plenty of sun, operate energy efficient SwingSmart DCS 20 with solar panels.† MPPT (Maximum Power Point Tracking) solar battery charge regulator is integrated into the Smart DC controller, making installation as simple as connecting two wires. In locations with adequate sunshine, two 8Ah batteries provide up to 100 gate cycles per day. Upgrade to larger solar panels and 50Ah batteries with the Extended Battery Backup Kit option for sites requiring more than 100 gate cycles per day and/or sites in less sunny climates. The intelligent, three stage charging system monitors battery condition to maximize battery life.</p>

SwingSmart DC 20 Installed Options

Name	Order code	Description
Arm Assembly, Dual Pivot	S-SWD-5-A3	Dual pivot gate arm assembly for applications involving uneven grade. For left or right handing gates, includes pinch protection cover.
Arm Assembly, Universal, Next Gen	S-SWD-5-A4	Universal gate arm assembly for left or right handing gate.
Crate, Export Shipping, SwingSmart DC	S-SWD-B-01	Certified heat treated wood crate for export shipping, SwingSmart DC
Language Pack, French Canadian, SwingSmart DC	S-SWD-A-02	French Canadian warning labels and Quick Start guide

† 40 Watt minimum 24VDC solar panel (or two 12V - 20W panels wired in series), not included but required for solar operation.

SwingSmart DC 20 Accessories

Name	Part Number	Description
Arm Assembly, Dual Pivot	MX4000	Articulating gate arm for applications involving uneven grade. For left or right handing gates.
Arm Assembly, Universal, Next Gen	MX4005	Next Gen universal gate arm assembly, elliptical arms, no pinch covers required. For left and right handing Swing gates.
Arm Hinge Stop, Set-Screw	MX4575	Set-screw, Universal Arm hinge stop, set of 10, for the SwingSmart DC
Arm, Rod End, Swivel	MX4238	Rod end for use with universal arm assembly (MX4005), SwingSmart 535 and SwingSmart DC after October 2018.
Arm, Universal, Service Kit	MX4535	Service kit for rebuilding the arm hinge joint on universal gate arm (MX4005)
Battery Backup Kit, Extended	MX001810	Extended battery backup conversion kit for SwingSmart DC. Includes two 50Ah batteries, mounting bracket, hardware, and wiring.
Battery Kit, 50Ah, Replacement	MX002013	Two 12V, 50Ah batteries for optional extended battery backup kit
Battery Kit, 8Ah, Replacement	MX002008	Two 12V, 8Ah batteries
Battery, 3V, Lithium	MX000346	3V Smart Touch Controller/Smart DC Controller lithium battery
Beacon, Strobe, Amber, 24VDC	MX000997	24VDC Amber Beacon Strobe
Cable, Smart DC Controller	MX002114	Download cable with USB 2.0 A-B, 6 ft, connects laptop to Smart Touch Controller, use with Smart Touch Analyze and Retrieve Tool (S.T.A.R.T.)
Detector, Vehicle, Hy5B™ 2.0	MX4621	Improved loop detector module with digital interface to SmartDC, SmartTouch 725 and all other HySecurity controllers. Automatically sets sensitivity. Automatically compensates for gate movement. Advanced loop diagnostics.
Edge Channel, 10 ft	MX4219-03	Aluminum channel, mounts low and high profile edge sensors, 10 ft
Edge Channel, 5 ft	MX4219-02	Aluminum channel, mounts low and high profile edge sensors, 5 ft
Edge Sensor Assembly, Channel Mount, High Profile	AS1502-0440-05	High profile channel mount ASO edge sensor, preassembled with end caps and aluminum mounting channel, 5 ft, 1 x 1.75 inch (1.5 m, 25 x 45 mm)
Edge Sensor Assembly, Channel Mount, Low Profile	AS1502-0430-05	Low profile channel mount ASO edge sensor, preassembled with end caps and aluminum mounting channel, 5 ft, 1 x 1.25 inch (1.5 m, 25 x 30 mm)
Edge Sensor Assembly, Wraparound, Round	AS1501-0760	Round ASO wraparound edge sensor for use on 2 inch diameter pole. Three contact surfaces for sensing contact in any direction. 5 ft x 2 inch (1.5 m x 51 mm)
Edge Sensor Assembly, Wraparound, Square	AS1501-0790	Square ASO wraparound edge sensor for use on 2 inch square pole. Three contact surfaces for sensing contact in any direction. 5 ft x 2 inch (1.5 m x 51 mm)
Edge Sensor Module, N/C adapter	MX4018	Wired Edge Sensor N/C adapter (Hy2NC™), 2 channel
Edge Sensor Roll, Channel Mount, High Profile, 82 ft	AS1502-0440	High profile channel mount ASO edge sensor, 82 ft roll x 1 x 1.75 inch (25 m x 25 x 45 mm) Used to create custom length edge sensors. Purchase channel and two end cap types to complete system.
Edge Sensor Roll, Channel Mount, Low Profile, 82 ft	AS1502-0430	Low profile channel mount ASO edge sensor, 82 ft roll x 1 x 1.25 inch (25 m x 25 x 30 mm). Used to create custom length edge sensors. Purchase channel and two end cap types to complete system.
End Cap, Edge, High Profile, 10k	AS1804-1630	Replacement end cap for high profile ASO edge sensor, with 10k resistive termination, 1 x 1.75 inch (25 x 44 mm)
End Cap, Edge, High Profile, No Resistor	AS1804-0490	Replacement end cap for ASO edge sensor without resistive termination to make a non-monitored edge to function with pre-2016 operators, 1 x 1.75 inch (25 x 44 mm)
End Cap, Edge, High Profile, Wire Leads	AS1804-0650	Replacement end cap for high profile ASO edge sensor, with wire leads, 1 x 1.75 inch (25 x 44 mm)
End Cap, Edge, Low Profile, 10K	AS1804-1620	Replacement end cap for low profile ASO edge sensor, with 10k resistive termination, 1 x 1.25 inch (25 x 32 mm)
End Cap, Edge, Low Profile, No Resistor	AS1804-0480	Replacement end cap for ASO edge sensor without resistive termination to make a non-monitored edge to function with pre-2016 operators, 1 x 1.25 inch (25 x 32 mm)
End Cap, Edge, Low Profile, Wire Leads	AS1804-0640	Replacement end cap for low profile ASO edge sensor, with wire leads, 1 x 1.25 inch (25 x 32 mm)

SwingSmart DC 20 Accessories

Name	Part Number	Description
Noise Isolator	MX001162	Open/Close/Stop noise/lightning isolator (long distance module)
Photo Eye Kit, Reflective, 40 ft, 24VDC	MX000999	Reflective photo eye kit, 40 ft range, AC or 24VDC, includes reflector, mounting bracket and hardware
Photo Eye Kit, Through Beam, 65 ft	MX3990	Wired through beam photo eye kit with 65 ft max range limit, wired, 6-35VDC, 12-24VAC. Mounting bracket and hardware included.
Power Supply Kit, Remote	MX3431	Remote Power Supply Kit for Smart DC solar models only
Push Button Station, 2 Button	MX001180	Push button station, 2 button, open/close (NEMA 1)
Push Button Station, 3 Button	MX001174	Push button control station, 3 button, open/close/stop (NEMA 1)
Receiver, Remote, Antenna and Coax Cable	MCS106603	Antenna and coax cable for single and dual channel receiver
Receiver, Remote, Single Channel	MCS109950	Remote receiver, 1 channel, 300MHz, includes antenna and 3 ft cable
Relay Module, Hy8Relay, Smart DC	MX3307-01	Extended Hy8Relay module provides 8 additional programmable relay outputs for Smart DC operators
Signs, Literature Kit, French Canadian	MX002202	French Canadian voltage and warning labels required for compliance with ETL/CSA standards. Includes two 8.5 x 11 inch Moving Gate Warning (Advertissement) signs translated in French Canadian, and a Quick Start guide.
Slow Speed Drive Kit	MX3903	Slow SwingSmart DC operator down to 15-22 seconds to open/close. Improve gate function on large/heavy gates or gates that encounter more wind resistance. Kit includes pulley and belt.
Timer, Clock, 7 day, 24 hour	MX001307	7 day 24 hour Clock Timer
Transmitter, Remote, 1 Button	MCS308911	Remote transmitter, 1 button, 300MHz
Transmitter, Remote, 2 Button	MCS412001	Remote transmitter, 2 button, 300MHz
Edge Sensor, Wrap Around, Round, 20 Pack	MX5848	Bulk package of 20 AS1501-0760 Edge Sensors
Edge Sensor, Wrap Around, Square, 20 Pack	MX5849	Bulk package of 20 AS1501-0790 Edge Sensors
Edge Sensor, Channel Mount, Low Profile, 20 Pack	MX5850	Bulk package of 20 AS1502-0430-05 Edge Sensors
Edge Sensor, Channel Mount, High Profile, 20 Pack	MX5851	Bulk package of 20 AS1502-0440-05 Edge Sensors
Hy8Relay, SmartDC, 15 Pack	MX5855	Bulk package of 15 Hy8Relays for SmartDC products
Vehicle Detector, Hy5B, 24 Pack	MX5857	Bulk package of 24 Hy5B™ 2.0 Vehicle Detectors

SwingSmart DC 20 Accessories

Just a few of the many accessories available. See operator parts section for more.



BATTERY BACKUP KIT - 50 AH



REMOTE POWER SUPPLY KIT



HY5B™ VEHICLE DETECTOR



HY8RELAY™



CLOCK TIMER



ASO EDGE SENSORS



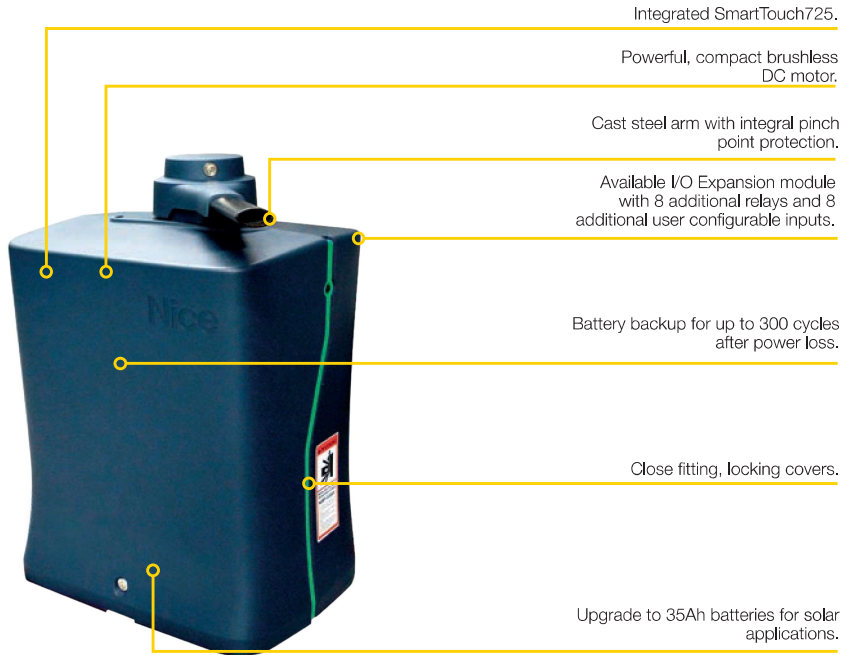
PHOTO EYE KITS



RADIO RECEIVERS &
TRANSMITTERS

SwingSmart™ 535

The industry's smartest swing gate operator. The swing gate operator with advanced controls and communications. Perfect for commercial or community sites with high traffic flow or increase monitoring needs.



Weight limit: Move gates up to 1,300 lbs.



UPS: Standard battery backup to keep gates moving up to 300 cycles after power loss.



Programmable: SmartTouch 725 controllers offers Over 70 user configurable settings to meet site specific requirements.



Durable: Taper Clamp provides adjustable protection from high winds and gate strikes.



Advanced: New SmartBLDC Power Module uses advanced technology to maximize motor power, provide ultra-smooth starts and stops, and manage battery charging.



Diagnostics: Easy system troubleshooting with onboard event log.



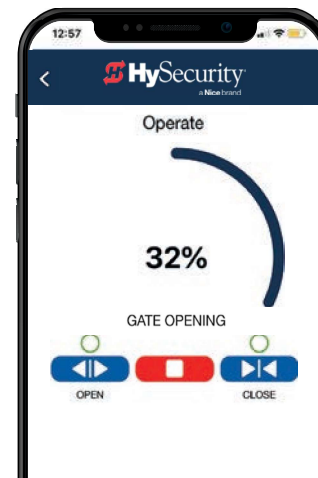
Adjustable: Independent, field-adjustable open and close speeds.



Made in USA: Designed, tested and built within USA from globally source materials.

SmartTouch™ 725

- Bluetooth connectivity for easy setup and HyNet technology
- More than 70 user settings
- Configure everything wirelessly from smart-phone interface
- Built-in diagnostic and remote monitoring management and maintenance capabilities



Works with HySecurity installer app.



SwingSmart™ 535 Technical Specifications

Model	SwingSmart 535
Single or Twin	Single leaf
Duty Cycle	Continuous
Horsepower	Equivalent to 1/2 hp
Drive	Electromechanical - 24V Brushless DC motor with direct drive power train
Open/Close Time	Open/Close time set independently.
Gate Length Max.	20 ft (6 m) each leaf
Gate Weight Max.	1,300 lb (590 kg) for 12 ft (4 m) leaf; 800 lb (363 kg) for a 16 ft (5 m) leaf; 600 lb (272 kg) for a 20 ft (6 m) leaf
UPS Battery Backup Cycles	Field configurable to fail open or secure when batteries deplete. Standard battery backup gate travel: Two 12V 8Ah batteries. Up to 300 cycles after AC power loss. Extended battery backup gate travel: Two 12V 35Ah batteries. Up to 1,000 cycles after AC power loss.
Temperature Rating	-13° to 158° F (-25° to 70° C)
Operating Voltage	24VDC
Input Voltage	Switch select 115V or 208-230V, 60/50 Hz; Solar: 24V solar panels †
Accessory Power	24VDC at each input & SS relay (2A accumulative)
Included Accessories	One Nice EPMAB through-beam photo eye with BlueBUS technology and two 8Ah batteries for backup power.
Communication	BlueBUS, USB, Ethernet, T4, RS-485, Bluetooth, OXI receiver
User Controls	SmartTouch 725 Controller with 70+ configurable settings. 32 character OLED display and 7 tactile buttons, or Bluetooth smartphone interface, for programming.
Inputs	15 inputs including 5 control inputs, 2 dedicated entrapment sensor inputs, 3 user programmable inputs, a BlueBUS port, and 4 Hy5B vehicle detectors sockets. Optional I/O Expansion module for 8 additional user programmable inputs.
Relays	3 configurable user relays: Two - 30VDC, 2A solid state. One 250VAC, 20A electromechanical; Optional SmartCNX I/O Expansion module for 8 additional relay outputs.
Finish	Zinc rich primer with black powder coated chassis. High impact copolymer cover.
ETL Listed (UL 325)	Usage Class I, II, III, IV
Warranty	5 year (7 year single-family residential) w/product registration

* The actual number of gate cycles available from battery depends upon gate resistance to travel, cycle length, battery size, state of charge and health, ambient temperature, accessory power draw and frequency of gate cycles during power outage.

SwingSmart 535 Models

Model	Part number	Weight	Dimensions	Freight class
SwingSmart 535 - A with Dual Pivot Arm	SWS535A	190 lbs	47" w x 26" d x 43" h	70

SwingSmart 535 Installed Options

Name	Order Code	Description
Export Kit	MX5963	Sturdy plywood crate certified for export. Includes French Language signage.

SwingSmart 535 Accessories

Name	Part Number	Description
Base Extension, SlideSmart 535	MX4664	Four inch SlideSmart 535 base extension for side entry of conduit. Mounts to first generation bolt pattern for retrofit. Powder coat over zinc-rich primer for excellent corrosion resistance.
Base Extension, SwingSmart 535	MX4663	Four inch SwingSmart 535 base extension for side entry of conduit. Mounts to first generation bolt pattern for retrofit. Powder coat over zinc-rich primer for excellent corrosion resistance.
Battery Backup Kit, Extended, 35Ah	MX4490	Extended battery backup kit. Includes two 35Ah batteries, wire harness, and support bracket, for SlideSmart and SwingSmart 535 models.
Battery Kit, 8Ah, Replacement	MX002008	Two 12V, 8Ah batteries.
Beacon, Strobe, Amber, 24VDC	MX000997	24VDC Amber Beacon Strobe.
Chain Extension Kit, Corrosion Resistant, 10 ft	MX002212	10 ft of #40 roller chain, corrosion resistant, Dacrodad, includes two connector links.
Chain Kit, Stainless Steel, 10 ft	MX002213	10 ft of #40 roller chain, stainless steel, includes two connector links
Detector, Vehicle, Hy5B™ 2.0	MX4621	Improved loop detector module with digital interface to SmartTouch 725 and all other HySecurity controllers. Automatically sets sensitivity. Automatically compensates for gate movement. Advanced loop diagnostics.
Edge Channel, 10 ft	MX4219-03	Aluminum channel, mounts low and high profile edge sensors, 10 ft.
Edge Channel, 5 ft	MX4219-02	Aluminum channel, mounts low and high profile edge sensors, 5 ft.
Edge Sensor Assembly, Channel Mount, High Profile	AS1502-0440-05	High profile channel mount ASO edge sensor, preassembled with end caps and aluminum mounting channel, 5 ft, 1 x 1.75 inch (1.5 m, 25 x 45 mm).
Edge Sensor Assembly, Channel Mount, Low Profile	AS1502-0430-05	Low profile channel mount ASO edge sensor, preassembled with end caps and aluminum mounting channel, 5 ft, 1 x 1.25 inch (1.5 m, 25 x 30 mm).
Edge Sensor Assembly, Wraparound, Round	AS1501-0760	Round ASO wraparound edge sensor for use on 2 inch diameter pole. Three contact surfaces for sensing contact in any direction. 5 ft x 2 inch (1.5 m x 51 mm).
Edge Sensor Assembly, Wraparound, Square	AS1501-0790	Square ASO wraparound edge sensor for use on 2 inch square pole. Three contact surfaces for sensing contact in any direction. 5 ft x 2 inch (1.5 m x 51 mm).
Edge Sensor Roll, Channel Mount, High Profile, 82 ft	AS1502-0440	"High profile channel mount ASO edge sensor, 82 ft roll x 1 x 1.75 inch (25 m x 25 x 45 mm) Used to create custom length edge sensors. Purchase channel and two end cap types to complete system."
Edge Sensor Roll, Channel Mount, Low Profile, 82 ft	AS1502-0430	"Low profile channel mount ASO edge sensor, 82 ft roll x 1 x 1.25 inch (25 m x 25 x 30 mm). Used to create custom length edge sensors. Purchase channel and two end cap types to complete system."
End Cap, Edge, High Profile, 10k	AS1804-1630	Replacement end cap for high profile ASO edge sensor, with 10k resistive termination, 1 x 1.75 inch (25 x 44 mm).

SwingSmart 535 Accessories

Name	Part Number	Description
End Cap, Edge, High Profile, No Resistor	AS1804-0490	Replacement end cap for ASO edge sensor without resistive termination to make a non-monitored edge to function with pre-2016 operators, 1 x 1.75 inch (25 x 44 mm).
End Cap, Edge, High Profile, Wire Leads	AS1804-0650	Replacement end cap for high profile ASO edge sensor, with wire leads, 1 x 1.75 inch (25 x 44 mm).
End Cap, Edge, Low Profile, 10K	AS1804-1620	Replacement end cap for low profile ASO edge sensor, with 10k resistive termination, 1 x 1.25 inch (25 x 32 mm).
End Cap, Edge, Low Profile, No Resistor	AS1804-0480	Replacement end cap for ASO edge sensor without resistive termination to make a non-monitored edge to function with pre-2016 operators, 1 x 1.25 inch (25 x 32 mm).
End Cap, Edge, Low Profile, Wire Leads	AS1804-0640	Replacement end cap for low profile ASO edge sensor, with wire leads, 1 x 1.25 inch (25 x 32 mm).
Photo Eye Kit, Reflective, 40 ft, 24VDC	MX000999	Reflective photo eye kit, 40 ft range, AC or 24VDC, includes reflector, mounting bracket and hardware.
Photo Eye Kit, Through Beam, 65 ft	MX3990	Wired through beam photo eye kit with 65 ft max range limit, wired, 6-35VDC, 12-24VAC. Mounting bracket and hardware included.
Photo Eye w/BlueBUS, Through-Beam, Adjustable, Large	EPLOB/A	Through-beam photo eye with Nice BlueBUS communications technology. Adjustable optics are positionable to 30° in large size housing. Requires BlueBUS enabled controller. For use with the 936/1050/XBA3/BCU1/SmartTouch 725 and Mercury 310 controllers.
Photo Eye w/BlueBUS, Through-Beam, Non-Adjustable	EPMB/A	Through-beam photo eye with Nice BlueBUS communications technology and medium size housing. Requires BlueBUS enabled controller. For use with the 936/1050/XBA3/BCU1/SmartTouch 725 and Mercury 310 controllers.
"Photo Eye w/BlueBUS, Through-Beam, Non-Adjustable, Metal"	EPMAB/A	Through-beam photo eye with Nice BlueBUS communications technology and solid, durable, medium size cast metal alloy housing. Requires BlueBUS enabled controller. For use with the 936/1050/XBA3/BCU1/SmartTouch 725 and Mercury 310 controllers.
Post Mount Kit	MX4566	Post mount kit, includes bracket, fasteners, and Ubolt for 4 inch pipe. SlideSmart or SwingSmart 535 models.
Push Button Station, 2 Button	MX001180	Push button station, 2 button, open/close (NEMA 1).
Push Button Station, 3 Button	MX001174	Push button control station, 3 button, open/close/stop (NEMA 1).
OXI MegaCode Receiver	OXIMGC/A	MegaCode receiver compatible with SmartTouch 725, Mercury 310, 1050US controllers. Works with all Linear MegaCode radio controls. Does not support block-coding.
MTS3, 3 Button Visor Megacode transmitter	DNT00093	Stylish small-form-factor, low-profile Remote controls up to three MegaCode receiver and can be attached to your car's visor.
MTS1, 1 Button Visor Megacode transmitter	DNT00091	Stylish small-form-factor, low-profile Remote controls one MegaCode receiver and can be attached to your car's visor.

SwingSmart 535 Accessories

Name	Part Number	Description
MDKP Exterior Wireless Keypad	ACP00878	The Model MDKP Exterior Wireless Keypad can transmit a unique signal for each 1-6 digit PIN code entered. It has a built-in radio transmitter with a 250-foot range in line-of-sight conditions.
Remote Whip Antenna	MCS106603	Externally mounted antenna for MegaCode receiver, improves range and reliability. Includes mounting bracket, 15 foot coax cable and type-F connector.
MDT-1A 1-Channel Visor Transmitter	DNT00052A	One-channel commercial grade visor transmitter designed for use with Nice/Linear's access control products. Includes lithium batteries with a five-year service life.
MDT-2A 3-Channel Visor Transmitter	DNT00053A	Three-channel commercial grade visor transmitter designed for use with Nice/Linear's access control products. Includes lithium batteries with a five-year service life.
MDT-4A 5-Channel Visor Transmitter	DNT00054A	Five-channel commercial grade visor transmitter designed for use with Nice/Linear's access control products. Includes lithium batteries with a five-year service life.
ACT-31B 1-Channel Key Ring Transmitter	ACP00879	Single-channel key fob transmitter supplied with a quick-disconnect key ring. Uses lithium batteries with a five-year service life.
ACT-34B 4-Channel Key Ring Transmitter	ACP00872	Four-channel key fob transmitter supplied with a quick-disconnect key ring. Uses lithium batteries with a five-year service life.
ACT-31D 1-Channel Key Ring Transmitter & Prox Tag	ACP00954	Single channel factory block-coded key fob transmitter with a 26-bit Wiegand proximity tag programmed to the same block code as the transmitter. The tag is compatible with the Linear model AM-PR Proximity Reader. Supplied with a quick-disconnect key ring. Also included are lithium batteries with a five-year service life.
ACT-34D 4-Channel Key Ring Transmitter & Prox Tag	ACP00955	Four-channel factory block-coded key fob transmitter with a 26-bit Wiegand proximity tag programmed to the same block code as the transmitter. The tag is compatible with the Linear model AM-PR Proximity Reader. Supplied with a quick-disconnect key ring. Also included are lithium batteries with a five-year service life.
ACT-31DH Key Ring Trans & HID, 1-Channel	ACP00957	Single channel factory block-coded key fob transmitter with embedded 26-bit HID compatible proximity tag. Designed for use with Nice/Linear's access control products. Supplied with a quick-disconnect key ring. Also included are lithium batteries with a five-year service life.
ACT-34DH Key Ring Trans & HID, 4-Channel	ACP00958	Four-channel factory block-coded key fob transmitter with embedded 26-bit HID compatible proximity tag. Designed for use with Nice/Linear's access control products. Supplied with a quick-disconnect key ring. Also included are lithium batteries with a five-year service life.
Receiver, OXI, Long Range	OXILR/A	OXI bi-directional long range receiver, 433.92 MHz, 1024 codes with LoRa Technology, red facia.
Transmitter, Remote, Bi-Directional, Long Range	ON3ELR/A	Era One bi-directional long range remote transmitter with LoRa technology, 433.92 MHz, red facia. Provides LED or vibrating feedback for successful transmission. Three channels.
Signs Kit, Spanish, Advertencia, Moving Gate Warning	MX002206	Two UL 325 moving gate warning signs, Spanish, 8.5 x 11 inch aluminum, includes 8 zip ties.

SwingSmart 535 Accessories

Name	Part Number	Description
Signs, Moving Gate Warning, English	MX3193-01	Two UL 325 moving gate warning signs, English, 8.5 x 11 inch aluminum, includes 8 zip ties.
Signs, Moving Gate Warning, English/French	273C	Two UL 325 moving gate warning signs, English/French, 8.5 x 11 inch aluminum, includes 8 zip ties.
Solar Panel, 12V 30W	230SP	12V 30W Solar Panel with mounting bracket and hardware. Two connected in series required for 24V systems.

SwingSmart 535 Parts and Accessories

Just a few of the many accessories available. See operator parts section for more.



35 AH BACKUP BATTERY KIT



MDKP WIRELESS KEYPAD



HY5B 2.0 VEHICLE DETECTOR



ACT KEY FOBs



MX4566 POST MOUNT



BLUEBUS PHOTO EYES
EPMORB/A, EPMAB/A



RADIO RECEIVERS & TRANSMITTERS
MTS-1, MTS-3, OXIMGC/A



BASE EXTENSION



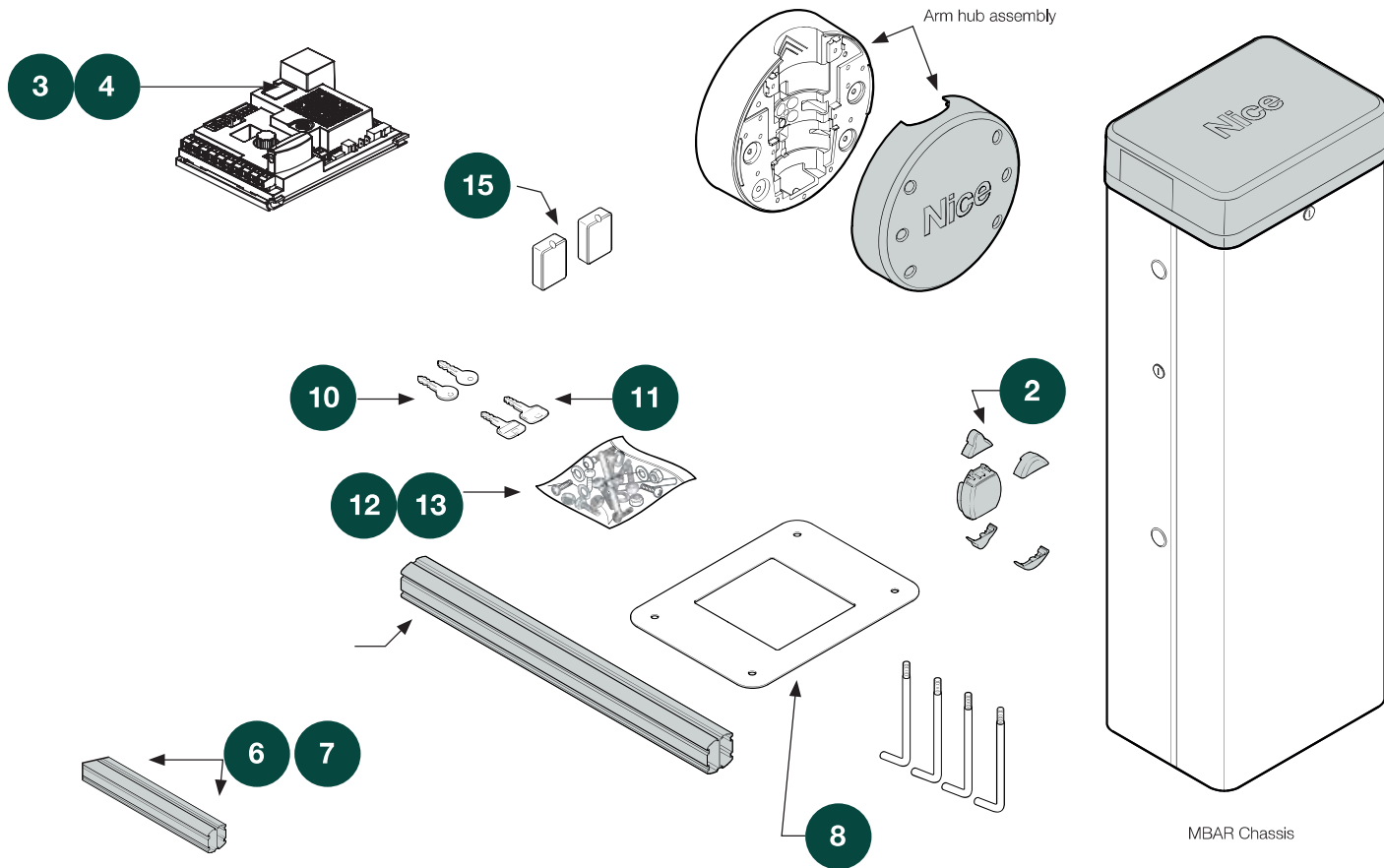
MDT VISOR TRANSMITTERS

Parts Diagrams

MBar/LBar Parts Diagrams	56	Linear GSLG-A Parts Diagrams	66
Chassis, Drive, Electrical and Arms.....	56	HSLG GSLG-A Electrical Parts Diagrams	69
StrongArmPark™ DC Parts Diagrams	57	Single Phase controller Parts List.....	69
Electrical.....	57	Three Phase controller Parts List.....	69
Arm Hardware	58	Linear VS-GSLG Parts Diagrams	70
Chassis, Drive and Electrical.....	59	Linear VS-GSLG Electrical Parts Diagrams	72
SlideSmart™ 535 Parts Diagrams	60	SwingSmart™ DC Parts Diagrams.....	73
Mechanical and Electrical.....	60	Chassis, Mechanical & Electrical.....	73
SlideSmart™ DC Parts Diagrams.....	61	SwingSmart™ 535 Parts Diagrams	74
10F, 15 Chassis, Mechanical & Electrical	61	Chassis, Mechanical and Electrical	74
SlideSmart™ HD Parts Diagrams.....	62		
HD15F, HD25, HD30 Chassis, Mechanical & Electrical	62		
Linear HSLG Parts Diagrams	63		

MBar/LBar Parts Diagrams

Chassis, Drive, Electrical and Arms



This drawing is a representation and should be used for parts reference only.

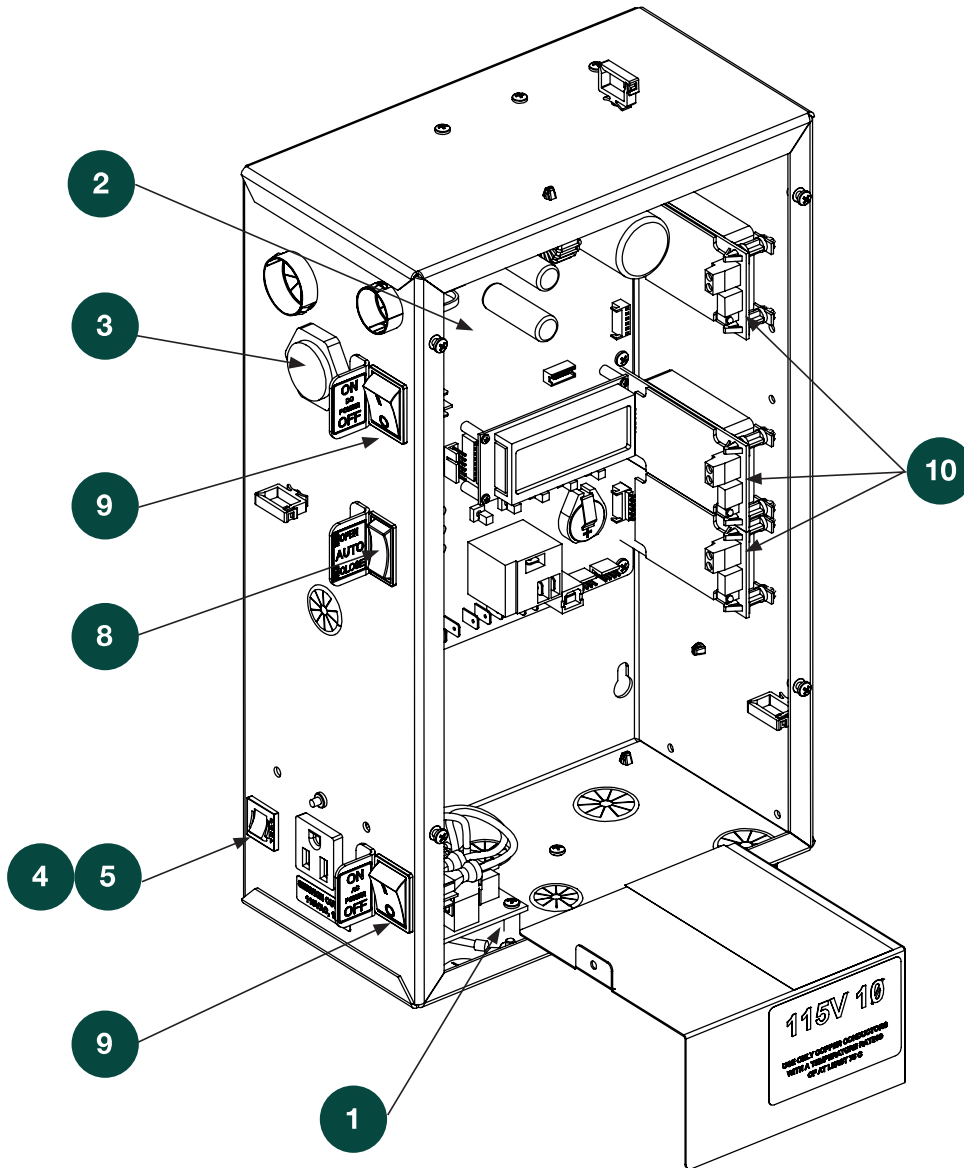
MBar Chassis

Item No.	Part Name	Part Number	M-Bar / L-Bar Models
1	Anti-Compression Block Kit (not shown)	20000155	M3BAR, M5BAR, M7BAR
2	Arm Cap	XBA21	all
3	Board, Control, XBA3/U, No Receiver	XBA3/U	all models built before January 1, 2019
4	Control Board, BCU1, New	BCU1	all models built after January 1, 2019
5	Expansion Joint (not shown)	XBA9	M7BAR, L9BAR
6	Extrusion, Reinforcement, LBAR	PD1614A0000	L9BAR
7	Extrusion, Reinforcement, MBar	PD1614B0000	M3BAR, M5BAR, M7BAR

Item No.	Part Name	Part Number	M-Bar / L-Bar Models
8	Foundation Plate Kit, L9BAR	XBA17	L9BAR
9	Foundation Plate Kit, MBar	XBA16	M3BAR, M5BAR, M7BAR
10	Keys, Cabinet	CM-N1.1630	all
11	Keys, Top Lid	CM-N2.1630	all
12	Limit Assembly, LBAR	SPAMG165A00	L9BAR
13	Limit Assembly, MBar	SPAMG165A00B	M3BAR, M5BAR, M7BAR
14	Limit Assembly	20000110	M3BAR, M5BAR, M7BAR
15	Photo eyes, Through beam, Medium Non-Adjustable with BlueBUS	EPMB/A	all

StrongArmPark™ DC Parts Diagrams

Electrical

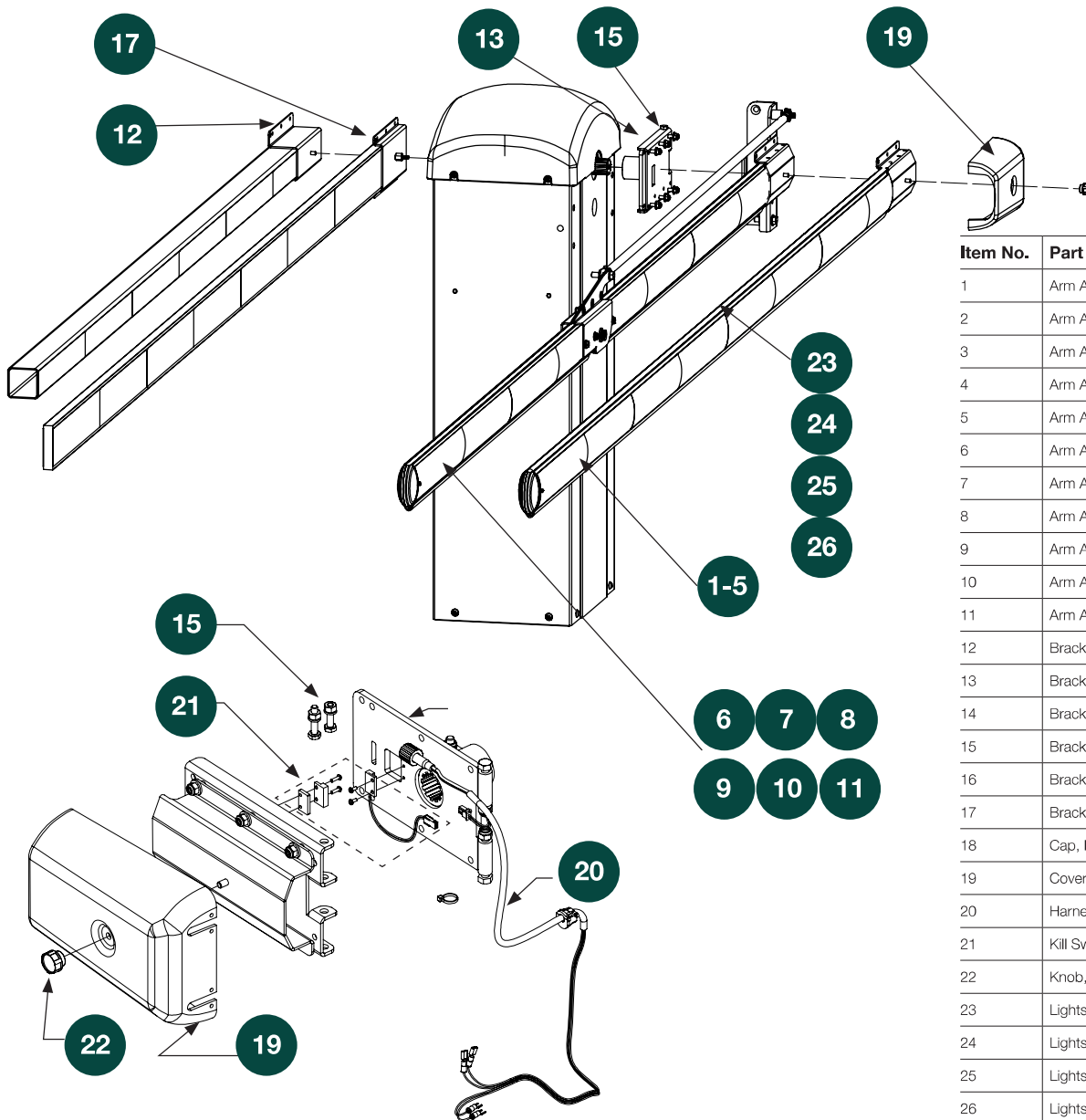


This drawing is a representation and should be used for reference only.

Item No.	Part Name	Part Number	StrongArmPark DC Models
1	Board, Power Supply, 115/230VAC	MX001766	AC only
2	Board, Smart DC Controller	MX3037-0	all
3	Buzzer, Piezo	MX001036	all
4	Circuit Breaker, 15A	MX001760	Solar only
5	Circuit Breaker, 5A	MX3796	AC only
6	Detector, Vehicle, Hy5B™	MX4621	all
7	Reset Switch, Internal	MX002124	all
8	Switch, Hold Open/Hold Close	MX3011	all
9	Switch, On/Off	MX001761	all
10	Vehicle Detector, HY-5B	MX4621	all

StrongArmPark™ DC Parts Diagrams

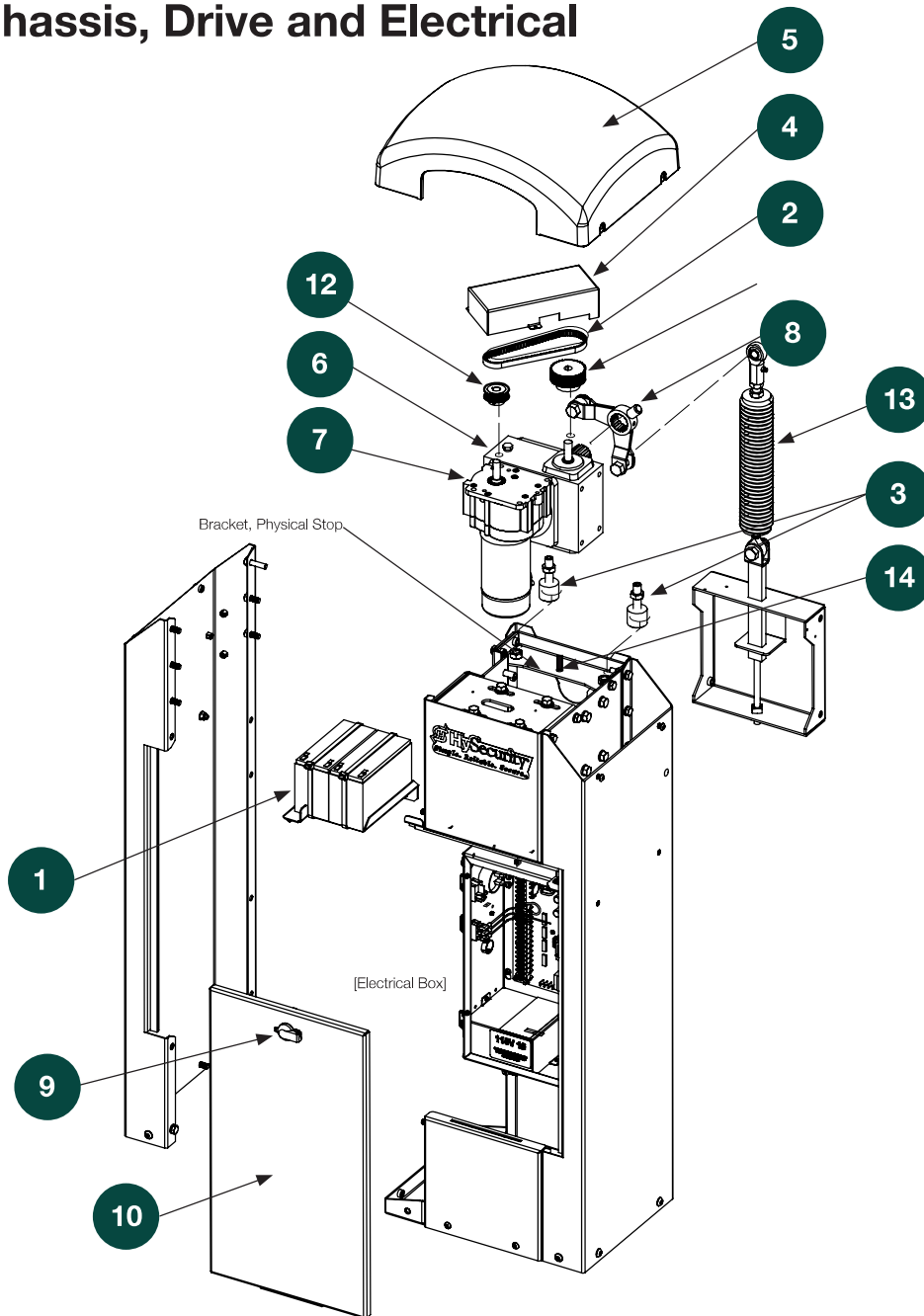
Arm Hardware



Item No.	Part Name	Part Number	StrongArmPark DC Models
1	Arm Assembly, Aluminum, Oval, 8 ft	MX4182-08	DC 10
2	Arm Assembly, Aluminum, Oval, 9 ft	MX4182-09	DC 10
3	Arm Assembly, Aluminum, Oval, 10 ft	MX4182-10	DC 10
4	Arm Assembly, Aluminum, Oval, 12 ft	MX4182-12	DC 14
5	Arm Assembly, Aluminum, Oval, 14 ft	MX4182-14	DC 14
6	Arm Assembly, Articulating, 7 ft Vehicle Clearance	MX3114-06	DC 10
7	Arm Assembly, Articulating, 8 ft Vehicle Clearance	MX3114-01	DC 10
8	Arm Assembly, Articulating, 9 ft Vehicle Clearance	MX3114-02	DC 10
9	Arm Assembly, Articulating, Lighted, 7 ft Vehicle Clearance	MX4010-06	DC 10
10	Arm Assembly, Articulating, Lighted, 8 ft Vehicle Clearance	MX4010-01	DC 10
11	Arm Assembly, Articulating, Lighted, 9 ft Vehicle Clearance	MX4010-02	DC 10
12	Bracket, 2.5 inch Square PVC	MX002842	DC 10
13	Bracket, Breakaway Arm Assembly	MX3680	all
14	Bracket, Breakaway Arm w/Kill Switch Kit	MX4050	all
15	Bracket, Breakaway Arm, Hardware Kit	MX3104	all
16	Bracket, Cover, Breakaway Arm	MX002367	all
17	Bracket, Wood	MX002652	DC 10
18	Cap, End, Oval Arm	MX3555	all
19	Cover, Breakaway Bracket, HyProtect™	MX3126	all
20	Harness, LED Light/Kill Switch	MX4122	all
21	Kill Switch Kit	MX4402	all
22	Knob, Cover, Breakaway Arm Bracket w/Kill Switch	MX002653	all
23	Lights, Flexible, 8 ft	MX4124-08	DC 10
24	Lights, Flexible, 10 ft	MX4124-10	DC 10
25	Lights, Flexible, 12 ft	MX4124-12	DC 14
26	Lights, Flexible, 14 ft	MX4124-14	DC 14

StrongArmPark™ DC Parts Diagrams

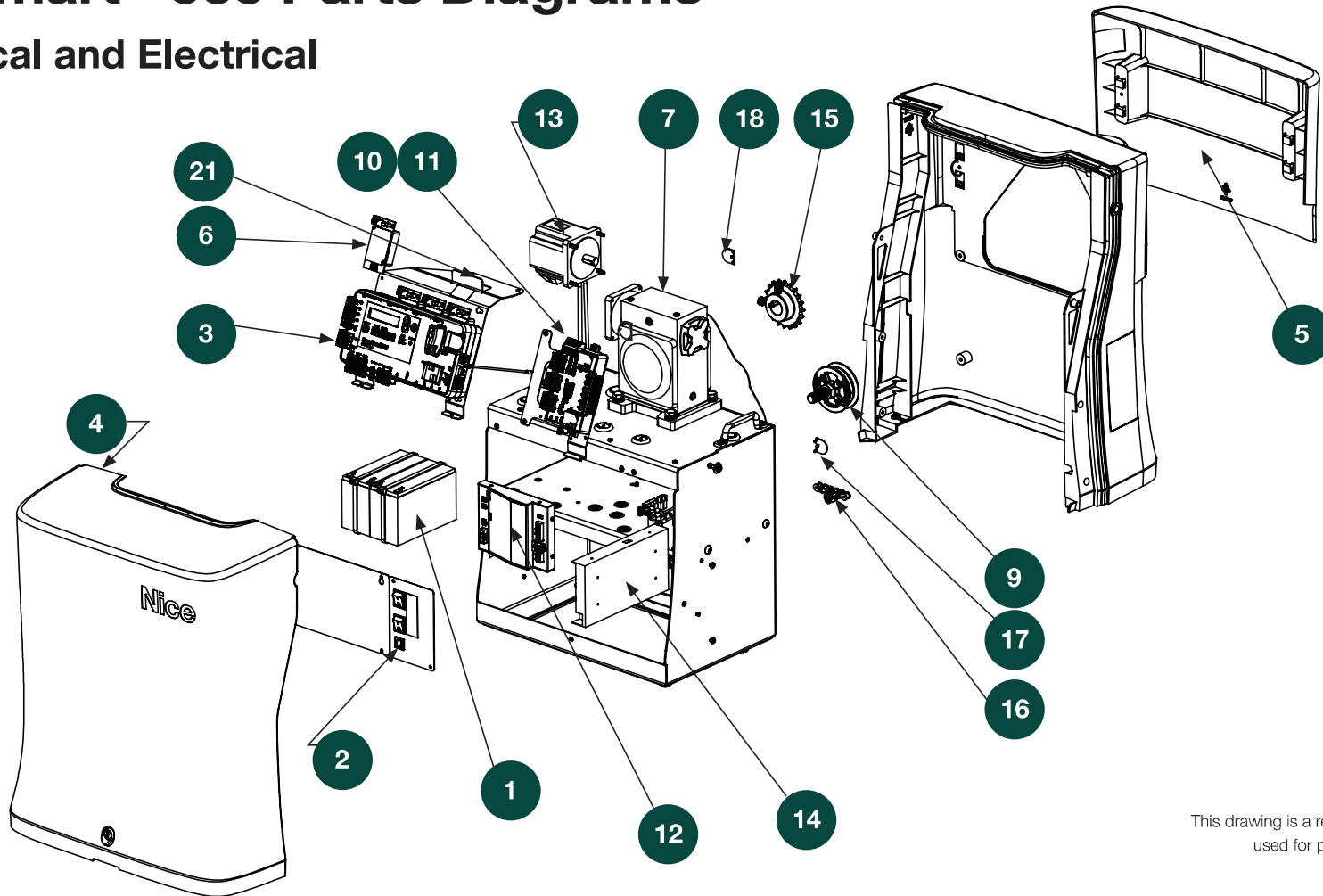
Chassis, Drive and Electrical



Item No.	Part Name	Part Number	StrongArmPark DC Models
1	Battery Kit, 8Ah, Replacement	MX002008	all
2	Belt, Drive	MX3544	all
3	Bumper Replacement Kit, Physical Stop	MX3103	all
4	Cover, Timing Belt	MX3048	all
5	Cover, Top	MX3125	all
6	Gearbox, with Oil	MX3270	all
7	Gearmotor, 24VDC, w/Hall Sensor	MX3585	all
8	Lever, Physical Stop, Assembly	MX3299	all
9	Lock, Latch w/Key	MX4104	all
10	Panel, Front Access	MX3292	all
11	Pulley, Gearbox, 36T, 15mm	MX001404	all
12	Pulley, Motor, 24T, 15 mm	MX3543	all
13	Spring Assist Assembly, StrongArmPark DC 14	MX002390	DC14
14	Target, Sensor, Arm	MX3219	all

SlideSmart™ 535 Parts Diagrams

Mechanical and Electrical



This drawing is a representation and should be used for parts reference only.

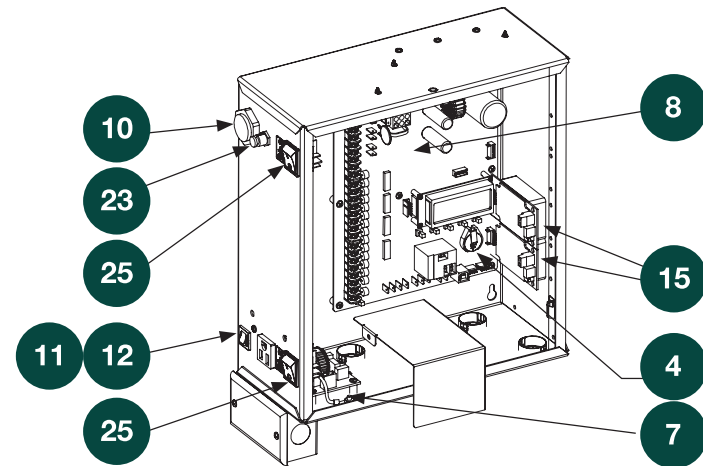
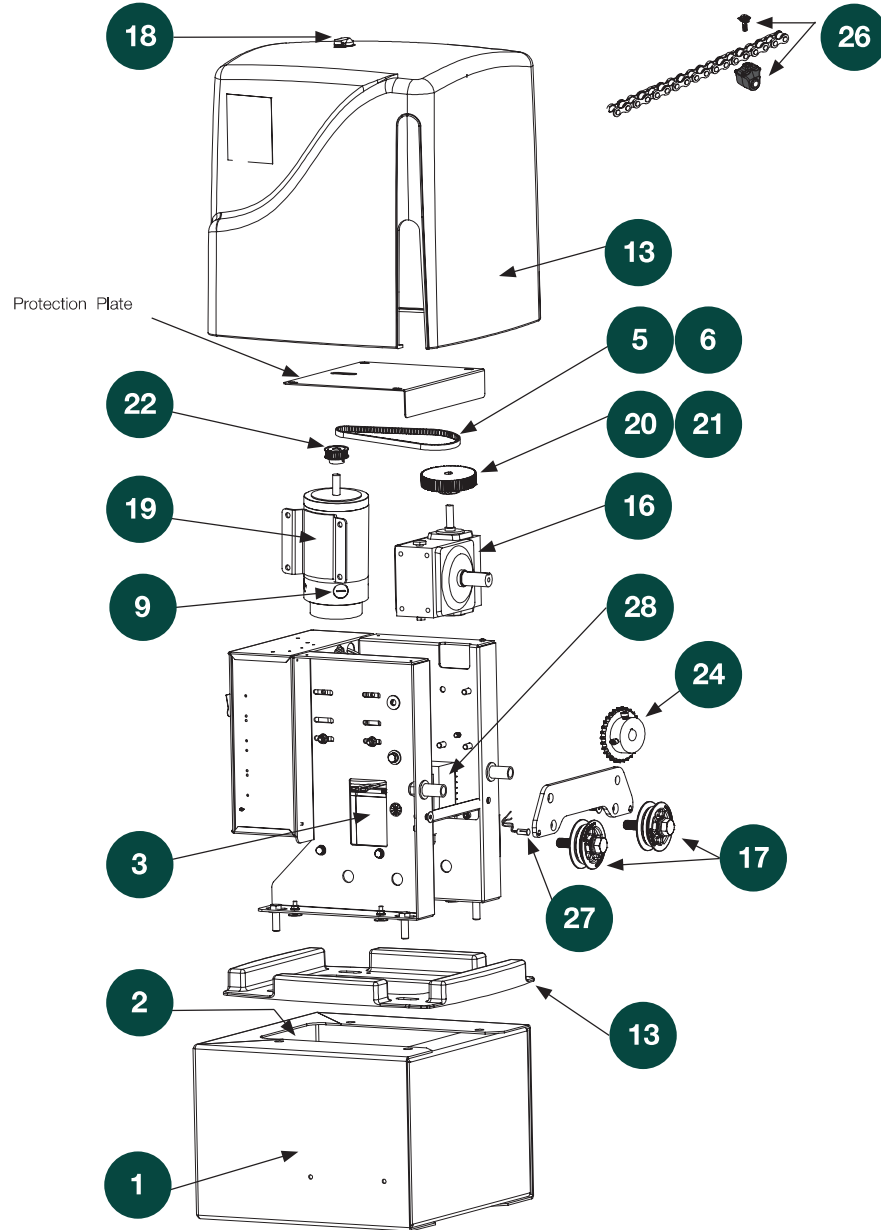
Item No.	Part Name	Part Number
1	Battery Kit, 8Ah, Replacement	MX002008
2	Circuit Breaker, 8A	MX4613
3	Controller, SmartTouch 725	MX5626
4	Cover, Front Assembly	MX4465
5	Cover, Rear Assembly, SlideSmart 535	MX4470
6	Detector, Vehicle, Hy5B™ 2.0	MX4621
7	Gearbox, SlideSmart 535	MX4625
8	Harness, HSP1 COM	MX4330-01

Item No.	Part Name	Part Number
9	Idler Assembly, 535	MX4280
10	Module, I/O Expansion	MX4347
11	Module, I/O Expansion Kit	MX4410
12	Module, Motor Drive	MX5900-01
13	Motor, Brushless	MX4617
14	Power Supply, 36V	MX4409
15	Sprocket, #40 Chain, 20T	MX5898 20T
16	Target Magnet Assembly, SlideSmart 535	MX4430

Item No.	Part Name	Part Number
17	Target, Sensor, Long	MX4329-02
18	Target, Sensor, Short	MX4329-01
20	Alarm, Piezo Buzzer	MX001036
21	Bracket, Control Board Mount	MX4228

SlideSmart™ DC Parts Diagrams

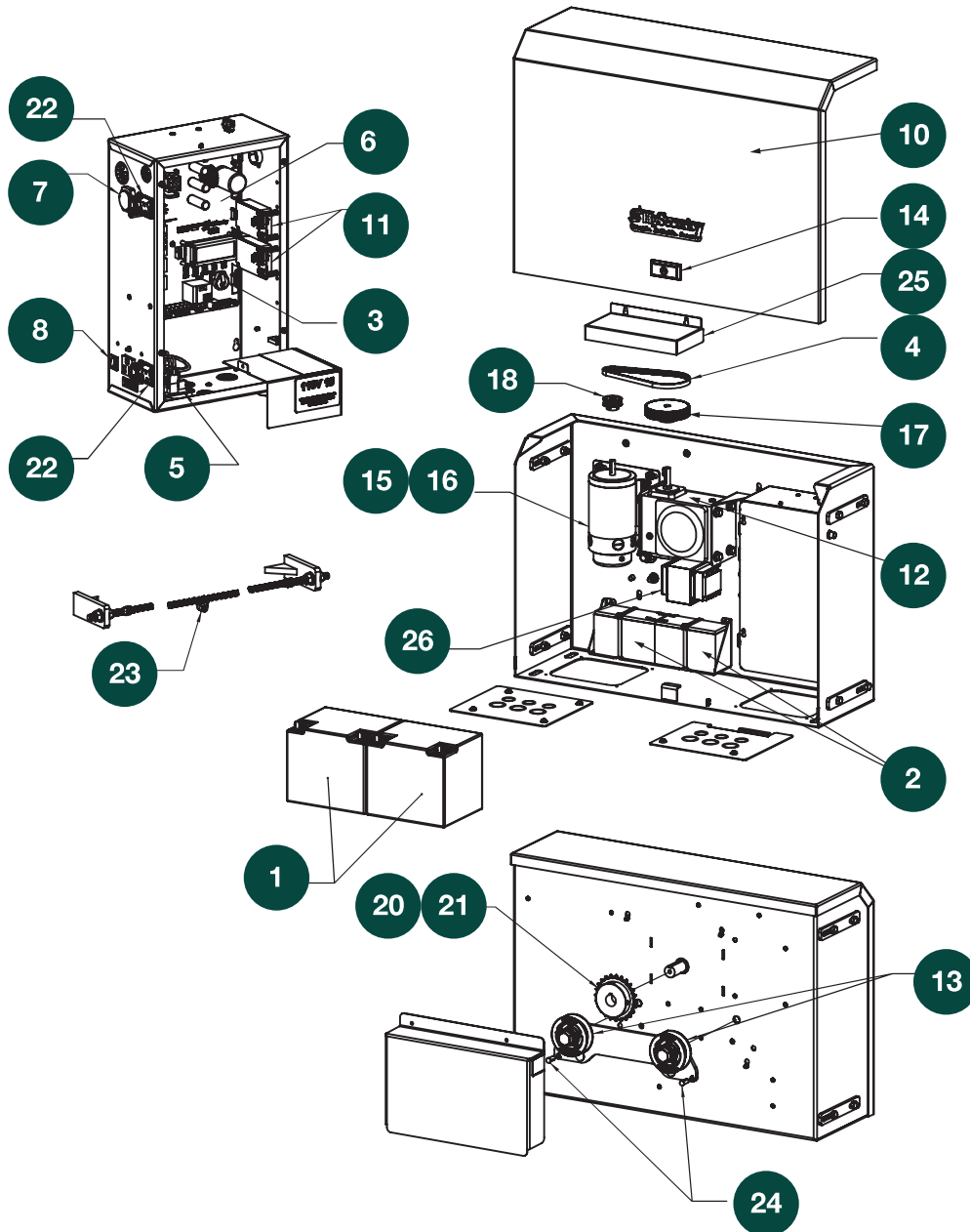
10F, 15 Chassis, Mechanical & Electrical



Item No.	Part Name	Part Number	SlideSmart DC Models
1	Base Extension, SlideSmart DC 10F, 15	MX002094	SlideSmart DC 10F, 15
2	Battery Kit, 50Ah, Replacement	MX002013	all
3	Battery Kit, 8Ah, Replacement	MX002008	all
4	Battery, 3V, Lithium	MX000346	all
5	Belt, Drive, SlideSmart DC 10F	MX002107	SlideSmart DC 10F
6	Belt, Drive, SlideSmart DC 15, HD25/30	MX002106	SlideSmart DC 15
7	Board, Power Supply, 115/230VAC	MX001766	AC only
8	Board, Smart DC Controller	MX3037-0	all
9	Brush Kit, 24VDC Motor, Smart DC	MX001920	all
10	Buzzer, Piezo	MX001036	all
11	Circuit Breaker, 15A	MX001760	Solar only
12	Circuit Breaker, 5A	MX3796	AC only
13	Cover, 2-Piece	MX002115	all
14	Cover, Top Plate	MX002075	all
15	Detector, Vehicle, Hy5B™	MX4621	all
16	Gearbox, SlideSmart DC	MX002210	all
17	Idler Wheel, #40 Roller Chain Guide	MX002181	all
18	Lock, Latch, w/Key	MX002873	all
19	Motor, Electric, 24VDC	MX001995	all
20	Pulley, Gearbox, 36T, 15mm	MX001404	all SlideSmart DC 10F models
21	Pulley, Gearbox, 60T, 15mm	MX002076	all SlideSmart DC 15 models
22	Pulley, Motor, 24T, 9 mm	MX001403	all
23	Reset Switch, Internal	MX002124	all
24	Sprocket, #40 Roller Chain, 30T	MX002211	all
25	Switch, On/Off	MX001761	all
26	Target, Magnet, Assembly	MX002087	all
27	Target, Sensor	MX002085	all
28	Transformer, 115/208/230VAC	MX002798	AC only

SlideSmart™ HD Parts Diagrams

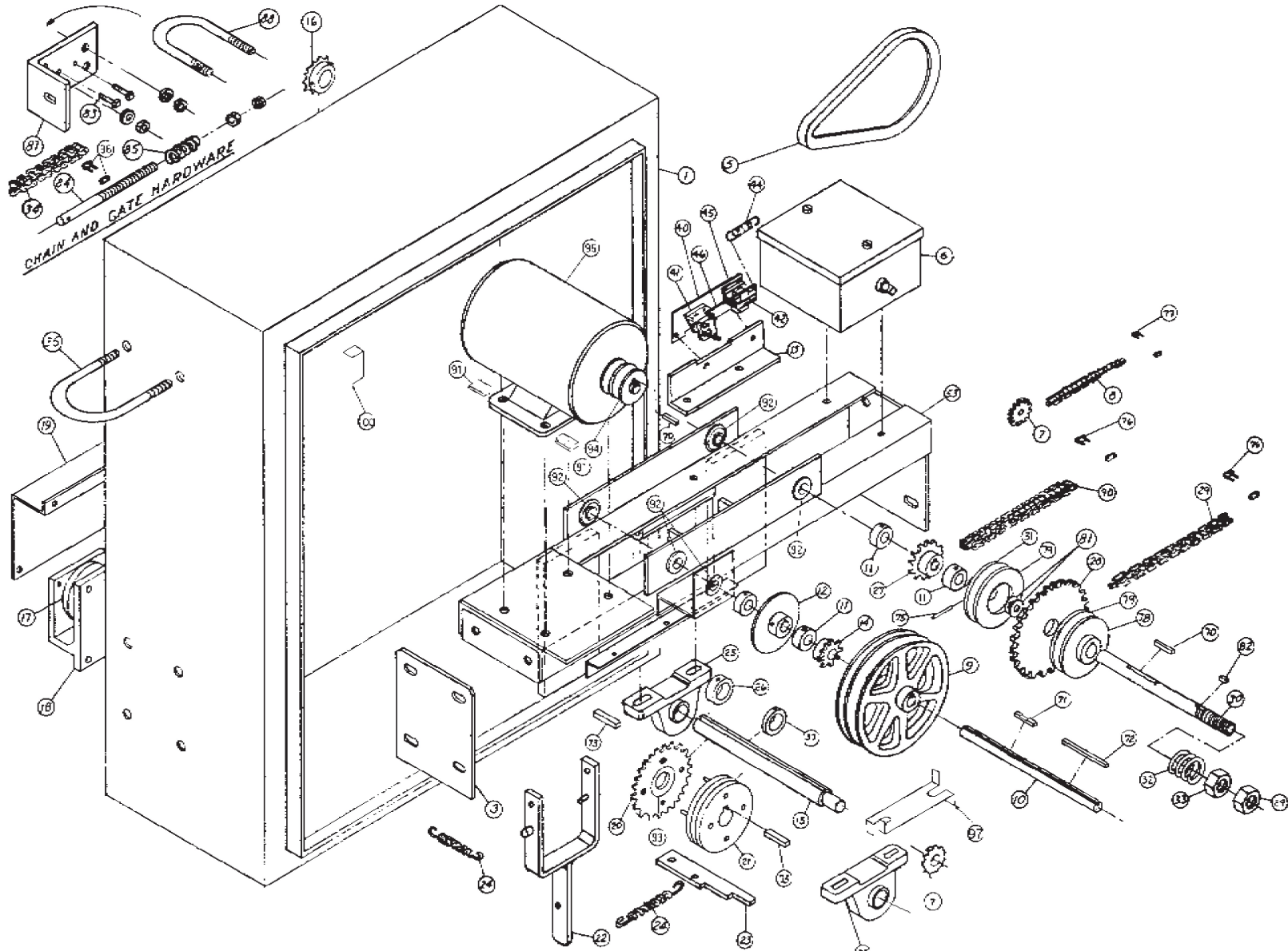
HD15F, HD25, HD30 Chassis, Mechanical & Electrical



Item No.	Part Name	Part Number	SlideSmart HD Models
1	Battery Kit, 50Ah, Replacement	MX002013	all
2	Battery Kit, 8Ah, Replacement	MX002008	all
3	Battery, 3V, Lithium	MX000346	all
4	Belt, Drive, SlideSmart DC 15, HD25/30	MX002106	HD25, HD30
5	Board, Power Supply, 115/230VAC	MX001766	all
6	Board, Smart DC Controller	MX3037-0	all
7	Buzzer, Piezo	MX001036	all
8	Circuit Breaker, 5A	MX3796	all
9	Conversion Kit, HD30 to HD15F	MX4850	HD30
10	Cover Kit, SlideSmart HD	MX4306	all
11	Detector, Vehicle, Hy5B™	MX4621	all
12	Gearbox, SlideSmart DC	MX002210	all
13	Idler Wheel, #40 Roller Chain Guide	MX4847	all
14	Lock and keys, T-Lock	MX000296	all
15	Motor with sensor, 24VDC, 750W	MX002573	HD15F, HD30
16	Motor, Electric, 24VDC	MX001995	HD25
17	Pulley, Gearbox, 60T, 15mm	MX002076	HD25, HD30
18	Pulley, Motor, 24T, 9 mm	MX001403	HD25, HD30
19	Reset Switch, Internal	MX002124	all
20	Sprocket, #40 Roller Chain, 24T	MX4369	HD25, HD30
21	Sprocket, #40 Roller Chain, 30T	MX002211	HD15F, HD25, HD30
22	Switch, On/Off	MX001761	all
23	Target, Magnet, Assembly	MX002087	all
24	Target, Sensor	MX002085	all
25	Timing Belt Shroud, SlideSmart HD	MX4311	all
26	Transformer, 115/208/230VAC	MX002798	all

Linear HSLG Parts Diagrams

Model Linear HSLG Mechanical Exploded View



T.F. 2120-166

Linear HSLG Parts Diagrams

Model Linear HSLG Mechanical Exploded View



Linear HSLG Mechanical Parts List

Ref #	Description	Part Number
	Intermediate Shaft Assembly	620-101510
10	Pulley Shaft	2100-765
14	Sprocket, 41-B-9, 5/8" bore with screw and key	2200-213-UPS
9	Double Pulley, 7" with screw and key	2200-309-UPS
92	Flange Bearing, 5/8", with carriage bolt and nuts	620-101492-UPS
72	Key, 3/16" x 1-1/2"	2200-333
71	Key, 3/16" x 1-1/4"	2100-1750
12	Brake Disc with Pin and Keys	2100-669-UPS

Linear HSLG Clutch Shaft Assembly

Ref #	Description	Part Number
	Clutch Shaft Assembly	620-101511
30	Clutch Shaft	2100-1008
28	Sprocket, 41-A-36, 1" bore	2200-294
31	Clutch Hub with pin and keys	2100-669-UPS
79	Clutch Facing (qty 1)	2100-564
32	Clutch Spring	2200-306
33	Hex Nut, 5/8"-18	2400-061
89	Jam Nut, 5/8"-18	2400-062
81	Thrust Washer, 1" x 1/8"	2400-187
	Roll Pin, 3/16" x 1-3/8"	2400-088
27	Sprocket, 41-B-12, 5/8" bore with set screw and key	2200-292-UPS
92	Flange Bearing, 5/8", with carriage bolt and nuts	620-101492-UPS
70	Key, 3/16" x 1-1/4"	2400-238
82	Key, 3/16" x 1/4"	2400-273

Linear HSLG Output Shaft Assembly

Ref #	Description	Part Number
	Output Shaft Assembly	2110-236
15	Output Shaft, 1" with rings and key	2100-917-UPS
20	Sprocket, 41-A-24 with Bearing	2220-022
93	Bearing only for 41-A-24 Sprocket	2200-119
21	Shifter Block with Pins	2110-131-UPS
25	Pillow Block Bearing, 1"	2200-274
37	Set Collar, 1" x 3/8" LTB with set screws	2200-014-UPS
26	Set Collar, 1" x 5/8" LTB	2200-091-UPS
73	Key, 1/4" x 1-1/2"	2400-201
16	Sprocket, 40-B-22, 1" bore	2200-968-UPS

Linear HSLG Parts List

Ref #	Description	Part Number
6	Rotary Limit Box Assembly	620-101029
	Limit Switch	2500-2347
	Limit Shaft	2100-057-UPS
	Limit Nut	2200-030
	Detent Plate	2100-261
	Limit Box Enclosure	2110-162
	Plastic Limit Box Cover only	2300-945
	Flange Bearing, 1/2" ID	2200-029
	E-Ring, 1/2"	2200-193
	Spring Washer, 1/2"	2400-203

For Drives up to 30 feet wide:

7	Limit Box Sprocket, 48-B-10, 1/2" bore	2200-008-UPS
8	#48 Chain, per foot, 27 Links required	2200-200-UPS

Linear HSLG Parts List

Ref #	Description	Part Number
-------	-------------	-------------

For Drives from 31 to 45 feet wide:

7	Limit Box Sprocket, 48-B-15, 1/2" bore	2200-041-UPS
8	#48 Chain, per foot, 29 Links required	2200-200-UPS

For Drives over 45 feet wide:

7	Limit Box Sprocket, 48-B-20, 1/2" bore	2200-276-UPS
8	#48 Chain, per foot, 30 Links required	2200-200-UPS
34	#40 Chain, per foot	2200-202

Motors

95	1/2 HP, 115 VAC, 1 Phase	2500-2307
	1/2 HP, 208/230 VAC, 1 Phase	2500-2308
	3/4 HP, 115 VAC, 1 Phase	2500-2309
	3/4 HP, 208/230 VAC, 1 Phase	2500-2310
	1 HP, 115 VAC, 1 Phase	2500-2311
	1 HP, 208/230 VAC, 1 Phase	2500-2312
	1/2 HP, 208/230/460V, 3 Phase	2500-2313
	3/4 HP, 208/230/460V, 3 Phase	2500-2314
	1 HP, 208/230/460V, 3 Phase	2500-2315

Capacitors

	Capacitor for 2500-2307 Motor	2500-2336
	Capacitor for 2500-2308 Motor	2500-2217
	Capacitor #2 for 2500-2309 Motor	2500-1930
	Capacitor for 2500-2310 Motor	2500-1931
	Capacitor for 2500-2311 Motor	2500-2338
	Capacitor for 2500-2312 Motor	2500-1932

Linear HSLG Parts Diagrams

Model Linear HSLG Mechanical Exploded View



Linear HSLG Parts List

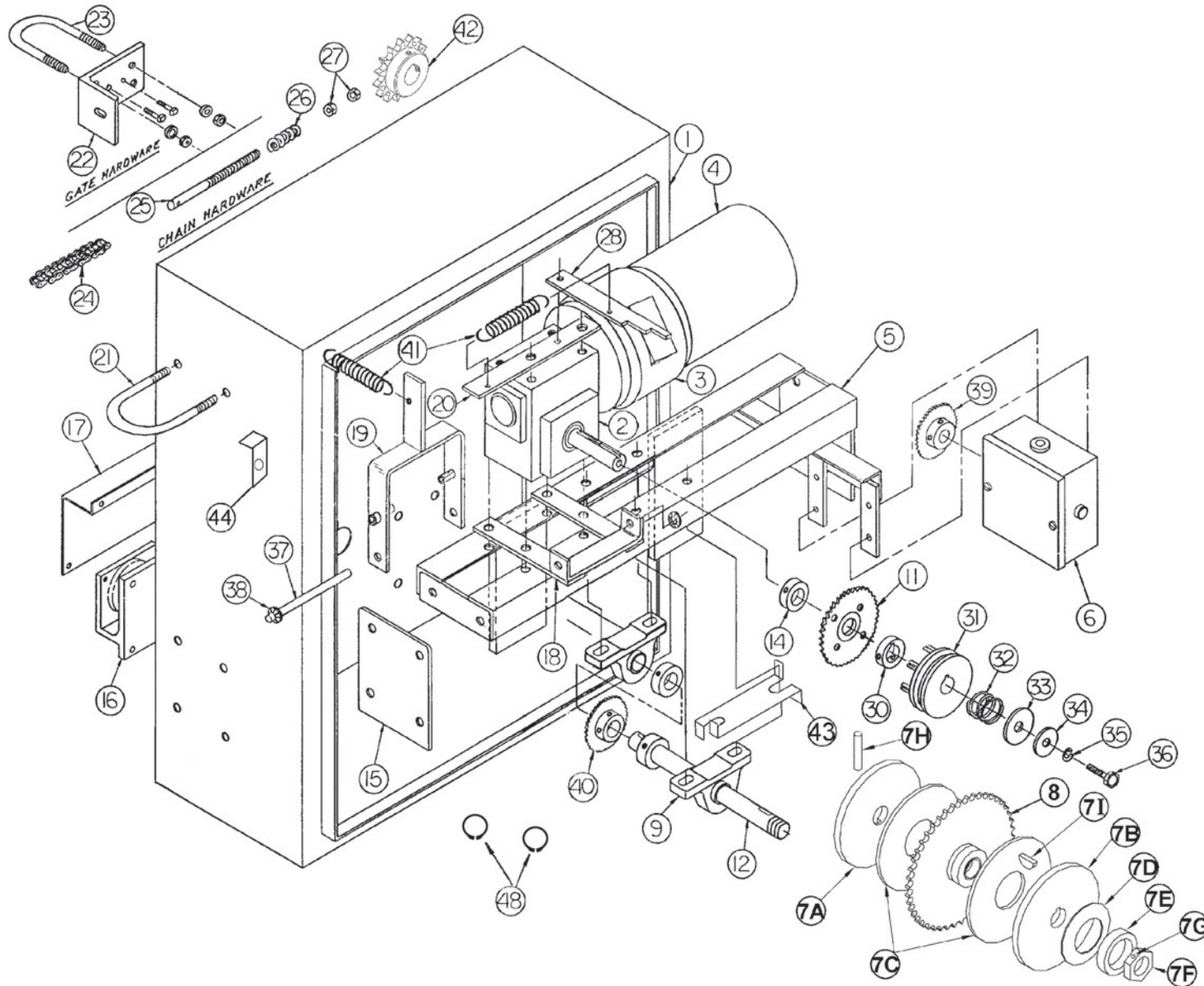
Ref #	Description	Part Number
40	115V Brake Assembly	2510-398
	230V Brake Assembly	2510-399
	460V Brake Assembly	2510-400
41	Brake and Puck Assembly	2200-983
42	115V Brake Solenoid	2500-178
	230V Brake Solenoid	2500-177
	460V Brake Solenoid	2500-1351
44	Brake Spring (short)	2200-939
46	Brake Rod	2100-548
45	Brake Plate	2100-541
13	Bracket for Brake	620-101476
1	Enclosure Assembly Complete with Door	2120-359-BT
	Door Assembly only	2120-360-BT
	Stop/Reset Button Cover	2300-716
	Lock Assembly with Keys with screws	2110-643-UPS
	Replacement Key	2200-540
53	Rail Assembly	2110-234
3	Spacer Plate	2100-573
94	Double Pulley, 2"	2200-207
29	Chain, #41, 30 Links	2400-149
22	Shifter Lever	2120-132
23	Locking Disconnect Lever	2100-910
24	Disconnect Spring	2200-291
19	Rain Cover	2100-657-BT
TBD	Bearing, Top Hat, with bracket	2100-2177

Linear HSLG Parts List

Ref #	Description	Part Number
75	Roll Pin	2400-088
87	Gate Bracket	2100-2007
88	U-Bolt, 3"	2400-170-UPS
84	Chain Tension Bolt, 1/2" with Nuts and Washers	2100-258-UPS
85	Clutch/Chain Tension Spring	2200-306
86	Hex Nut, 1/2"-13 (4)	2400-090
	Flat Washer, 1/2"	2400-045
5	V-Belt, 28" Cogged	2200-938
	Bearing Spacer	2100-553
90	#41 Chain, (23 links required)	2200-048
76	#41 Master Link	2200-027
	Side Plate, 3/16"	2100-059-BT
96	#40 Master Link	2200-006
8	#48 Chain, per foot (27 links required)	2200-654
77	#48 Master Link	2200-010
91	5/16-18 U-Nut (4)	2400-422
100	Stop/Reset Button and Bracket Assembly	2510-248
	Stop/Reset Button Mounting Bracket	2100-1760
	Stop/Reset Button	2500-1495
36	U-Bolt, 4 5/8"	2400-038-UPS
18	Idler Assembly	2110-700
	Idler Frame	2100-1739
	Idler Pin	2100-1731
	Idler Wheel	2300-697
97	Pillow Block Retainer Plate	2100-1737

Linear GSLG-A Parts Diagrams

Model Linear GSLG-A Mechanical Exploded View



Linear GSLG-A Parts Diagrams

Model Linear GSLG-A Mechanical Exploded View



Linear GSLG-A Mechanical Parts List

Ref #	Description	Part Number
1	Complete Enclosure with Door Assembly	2120-359-BT
	Enclosure without Door	2120-144-BT
	Complete Door and Lock Assembly	2120-360-BT
	Stop/Reset Button Cover	2300-716
	C-Face Brake, 115V	2500-2192
	C-Face Brake, 208/230/460V	2500-2397
5	Rail Assembly	2110-265
15	Spacer Plate	2100-573
	Back Brace	2100-661
12	Drive Shaft, 1"	2100-1738
48	Retaining Ring	2400-501
9	Bearing, 1"	2200-247
43	Pillow Block Retaining Plate	2100-1737
40	Sprocket, 48 B 15, 1" bore	2200-042
	Shaft Collar, 1"	2200-015
7	Torque Limiter Assembly, 5-1/2"	2120-388
7A	Plate with Solid Pin Groove	2100-1650
7B	Keyed Plate	2100-1661
7C	Friction Disc (pair)	2300-390
7D	Belleville Washer	2200-817
7E	Belleville Washer Retaining Disc	2100-1621
7F	Adjustment Nut	2100-1622
7G	Brass Tipped Set Screw	2400-407
7H	Dowel Pin	2400-416
7I	Woodruff Key	2100-529

Linear GSLG-A Mechanical Parts List

Ref #	Description	Part Number
8	Sprocket, 40-A-48, with Bearing	2210-004
42	Drive Sprocket, 50-B-20, 1" Bore	2200-886
	Gear Reducer/Disconnect Assembly	2110-788
2	Gear Reducer, 15:1	2200-920
19	Shifter Lever Assembly	2120-132
18	Shifter Lever Fulcrum Assembly	2110-362
37	Shifter Lever Rod	2100-551
38	Pal Nut	2400-169
20	Locking Lever Plate	2100-1133
28	Locking Lever	2100-910
41	Shifter and Locking Lever Spring	2200-291
14	Shaft Collar, 1"	2200-014
11	Sprocket, 40 A 24, with Bearing	2110-364
30	Disconnect Collar, 1" (keyed)	2200-549
31	2110-131	Shifter Block
	2400-133	Key, 1/4" x 1/4" x 2-1/4"
32	Disconnect Spring	2200-115
44	Stop/Reset Button & Bracket Assembly	2510-248
	Stop/Reset Button & Mounting Bracket	2100-1760
	Stop/Reset Button	2500-1495
33	Fender Washer, 3/8"	2400-308
34	Flat Washer, 3/8"	2400-017
35	Lock Washer, 3/8"	2400-016

Linear GSLG-A Mechanical Parts List

Ref #	Description	Part Number
36	HHCS, 3/8"-16 x 1"	2400-014
16	Idle Assembly	2110-700
	UHMW Idle Wheel	2300-697
	Idle Shaft	2100-1731
6	Rotary Limit Box Assembly	2520-173L
	Limit Switch	2500-764
	Detent Plate	2100-057
	Limit Box Enclosure with Cover	2200-030
	Limit Box Cover only	2100-756
	Flange Bearing, 1/2" ID	2200-029
	E-Ring, 1/2"	2200-193
	Spring Washer, 1/2"	2400-203

Linear GSLG-A Parts Diagrams

Model Linear GSLG-A Mechanical Exploded View



Linear GSLG-A Mechanical Parts List

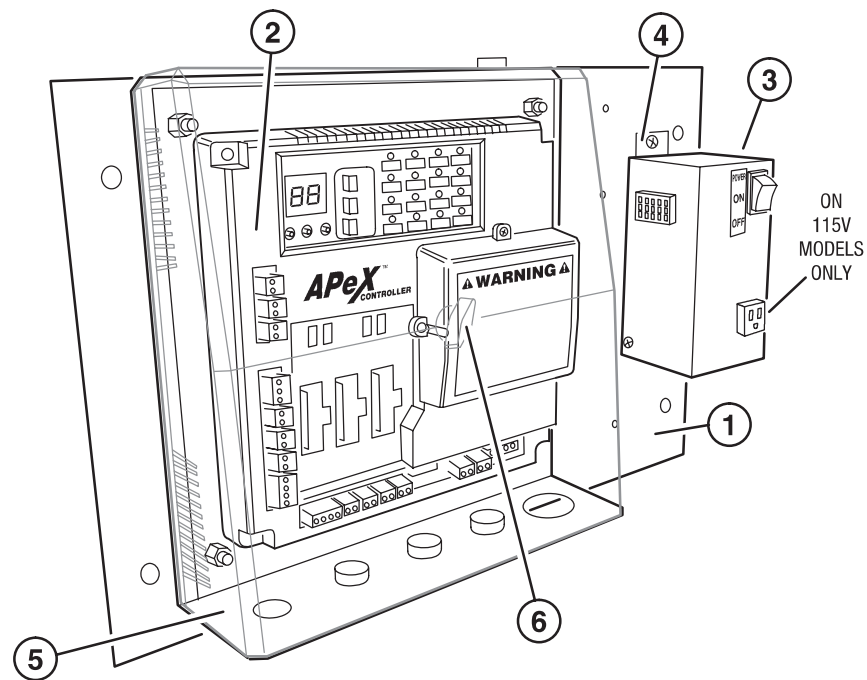
Ref #	Description	Part Number
	Limit Drive Sprocket, 48-B-15, 1" bore	2200-042
	For drives up to 34 feet wide	
	Limit Box Sprocket, 48-B-10, 1/2" bore	2200-008
	#48 Chain, 25 Links	2200-922
	For drives from 35 to 49 feet wide	
	Limit Box Sprocket, 48-B-15, 1/2" bore	2200-041
39	#48 Chain, per foot, 27 Links	2200-200
	For drives 50 to 65 feet wide	
	Limit Box Sprocket, 48-B-20, 1/2" bore	2200-276
	#48 Chain, per foot, 29 Links required	2200-654
	For drives over 65 feet wide	
	Limit Box Sprocket, 48-B-30, 1/2" bore	2200-432
	#48 Chain, per foot, 32 links required	2200-654
	#48 Master Link	2200-010
	#40 Chain, 37 Links	2200-605
	#40 Master Link	2200-006
17		
24	#50 Roller Chain, per foot	2200-221
	#50 Master Link	2200-111
25	Chain Pin	2100-258
26	Tension Spring	2200-306
22	Gate Bracket	2100-2007

Linear GSLG-A Mechanical Parts List

Ref #	Description	Part Number
27	Hex Nut, 1/2"	2400-090
23	Gate U-Bolt	2400-170
21	Mounting U-Bolt	2400-038
	Alarm, 24VAC	2500-867
C-Face Motors		
	1/2 HP, 115 VAC, 1 Phase	2500-2307
	1/2 HP, 208/230 VAC, VAC, 1 Phase	2500-2308
	3/4 HP, 115 VAC, 1 Phase	2500-2309
	3/4 HP, 208/230 VAC, 1 Phase	2500-2310
4	1 HP, 115 VAC, 1 Phase	2500-2311
	1 HP, 208/230 VAC, 1 Phase	2500-2312
	1/2 HP, 208/230/460V, 3 Phase	2500-2313
	3/4 HP, 208/230/460V, 3 Phase	2500-2314
	1 HP, 208/230/460V, 3 Phase	2500-2315
Capacitors		
	Capacitor for 2500-2307 Motor	2500-2336
	Capacitor for 2500-2308 Motor	2500-2337
	Capacitor #1 for 2500-2309 Motor	2500-1926
	Capacitor #2 for 2500-2309 Motor	2500-1930
	Capacitor for 2500-2310 Motor	2500-1931
	Capacitor for 2500-2311 Motor	2500-1931
	Capacitor for 2500-2312 Motor	2500-1931

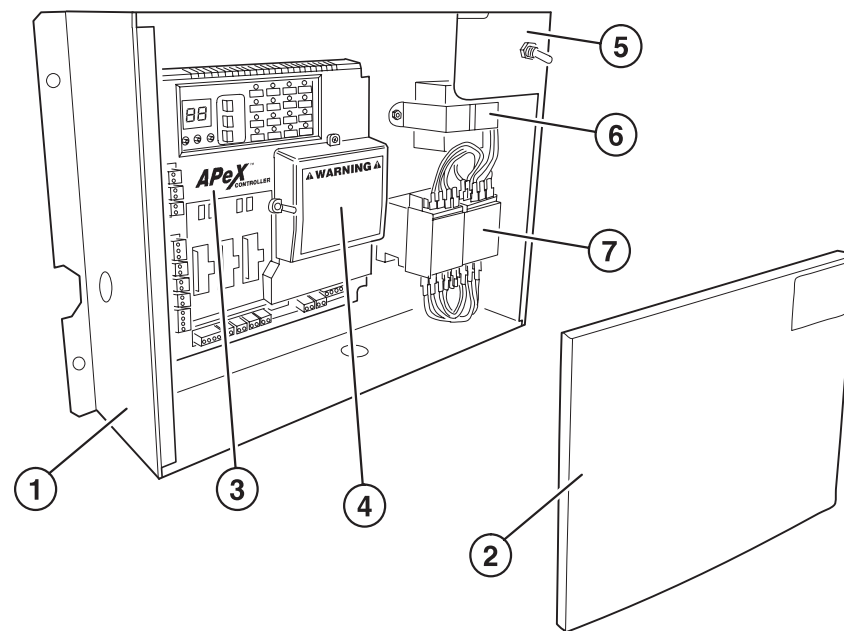
HSLG GSLG-A Electrical Parts Diagrams

Single Phase controller Parts List



Item no.	Part Name	Part Number
1	Mounting Plate	2100-1756
2	Apex Module	620-101293
3	115V Power Box Assembly	2510-422
	208/230V Power Box Assembly	2510-430
4	Power Box Mounting Strap	2100-2143
5	Apex Plastic Cover	2300-1025
6	Cover Knob Kit	2510-423
7	Complete Wiring Harness Assembly (not shown)	MX001658

Three Phase controller Parts List

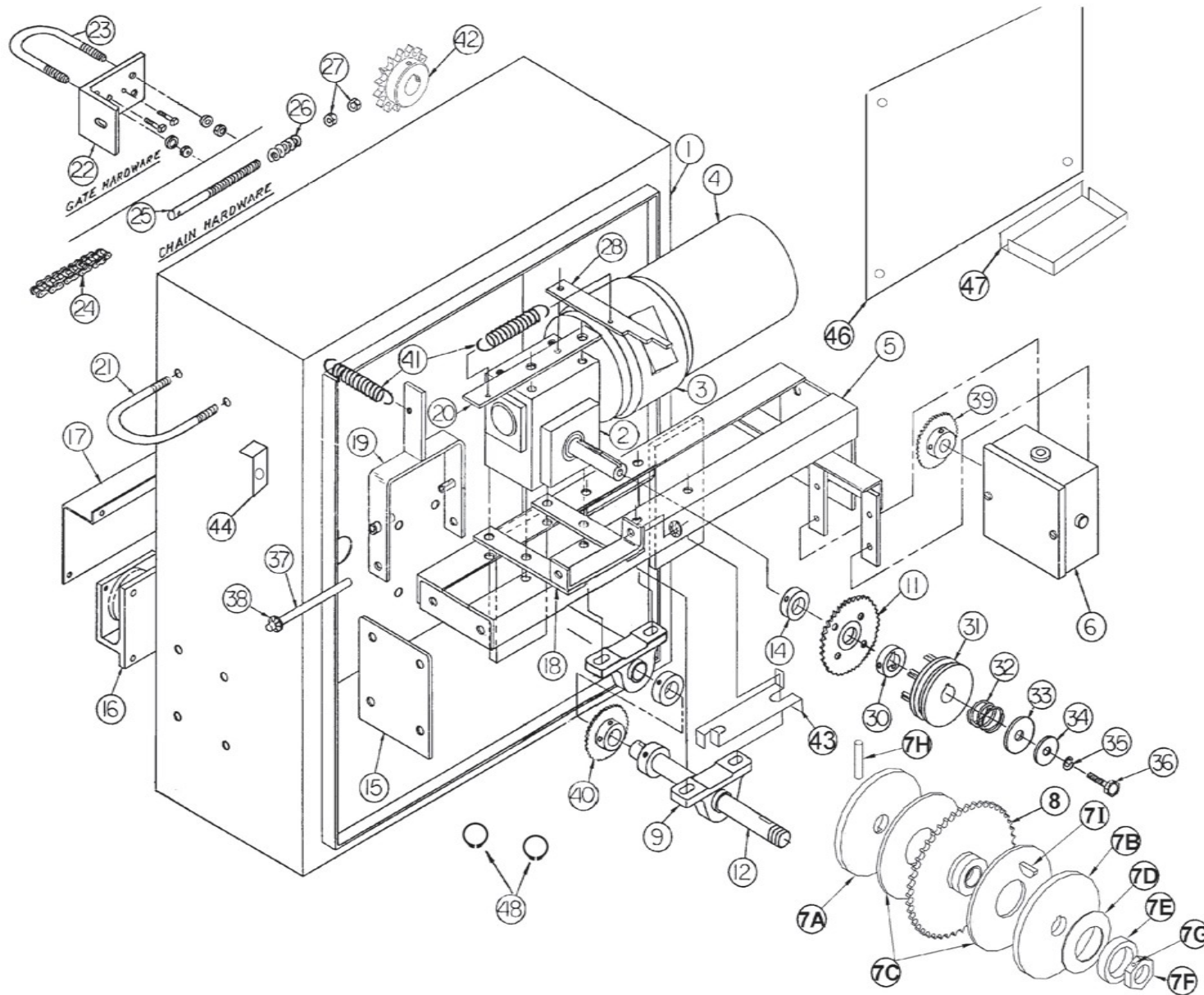


Item no.	Part Name	Part Number
1	Control Box Assembly (Complete) 208/230V	2520-530
	Control Box Assembly (Complete) 460V	2520-531
	Control Box Assembly (Box only)	2110-840
2	Cover	620-101243
3	Apex Module	620-101293
4	Motor Board	2500-1980
5	Power Switch	2500-034
6	Complete Wiring Harness Assembly (not shown)	2500-791
	Transformer 460V	620-101438
7	Contactor	2500-2084

Nice

Linear VS-GSLG Parts Diagrams

Model Linear VS-GSLG Mechanical Exploded View



Linear VS-GSLG Parts Diagrams

Model Linear LG Mechanical Exploded View



MODEL VS-GSLG Mechanical Parts List

Ref #	Description	Part Number
	Complete Enclosure with Door Assembly	2120-359-BT
1	Enclosure without Door	2120-144-BT
	Complete Door and Lock Assembly	2120-360-BT
	C-Face Brake, 115V	2500-2396
	C-Face Brake, 208/230/460V	2500-2397
5	Rail Assembly	2110-265
15	Spacer Plate	2100-573
12	Drive Shaft, 1"	2100-1738
48	Retaining Ring	2400-501
9	Bearing, 1"	2200-274
43	Pillow Block Retaining Plate	2100-1737
40	Sprocket, 48 B 15, 1" bore	2200-042
	Shaft Collar, 1"	2200-015
7	Torque Limiter Assembly, 5-1/2"	2120-388
7A	Plate with Solid Pin Groove	2100-1650
7B	Keyed Plate	2100-1661
7C	Friction Disc (pair)	2300-390
7D	Belleville Washer	2200-817
7E	Belleville Washer Retaining Disc	2100-1621
7F	Adjustment Nut	2100-1622
7G	Brass Tipped Set Screw	2400-407
7H	Dowel Pin	2400-416
7I	Woodruff Key	2100-529
8	Sprocket, 40-A-48, with Bearing	2210-004
42	Drive Sprocket, 50-B-20, 1" Bore	2200-886
	Gear Reducer/Disconnect Assembly	2110-363
2	Gear Reducer, 10:1	2200-551
19	Shifter Lever Assembly	2120-132
18	Shifter Lever Fulcrum Assembly	2110-362
37	Shifter Lever Rod	2100-551
38	Pal Nut	2400-169
20	Locking Lever Plate	2100-1133
28	Locking Lever	2100-910
41	Shifter and Locking Lever Spring	2200-291

MODEL VS-GSLG Mechanical Parts List

Ref #	Description	Part Number
14	Shaft Collar, 1"	2200-014
11	Sprocket, 40 A 24, with Bearing	2110-364
30	Disconnect Collar, 1" (keyed)	2200-549
31	Shifter Block	2110-131
	Key, 1/4" x 1/4" x 2-1/4"	2400-133
32	Disconnect Spring	2200-115
33	Fender Washer, 3/8"	2400-308
34	Flat Washer, 3/8"	2400-017
35	Lock Washer, 3/8"	2400-016
36	HHCS, 3/8"-16 x 2-1/2"	2400-207
16	Idler Assembly	2110-700
	UHMW Idler Wheel	2300-697
	Idler Shaft	2100-1731
6	Rotary Limit Box Assembly	620-101375
	Small Switch	2500-2347
	Limit Switch	2500-764
	Standard Limit Shaft	2100-057
	Limit Nut	2200-030
	Detent Plate	2100-261
	Limit Box Enclosure with Cover	2110-162
	Limit Box Cover only	2300-2347
	Flange Bearing, 1/2" ID	2200-029
	Push-On Nut	2400-029
	Limit Drive Sprocket, 48-B-15, 1" bore	2200-042

For drives up to 34 feet wide:

39	Limit Box Sprocket, 48-B-10, 1/2" bore	2200-008
	#48 Chain, 25 Links	2200-922

For drives from 35 to 49 feet wide:

	Limit Box Sprocket, 48-B-15, 1/2" bore	2200-041
	#48 Chain, per foot, 27 Links	2200-200

For drives 50 to 65 feet wide:

MODEL VS-GSLG Mechanical Parts List

Ref #	Description	Part Number
	Limit Box Sprocket, 48-B-20, 1/2" bore	2200-276
	#48 Chain, per foot, 29 Links required	2200-654

For drives over 65 feet wide:

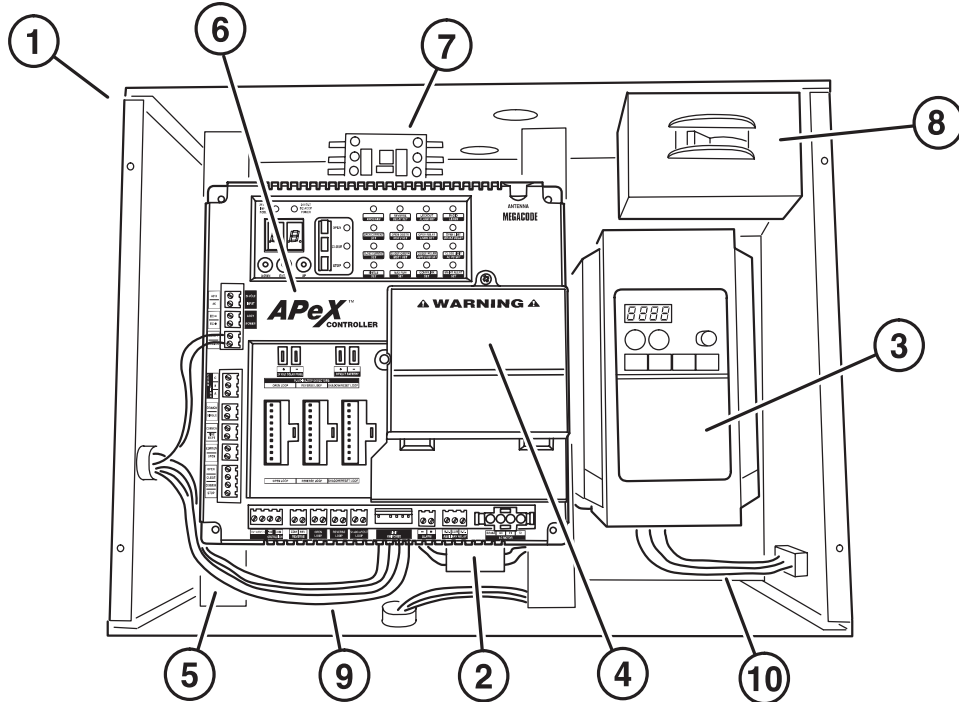
	Limit Box Sprocket, 48-B-30, 1/2" bore	2200-432
	#48 Chain, per foot, 32 links required	2200-654
	#48 Master Link	2200-010
	#40 Chain, 37 Links	2200-605
	#40 Master Link	2200-006
17	Rain Cover	2100-657-BT
24	#50 Roller Chain, per foot	2200-221
	#50 Master Link	2200-111
25	Chain Pin	2100-258
26	Tension Spring	2200-306
22	Gate Bracket	2100-2007
27	Hex Nut, 1/2"	2400-090
23	Gate U-Bolt	2400-170
21	Mounting U-Bolt	2400-038
	Alarm, 24VAC	620-101416

C-FACE MOTORS

4	1/2 HP, 208/230/460 VAC, 3 Phase	2500-2313
	1 HP, 208/230/460 VAC, 3 Phase	2500-2315
	2 HP, 208/230/460 VAC, 3 Phase	2500-372

Linear VS-GSLG Electrical Parts Diagrams

Controller Mechanical Parts List

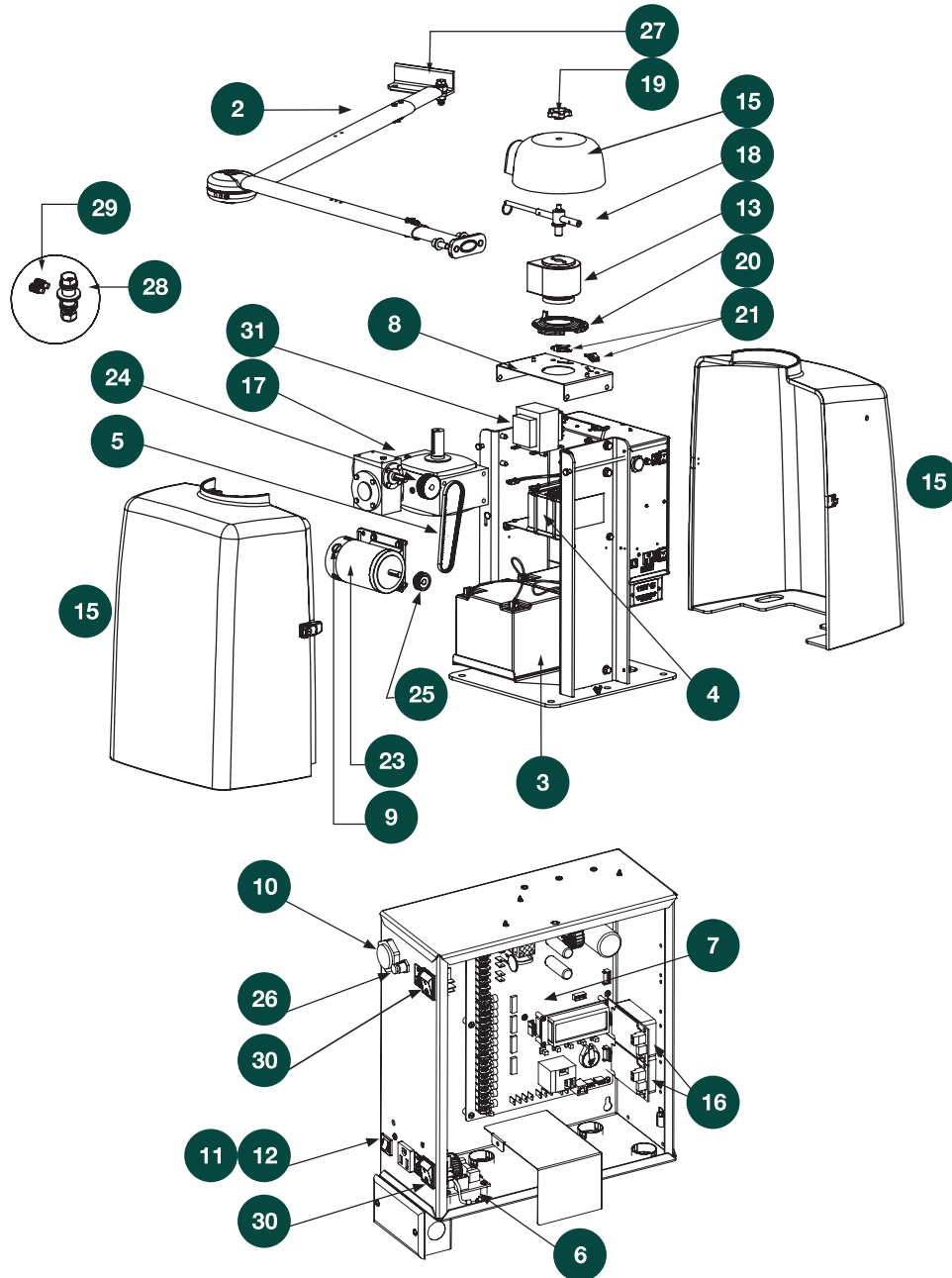


Item no.	Part Name	Part Number
Variable Speed Control Box Assemblies		
1	1/2 HP, 115V, 1-Phase Controller	2520-532
	1/2 HP, 208/230V, 1-Phase Controller	2520-533
	1/2 HP, 208/230V, 3-Phase Controller	2520-534
	1/2 HP, 460V, 3-Phase Controller	2520-535
	1 HP, 115V, 1-Phase Controller	2520-536
	1 HP, 208/230V, 1-Phase Controller	2520-537
	1 HP, 208/230V, 3-Phase Controller	2520-538
	1 HP, 460V, 3-Phase Controller	2520-539
	2 HP, 208/230V, 1-Phase Controller	2520-540
	2 HP, 208/230V, 3-Phase Controller	2520-541
	2 HP, 460V, 3-Phase Controller	2520-542
	Enclosure with Cover	2120-447

Item no.	Part Name	Part Number
Transformers		
2	115V to 24V, 40VA	2500-212
	208/230V to 24V, 40VA	2500-791
	460V to 24V, 40VA	620-101438
Hitachi Motor Drives		
3	1/2-1 HP, 115V, 1-Phase	2500-2245-JPS
	2 HP, 230V, 3-Phase	2510-527
	2 HP, 230V, 1-Phase	2510-528
	1/2-1 HP, 230V, 1-Phase	2510-529
	1/2-1 HP, 230V, 3-Phase	2510-530
	1/2-1 HP, 460V, 3-Phase	2510-535
	2 HP, 460V, 3-Phase	2510-534
Apex Parts		
4	3-Phase Motor Board	2500-1980
5	Apex Mounting Straps	2100-2149
6	Apex Module	620-101293
7	Brake Contactor (1/2)	2500-2084-HALF
8	Power On/Off Switch, 2 Pole, 115-230V 1PH	2500-2291
	Power On/Off Switch, 3 Pole, 460V	2500-2288
Wiring Harnesses		
9	Limit Switch Harness	2510-494
10	Control Box Motor Harness, 115/230V	2510-500
	Control Box Motor Harness, 460V	2510-501

SwingSmart™ DC Parts Diagrams

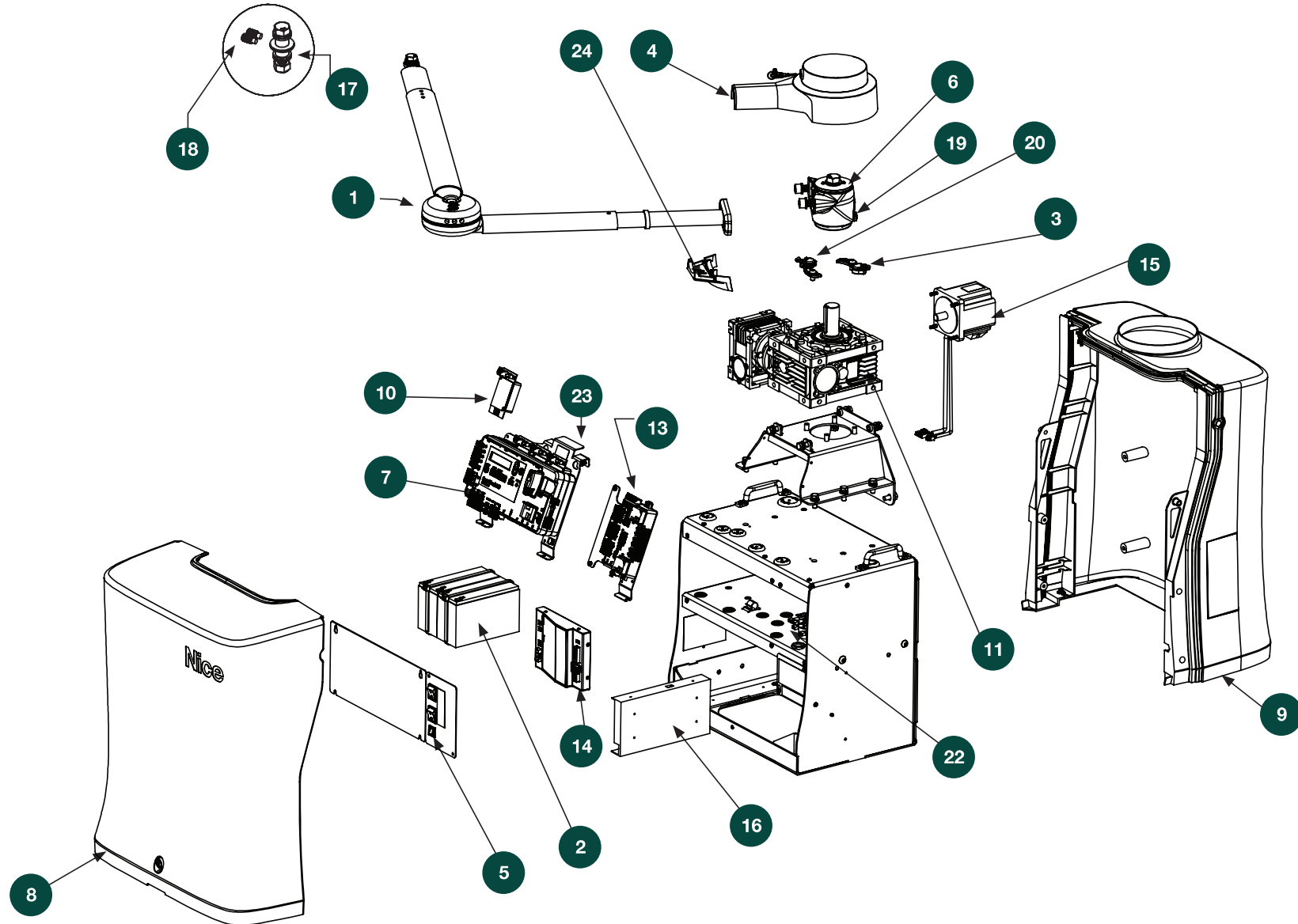
Chassis, Mechanical & Electrical



Item no.	Part Name	Part Number	SwingSmart DC Models
1	Arm Assembly, Dual Pivot	MX002011	all
2	Arm Assembly, Universal, Next Gen	MX4005	all
3	Battery Kit, 50Ah, Replacement	MX002013	all
4	Battery Kit, 8Ah, Replacement	MX002008	all
5	Belt, Drive	MX001744	all
6	Board, Power Supply, 115/230VAC	MX001766	all
7	Board, Smart DC Controller	MX3037-0	all
8	Bracket, Limit Switch	MX001658	all
9	Brush Kit, 24VDC Motor, Smart DC	MX001920	all
10	Buzzer, Piezo	MX001036	all
11	Circuit Breaker, 15A	MX001760	Solar only
12	Circuit Breaker, 5A	MX3796	AC only
13	Clamp Assembly, Taper	MX001743	all
14	Cover, 3-Piece	MX001926	all
15	Cover, Top Cap	MX001746	all
16	Detector, Vehicle, Hy5B™	MX4621	all
17	Gearbox, SwingSmart DC	MX002005	all
18	Handle, Clamp, Replacement Kit	MX001933	all
19	Knob, Top Cap	MX001703	all
20	Limit Plate and Blocks Assembly	MX001745	all
21	Limit Switch Kit	MX002006	all
23	Motor, Electric, 24VDC	MX001395	all
24	Pulley, Gearbox, 36T, 15mm	MX001404	all
25	Pulley, Motor, 24T, 9 mm	MX001403	all
26	Reset Switch, Internal	MX002124	all
27	Rod End, Ball Joint, Male	MX001695	for MX002818 arms only
28	Service Kit, Universal Gate Arm	MX4535	all
29	Socket Head Set Screw	MX3890	all
30	Switch, On/Off	MX001761	all
31	Transformer, 115/208-230VAC	MX002798	AC only

SwingSmart™ 535 Parts Diagrams

Chassis, Mechanical and Electrical



This drawing is a representation and should be used for reference only.

SwingSmart™ 535 Parts Diagrams

Chassis, Mechanical and Electrical

Item no.	Part Name	Part Number
1	Arm Assembly, Universal, Next Gen	MX4005
	Arm Assembly, Articulated for Uneven Grades	MX4000
2	Battery Kit, 8Ah, Replacement	MX002008
3	Bracket, Target Sensor	MX4004
4	Cap Assembly, Top	MX4365
5	Circuit Breaker, 8A	MX4613
6	Clamp Assembly, Taper, 535	MX3930
7	Controller, SmartTouch 725	MC5626
8	Cover, Front Assembly	MX4465
9	Cover, Rear Assembly, SwingSmart CNX	MX4460
10	Detector, Vehicle, Hy5B 2.0	MX4621
11	Gearbox, SwingSmart 535	MX4624
12	Harness, HSP1 COM	MX4330-01
13	Module, I/O Expansion Kit	MX4410
14	Power Module, SmartBLDC	MX5900-01
15	Motor, Brushless	MX4617
16	Power Supply, 36V	MX4409
17	Service Kit, Universal Gate Arm	MX4535
18	Socket Head Set Screw	MX3890
19	Target Magnet, SwingSmart 535	MX4265
20	Target, Sensor	MX4329-03
22	Alarm, Piezo Buzzer	MX001036
23	Bracket, Control Board Mount	MX4229
24	Shield, Top Cap, 535 Swing	MX4360

Nice, a world without limits.

Industry leading manufacturer of gate automation solutions

Niceforyou.com

**Nice North America
Corporate Office**

5919 Sea Otter Place, Suite 100
Carlsbad, Ca 92010
Tech: (760) 438 7000
Sales: (760) 438 7000
Toll Free: (800) 421 1587

**Nice North America | HySecurity
Gate & Barrier Division**

6705 S 209th St, Ste 101
Kent, WA 98032
Tech: (253) 201 2918
Sales: (253) 867 3700
Toll Free: (800) 321 9947

