

New 6" AdvanceDrive Wheels

OPERATORS: SlideDriver™ operator models using 6" AdvanceDrive wheels

DATE: 09/01/2020

SUBJECT: New 6" aluminum AdvanceDrive wheels

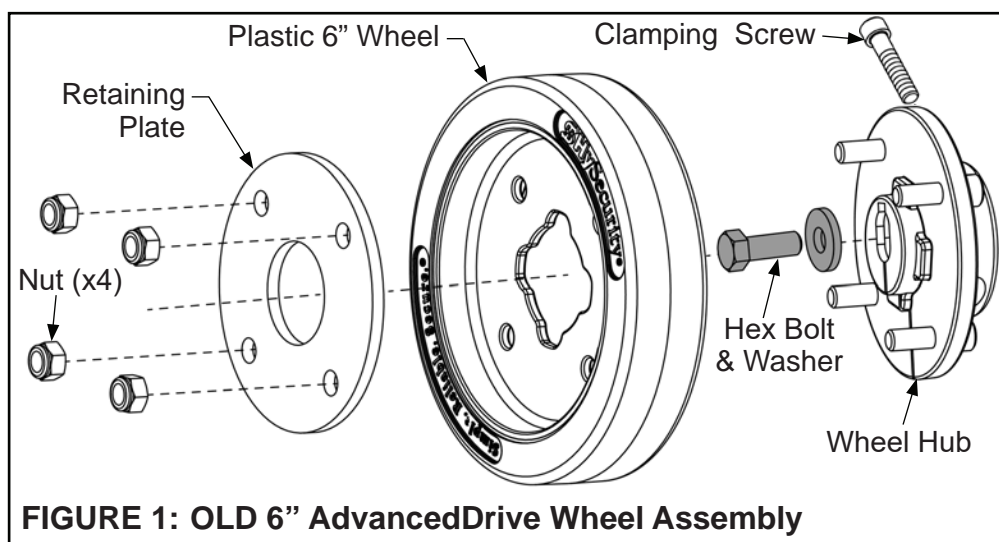
SUBJECT DESCRIPTION:

The 6" AdvanceDrive wheels used in SlideDriver models have been replaced with new wheels that do not require a metal retaining plate. The 8" AdvancedDrive and 8" XtremeDrive wheels used in some models will be updated similarly at a later date.

IMPACT:

Simpler disassembly during maintenance.

Figures 1 and 2 (below) show the differences between old and new AdvancedDrive wheel assemblies.



Part Numbers

Use the part numbers below to order 6" AdvanceDrive replacement kits.

To replace original aluminum wheels use:

P/N MX002707
AdvanceDrive, 6" wheel/hub

- wheel hub
- hub hardware (hex bolt, washer, clamping screw)
- new aluminum wheel
- lug nuts (x4)

To replace plastic wheels use:

P/N MX4994
AdvanceDrive, 6" wheel

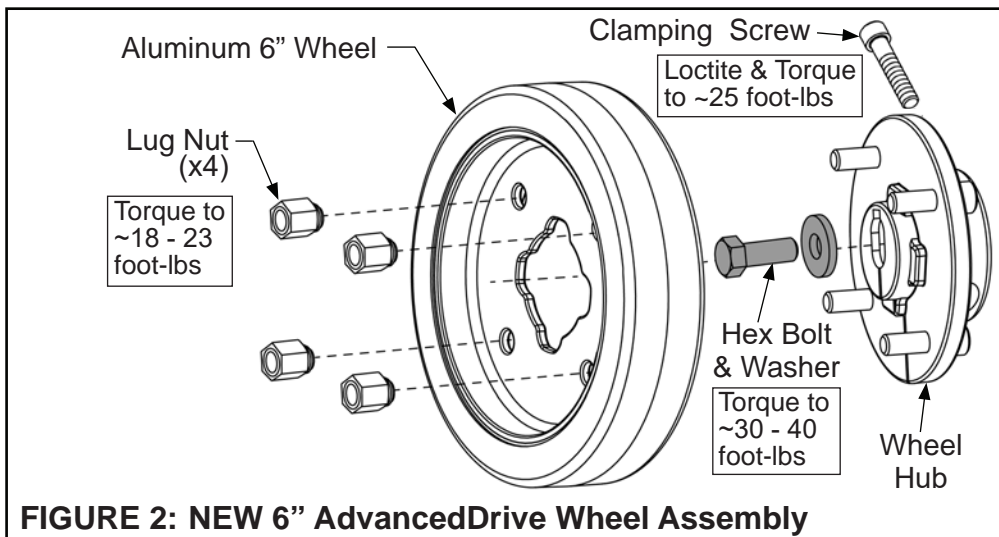
- new aluminum wheel
- lug nuts (x4)

To procure lug nuts, use:

P/N MX4993
Lug Nut, 82 Deg, 5/16-24

- lug nuts (x4)

NOTE: New wheels are compatible with the hubs from plastic wheels but require new nuts. If replacing older aluminum wheels they will need a kit with a new hub.



Contact Information:

Visit <https://support.hysecurity.com/hc/en-us> for installation manuals, replacement part instructions, part diagrams and more. Qualified HySecurity distributors are experienced and trained to assist in resolving installation problems. For the name of a qualified distributor near you, call HySecurity at 800-321-9947. *Before contacting your distributor or HySecurity Technical Support, obtain the serial number of your operator.