

## Installation and Programming Manual

---

# 7251/7351 Slide

Vehicular pad or post-mount slide gate operator with 1050 control board



7251 post mount with 1050 control board



7351 pad mount with 1050 control board



### CONTENTS

- LIST OF INSTRUCTIONS.....2**
- SECTION 1: 7251 / 7351 SLIDE GATE OPERATOR OVERVIEW.....3**
  - 1.1 1050 CONTROL BOARD FEATURES.....3
- SECTION 2: PARTS IDENTIFICATION.....5**
- SECTION 3: SAFETY AND UL325 USAGE CLASSES.....6**
- SECTION 4: INSTALLATION SAFETY.....11**
- SECTION 5: TOOLS & MATERIALS REQUIRED.....11**
  - 5.1 CONTROL BOX POWER REQUIREMENTS.....11
- SECTION 6: 7251 - POST-MOUNT INSTALLATION.....12**
- SECTION 7: 7351 - PAD-MOUNT INSTALLATION.....15**
- SECTION 8: CONTROL BOARD & MOTOR WIRING.....18**
- SECTION 9: BLUE BUS PHOTO EYE INSTALLATION.....23**
- SECTION 10: POWER OPTIONS AND WIRING.....27**
- SECTION 11: 120VAC ELECTRICAL WIRING SAFETY.....27**
  - 11.1 HIGH VOLTAGE WIRE GAUGE REQUIREMENTS.....28
- SECTION 12: ADJUSTING GATE OPEN/CLOSE LIMITS.....33**
- SECTION 13: FINAL ASSEMBLY & PROGRAMMING.....37**
- SECTION 14: PROGRAMMING AND CONTROLS.....43**
  - 14.1 CONTROL BOARD ERROR MESSAGES & TROUBLESHOOTING.....60
- SECTION 15: ACCESSORY CONNECTIONS.....61**
  - 15.1 OUTPUT CONNECTORS.....62
  - 15.2 INPUT CONNECTORS.....64
  - 15.3 COMMUNICATIONS BUSES.....67
- SECTION 16: EMERGENCY VEHICLE ACCESS.....68**
- SECTION 17: MANUAL QUICK RELEASE OPERATION.....69**
- SECTION 18: APPENDIX.....70**
  - 1.1 CALCULATING SOLAR REQUIREMENTS.....70
  - 18.1 MAINTENANCE SCHEDULE.....71
  - 18.2 SYSTEM TROUBLESHOOTING.....72
  - 18.3 INSTALLATION CHECKLIST.....73
  - 18.4 PART DRAWINGS.....74
  - 18.5 WARRANTY.....79

### LIST OF INSTRUCTIONS

- INSTRUCTION 1A:** 7251: INSTALL POST-MOUNT CONTROL BOX.....12
- INSTRUCTION 2A:** 7251: MOUNT CHAIN BRACKETS TO GATE FRAME.13
- INSTRUCTION 3A:** 7251: ROUTE CHAIN AND CONNECT CHAIN BOLT.14
- INSTRUCTION 1B:** 7351: 7351: INSTALL PAD-MOUNT CONTROL BOX...15
- INSTRUCTION 2B:** 7351: MOUNT CHAIN BRACKETS TO GATE FRAME.16
- INSTRUCTION 3B:** 7351: ROUTE CHAIN AND CONNECT CHAIN BOLT.17
- INSTRUCTION 4:** MOUNT BATTERY IN CHASSIS.....18
- INSTRUCTION 5A:** 7351 - WIRING MOTOR TO CONTROL BOARD.....19
- INSTRUCTION 5B:** 7251 - WIRING MOTOR TO CONTROL BOARD.....21
- INSTRUCTION 6:** DETERMINE BLUEBUS PHOTO EYE LOCATIONS.....23
- INSTRUCTION 7:** PREPARE BLUEBUS PHOTO EYES FOR INSTALL.....24
- INSTRUCTION 8:** INSTALL & WIRE BLUEBUS PHOTO EYES.....25
- INSTRUCTION 9:** CONNECT BLUEBUS PHOTO EYES TO BOARD.....26
- INSTRUCTION 10:** ATTACH WARNING SIGNS TO GATE.....26
- INSTRUCTION 11:** CONNECT BATTERY CABLES TO BATTERY.....28
- INSTRUCTION 12:** MAIN DC POWER - INPUT CONNECTIONS.....29
- INSTRUCTION 13A:** SOLAR PANEL CONNECTION - 10W TO 20W.....29
- INSTRUCTION 13B:** SOLAR PANEL CONNECTION - 30W & ABOVE.....30
- INSTRUCTION 14:** POWER UP CONTROL BOARD.....31
- INSTRUCTION 15:** SELECT CONTROL BOARD STANDBY MODE.....32
- INSTRUCTION 16:** GATE LIMIT LEARNING PROCEDURE.....34
- INSTRUCTION 17:** PHOTO EYE STATUS & TROUBLESHOOTING.....37
- INSTRUCTION 18:** BLUEBUS PHOTO EYE ALIGNMENT.....38
- INSTRUCTION 19:** BLUEBUS PHOTO EYE TESTING.....39
- INSTRUCTION 20:** BLUEBUS PHOTO EYE FINAL ASSEMBLY.....39
- INSTRUCTION 21:** INSTALLING THE AUDIO ALARM.....40
- INSTRUCTION 22:** ASSIGNING NEW REMOTE CONTROL.....41
- INSTRUCTION 23:** DELETING SINGLE REMOTE CONTROL.....42
- INSTRUCTION 24:** DELETING ALL REMOTE CONTROLS.....42
- INSTRUCTION 25:** CONTROL BOARD MENU NAVIGATION.....44
- INSTRUCTION 26:** EVENT PROGRAMMING INSTRUCTIONS.....53
- INSTRUCTION 27:** SUSPEND EVENT INSTRUCTIONS.....53
- INSTRUCTION 28:** CALCULATING SOLAR REQUIREMENTS.....70

## SECTION 1: 7251 / 7351 SLIDE GATE OPERATOR OVERVIEW

Congratulations on selecting a Nice series gate operator using the 1050 control board. With proper selection, system design, installation and maintenance this operator should provide years of reliable operation.

### **EXTREMELY IMPORTANT!**

Anyone who installs, assists with installation or otherwise facilitates the installation in any manner should thoroughly read and understand this manual in its entirety before any attempt is made to actually begin the installation process.

### 1.1 1050 CONTROL BOARD FEATURES

The 1050 control board offers the following features:

- 2-line LCD with 5 dedicated programming buttons, 3 buttons for navigation, 3 buttons for open, close, and stop.
- A plug-in Nice radio receiver for control by up to 1000 transmitters.
- Connectors include 2-wire Bluebus for self-monitored photocells for entrapment protection.
- Dry contact inputs provided for loop, probe, edge, & photo detectors, guard station, fire dept.
- 1050 control board accepts DC input voltage of 10VDC to 35VDC.
- Voltage output (+12VDC and +24VDC) connectors to power various added accessories.
- Built-in regulator to keep the battery charged (either through Solar or Main DC Power).
- Inputs for batteries, Main DC Power, and solar panel.
- Eight clock/calendar timers for scheduled weekly or daily events (i.e. opening, closing, or locking).
- Programmable gate opening and closing speed, acceleration, soft-start settings, and reverse speed.
- Programmable auto-close, force, speed, opening delay.
- Built-in current sensing for gate force monitoring and limiting with on-board alarm.
- Low power consumption in stand-by mode.
- Built-in voltmeter to check input voltage, battery voltage, solar panel voltage and motor's current.
- Temperature sensor to optimize charging battery and system performance.
- Programmable service alarm.
- Surge suppression on every peripheral input (digital and analog).
- A RJ-11 jack connection for optional O-view programmer and Bluetooth module for PC control.

7251 / 7351 SYSTEM SPECIFICATIONS		
MODEL	7251 - POST MOUNT	7351 - PAD MOUNT
ENCLOSURE (W x H x D)	22 x 22 x 15.5 inches (56 x 56 x 39.4 cm)	20.5 x 26.5 x 18 inches (52 x 67.3 x 45.7 cm)
DUTY CYCLE	Varies based on charging capacity	
DRIVE	Electro-mechanically driven chain	
RATE OF TRAVEL	1 ft/sec (30 cm/sec.)	
GATE LENGTH MAX.	25 ft (7m)	
GATE WEIGHT MAX.	800 Lb (362 kg)	
TEMPERATURE RATING	-4° to 122° F (-20° to 50° C)	
OPERATING VOLTAGE	12VDC	
INPUT VOLTAGE	Main DC power in: 10-35 VDC, solar in: 10-35 VDC, 30A Max.	
IDLE CURRENT	10mA	
ACCESSORY POWER	3A	
USER CONTROLS	1050 control board (open, stop, close, reset)	
FINISH	Powder coated black	
SENSOR TYPE INPUTS	Edge, photo eye, and ground loops	
BATTERY POWER	12 or 24 VDC	
INCLUDED SENSORS	Photo eye TX/RX through beam pair	
ACCESSORY CONNECTORS	Power, mag lock, lamp, alarm, loops, edge, exit, guard station, Fire, BlueBUS	
RELAYS	Two programmable relays	
UL 325 CERTIFICATION	Usage class I, II, III, IV	

## SECTION 2: PARTS IDENTIFICATION

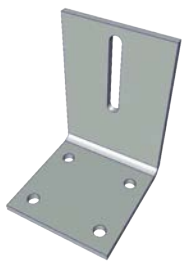
7251 / 7351 CONTROL BOX PARTS LIST		
PART#	DESCRIPTION	QTY
7251 or 7351	Post mount or pad mount control box w/ cover	1
OXI/A	Multi-channel plug-in receiver	1
273C	Gate warning signs (UL requirement)	2
75500019	Cable ties	10
911	Audio alarm (UL requirement)	1
EPMB/A	Photo eyes, thru-beam pair	2
10020715	Chain bracket	2
72520001	#40 Roller chain (35 feet)	1
	Master links	2
10003115	Chain bolts	2
N/A	5/16" x 3", U-Bolts	4
N/A	5/16" x 2", U-Bolts	4
10016790	Hardware kit	1



7251 POST MOUNT  
 CONTROL BOX  
 W/ 1050 CONTROL  
 BOARD  
 (Cover Not Shown)



7351 PAD MOUNT  
 CONTROL BOX  
 W/ 1050 CONTROL  
 BOARD  
 (Cover Not Shown)



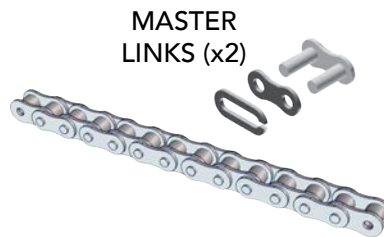
CHAIN BRACKET  
 (x2)  
 (P/N 10020715)



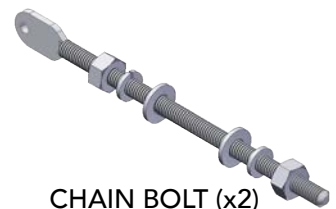
U-BOLT  
 (x4)  
 5/16" x 3"



U-BOLT  
 (x4)  
 5/16" x 2"



ROLLER CHAIN (35')  
 (P/N 72520001)



CHAIN BOLT (x2)  
 (P/N 10003115)



CABLE TIES (x10)  
 (P/N 75500019)



WARNING SIGNS  
 (x2) (P/N 273C)



THRU-BEAM PHOTO EYE  
 TX/RX PAIR (x2)  
 O(P/N EPMB/A)



RECEIVER (x1)  
 (P/N OXI/A)



AUDIO ALARM  
 (x1) (P/N 911)



**SECTION 3: SAFETY AND UL325 USAGE CLASSES**

The UL325 standard covers gate operators. Within this safety standard several Usage Classes are described that define different types of installations where gate operators can be applied. Some operators are restricted in their usage application. All Nice USA operators are approved for use in all four UL325 Usage Classes. Appropriate Usage Classes are shown in the Specifications.

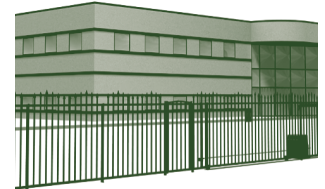
**CLASS I RESIDENTIAL GATE OPERATOR**

Intended for use in a location of one to four single family dwellings or a parking area associated with one to four single family dwellings.



**CLASS III INDUSTRIAL/LIMITED ACCESS GATE OPERATOR**

Intended for use in an industrial location or building such as factories or loading docks or other locations not intended to service general public.



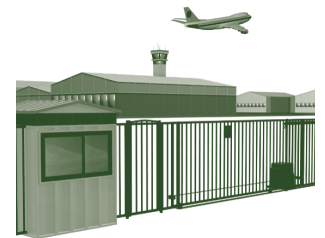
**CLASS II COMMERCIAL/GENERAL ACCESS GATE OPERATOR**

Intended for use in a commercial location or building such as a multi-family housing units (five or more single family units) hotels, garages, retail stores or other buildings servicing general public.



**CLASS IV RESTRICTED ACCESS GATE OPERATOR**

Intended for use in guarded industrial locations or buildings such as an airport security area or other restricted access location, not servicing general public, in which access is monitored by security personnel or via closed circuitry.



**IMPORTANT!**

- The gate operator installation is NOT a “do-it-yourself” project. Contract a qualified gate operator installation company to ensure a safe and reliable installation.
- It is the responsibility of the property owner to ensure the installer is qualified to carry out the installation in a safe and professional manner.
- Consult local government agencies for latest rules and regulations to satisfy licensing, codes or regulations for automated gate system design and installation.

**SAFETY, WARNINGS, AND CAUTIONS**

A gate operator is only a component in a gate system. The other parts of the gate system can include:

- the gate
- the external entrapment sensors
- access controls
- vehicle detectors

To have a gate system that provides safety, security, and reliable operation it is essential these components operate together as a system. It is the responsibility of the system designer and/or installer to ensure any safety or operational issues have been addressed.

**! DANGER!**  
**TO REDUCE THE RISK OF SEVERE INJURY, DEATH, OR PROPERTY DAMAGE READ AND FOLLOW ALL SAFETY INSTRUCTIONS. SAVE THESE INSTRUCTIONS!**

- Never let children operate or play with gate controls. Keep the remote control away from children.
- Always keep people and objects away from the gate. No one should cross the path of the moving gate.
- Test the gate operator monthly. Gate must reverse on contact with a rigid object or stop when an object activates the non-contact sensors. After adjusting the force or the limit of travel, retest the gate operator. Failure to adjust and retest the gate operator properly can increase the risk of injury or death.
- Use the emergency release only when gate is not moving.
- Keep gates properly maintained. Read user’s manual. Have a qualified service person make repairs to gate hardware.
- The entrance is for vehicles only. Pedestrians must use separate entrance.

### UL325 USAGE CLASSES

The UL325 standard covers gate operators. Within this safety standard several Usage Classes are described that define different types of installations where gate operators can be applied. Some operators are restricted in their usage application. All Nice USA operators are approved for use in all four UL325 Usage Classes. Appropriate Usage Classes are shown in the Specifications.

**CLASS I RESIDENTIAL GATE OPERATOR:** Intended for use in a location of one to four single family dwellings or a parking area associated with one to four single family dwellings.

**CLASS II COMMERCIAL/GENERAL ACCESS GATE OPERATOR:** Intended for use in a commercial location or building such as a multi-family housing units (five or more single family units) hotels, garages, retail stores or other buildings servicing general public.

**CLASS III INDUSTRIAL/LIMITED ACCESS GATE OPERATOR:** Intended for use in an industrial location or building such as factories or loading docks or other locations not intended to service general public.

**CLASS IV RESTRICTED ACCESS GATE OPERATOR:** Intended for use in guarded industrial locations or buildings such as an airport security area or other restricted access location, not servicing general public, in which access is monitored by security personnel or via closed circuitry.

### VEHICULAR TRAFFIC ONLY

This automatic gate operator is not designed nor is it intended for pedestrian traffic. Vehicular gate operators must by their nature be powerful to function reliably. This power can cause injury or death. Accordingly, direct all pedestrian traffic to a separate walk-through gate.

### GATE INSTALLATION REQUIREMENTS

Install this gate operator only when:

- The operator is appropriate for the construction of the gate and the usage Class of the gate;
- All openings of a horizontal slide gate are guarded or screened from the bottom of the gate to a minimum of 1.83 meters (6 feet) above the ground to prevent a 57.2 mm (2-1/4 inches) diameter sphere from passing through the openings anywhere in the gate, and the portion of the adjacent fence that the gate covers in the open position;
- All exposed pinch points are eliminated or guarded;
- guarding is supplied for exposed rollers;
- When utilizing a Nice 936 or 1050 board, a maximum of 8 entrapment protection devices (6 BlueBUS and 2 pulse outputs may be connected.

### PEDESTRIAN TRAFFIC

The operator is intended for installation on gates used for vehicles only. Pedestrians must be supplied with a separate access opening. The pedestrian access opening shall be designed to promote pedestrian usage. Locate the gate such that persons will not come in contact with the vehicular gate during the entire path of travel of the vehicular gate.

### GATE CLEARANCES

The gate must be installed in a location so that enough clearance is supplied between the gate and adjacent structures when opening and closing to reduce entrapment risk. Swinging gates shall not open into public access areas.

### GATE CONDITION

The gate must be properly installed and work freely in both directions prior to gate operator installation. Don't change operator Force Sensitivity setting to compensate for an improperly installed, improperly functioning, or damaged gate.

### GATE CONTROL ACCESS

Permanently mounted controls intended for user activation must be located at least 1.83 m (6 ft) away from any moving part of the gate and where the user is prevented from reaching over, under, around or through the gate to operate the controls. Exception: Emergency access controls only accessible by authorized personnel (e.g. fire, police, EMS) may be placed at any location in the line-of-sight of the gate.

### STOP/START BUTTON LOCATION

The Stop and/or Reset button must be located in the line-of-sight of the gate. Activation of the reset control shall not cause the operator to start.

### WARNING SIGNS

A minimum of two (2) WARNING SIGNS shall be installed, in the area of the gate. Each placard is to be visible by persons located on the side of the gate on which the placard is installed.

### PHOTO EYE SENSORS

For gate operators using a non-contact sensor (Photo Eye):

- See instructions on the placement of non-contact sensors for each type of application.
- Care shall be exercised to reduce the risk of nuisance tripping, such as when a vehicle trips the sensor while the gate is still moving.
- One or more non-contact sensors shall be located where the risk of entrapment or obstruction exists, such as the perimeter reachable by a moving gate or barrier.

### CONTACT SENSORS (EDGE)

For a gate operator utilizing a contact sensor (Edge):

- One or more contact sensors shall be located where entrapment or obstruction risks exists, such as at the leading edge, trailing edge, and post mounted both inside and outside of a vehicular horizontal slide gate.
- A hardwired contact sensor shall be located and its wiring arranged so that the communication between the sensor and the gate operator is not subjected to mechanical damage.
- A wireless device such as one that transmits radio frequency (RF) signals to the gate operator for entrapment protection functions shall be located where the transmission of the signals are not obstructed or impeded by building structures, natural landscaping or similar obstruction. A wireless device shall function under the intended end-use conditions.
- One or more contact sensors shall be located on the inside and outside leading edge of a swing gate. Additionally, if the bottom edge of a swing gate is greater than 152 mm (6 in) but less than 406 mm (16 in) above the ground at any point in its arc of travel, one or more contact sensors shall be located on the bottom edge.

### USE OF VEHICLE DETECTORS

Use of vehicle detectors (loop detectors) is strongly encouraged to prevent damage to vehicles caused by gates closing on them. This is not considered to be a safety item as vehicle detectors cannot provide protection to pedestrians. In some situations, photoelectric devices may be used as vehicle detectors, but should be wired accordingly.

### GATE CONSTRUCTION & SAFETY

Gate construction plays a very important role in ensuring the safety of any automated gate system. The standard for gate construction is ASTM F2200. Below are key areas to address safety in gate design. For complete information consult the standard. Copies of the standard are available at:

<https://www.astm.org/Standards/F2200.htm>

Another source of information is available from DASMA, the Door and Access System Manufacturer's Association. The Association publishes Technical Data Sheets, one of which concerns ASTM F2200. For more information, see:

<http://www.dasma.com/PDF/Publications/TechDataSheets/OperatorElectronics/TDS370.pdf>

### GENERAL GATE CONSTRUCTION REQUIREMENTS:

#### GATE TYPES

Gates shall be constructed in accordance with the provisions given for the appropriate gate type listed. Refer to ASTM F2200 for additional gate types.

#### DETACHED GATES

Gates shall be designed, constructed and installed to not fall over more than 45 degrees from the vertical plane, when a gate is detached from the supporting hardware.

#### GATE BOTTOM EDGE

Gates shall have smooth bottom edges, with vertical bottom edged protrusions not exceeding 0.50 inch (12.7 mm) when other than the exceptions listed ASTM F2200.

#### BARBED WIRE/TAPE HEIGHT

The minimum height for barbed wire shall not be less than 6 ft. (1.83 m) above grade. The minimum height for barbed tape shall not be less than 8 ft. (2.44 m) above grade.

#### EXISTING GATE LATCHES

An existing gate latch shall be disabled when a manually operated gate is retrofitted.

#### GATE LATCH RESTRICTIONS

A gate latch is not allowed on an automatically operated gate.

#### GATE PROTRUSIONS

Protrusions shall not be permitted on any gate. Consult ASTM F2200 for exceptions.

#### GRAVITY AND GATE MOVEMENT

Gates shall be designed, constructed and installed such that their movement shall not be initiated by gravity when an automatic operator is disconnected.

#### PEDESTRIAN GATES

For pedestrian access in the vicinity of an automated vehicular gate, a separate pedestrian gate shall be provided. The pedestrian gate shall be installed in a location such that a pedestrian shall not come in contact with a moving vehicular access gate. A pedestrian gate shall not be incorporated into an automated vehicular gate panel.

#### UPGRADING NON-AUTOMATIC GATES

Any non-automated gate that is to be automated shall be upgraded to conform to the provisions of this specification.

#### PEDESTRIAN AND NON-AUTOMATIC GATES

This specification shall not apply to gates generally used for pedestrian access and to vehicular gates not to be automated.

#### UPGRADING EXISTING AUTOMATED GATES

Any existing automated gate, when the operator requires replacement, shall be upgraded to conform to the provisions of this specification in effect at that time.

### VEHICULAR HORIZONTAL SLIDE GATE REQUIREMENTS:

#### CLASS I, II AND III VEHICULAR HORIZONTAL SLIDE GATES:

The following provisions shall apply to Class I, Class II and Class III vehicular horizontal slide gates:



### Exposed Rollers

All weight bearing exposed rollers 8 feet (2.44 m), or less, above grade shall be guarded or covered

### Guarding or Screening Gate Openings

All openings shall be designed, guarded, or screened from the bottom of the gate to the top of the gate or a minimum of 72 inch (1.83 m) above grade, whichever is less, to prevent a 2 1/4 inch (57 mm) diameter sphere from passing through the openings anywhere in the gate, and in that portion of the adjacent fence that the gate covers in the open position. The gate panel shall include the entire section of the moving gate, including any back frame or counterbalance portion of the gate.

### Gaps Between Gate Frames and Other Objects

A gap, measured in the horizontal plane parallel to the roadway, between a fixed stationary object nearest the roadway (such as a gate support post) and the gate frame when the gate is in either the fully open position or the fully closed position, shall not exceed 2 1/4 inch (57 mm). Exception: All other fixed stationary objects greater than 16 inch (406 mm) from the gate frame shall not be required to comply with this section.

### Class I, Class II and Class III Gate Stops

Positive stops shall be required to limit travel to the designed fully open and fully closed positions. These stops shall be installed at either the top of the gate, or at the bottom of the gate where such stops shall horizontally or vertically project no more than is required to perform their intended function.

### Gate Lateral Stability

All gates shall be designed with sufficient lateral stability to assure that the gate will enter a receiver guide. Consult ASTM F2200 for details on various gate panel types.

### CLASS IV VEHICULAR HORIZONTAL SLIDE GATES:

The following provisions shall apply to Class IV vehicular horizontal slide gates:

#### Guarded or Covered Rollers

All weight bearing exposed rollers 8 feet (2.44 m), or less, above grade shall be guarded or covered.

#### Class IV Gate Stops

Positive stops shall be required to limit travel to the designed fully open and fully closed positions. These stops shall be installed at either the top of the gate, or at the bottom of the gate where such stops shall horizontally or vertically project no more than is required to perform their intended function.

### CLASS I, II, AND III HORIZONTAL SWING GATES:

The following provisions shall apply to Class I, Class II, and Class III horizontal swing gates:

#### Avoiding Entrapment Areas

Gates shall be designed, constructed and installed so as not to create an entrapment area between the gate and the supporting structure or other fixed object when the gate moves toward the fully open position, subject to the following provisions.

#### Open Gate Size Restrictions

The width of an object (such as a wall, pillar or column) covered by a swing gate when in the open position shall not exceed 4 inch (102 mm), measured from the centerline of the pivot point of the gate. Exception: For a gate that is not in compliance with this provision, the defined area shall be subject to the entrapment protection provisions of UL 325.

#### Open Gate Minimum Distance to Objects

Except for the zone specified in Open Gate Size Restriction (above) the distance between a fixed object such as a wall, pillar or column, and a swing gate when in the open position shall not be less than 16 inch (406 mm). Exception: For a gate that is not in compliance with this provision, the defined area shall be subject to the entrapment protection provisions of UL 325.

#### Class IV Installations

Class IV vehicular horizontal swing gates shall be designed, constructed and installed in accordance with security related parameters specific to the application in question.

## MAINTENANCE OF GATE SYSTEMS

To keep your automated gate system performing both safely and reliably it is important to ensure that the components of that system are functioning properly. At least monthly:

### GATE TRAVEL TESTING

Disconnect the gate operator and manually move the gate through its range of travel. Note any squeaks from rollers or hinges or areas of binding. The gate should travel smoothly and quietly throughout its range. If it does not, contact a gate professional to correct the problem.

### SAFETY DEVICE TESTING

Reconnect gate operator and perform the following tests:

#### PHOTO EYE BLOCKAGE TEST

With the gate opening, block any photo eyes and/or depress any safety edges used to protect the open direction. The gate should stop, or, stop and reverse.

#### EDGE CONTACT TEST

With the gate closing, block any photo eyes and/or depress

any safety edges used to protect the close direction. The gate should stop, or, stop and reverse.

### OBSTRUCTION TEST - OPENING

Using a suitable obstruction in the path of the gate (a solid, immovable object), run the gate in the open direction until it contacts the obstruction. The gate should stop and reverse.

### ENTRAPMENT PROTECTION

The UL325 standard for gate operators requires a minimum of two independent entrapment protection means for each entrapment zone. An entrapment zone is defined as follows:

For slide gates, any locations between a moving gate and a counter opposing edge or surface where entrapment is possible up to a height of 6 ft. (1.83 m) above grade. Such locations occur if at any point in travel if the gap between a moving gate and the fixed counter opposing edges or surfaces is less than 16 inch (406 mm).

For swing gates, locations between a moving gate or moving, exposed operator components and a counter opposing edge or surface where entrapment is possible up to 6 feet (1.83m) above grade. Such locations occur if during any point in travel:

- a. The gap between the bottom of a moving gate and the ground is greater than 4 inch (101.6 mm) and less than 16 inch (406 mm); or
- b. The distance between the center line of the pivot and the end of the wall, pillar, or column to which it is mounted when in the open or closed position exceeds 4 inch (101.6 mm). Any other gap between a moving gate and fixed counter opposing edges or surfaces or other fixed objects is less than 16 inch (406 mm) (examples are walls, curbs, berms or other immovable objects).
- c. Potential entrapment zones are shown in INSTRUCTION 6, IMAGE 6-1 & for slide gates, but there may be other entrapment zones presented by the actual installation and adjacent structures or landscape that must be protected as well. All Nice gate operators feature an Inherent Entrapment System (IES) (UL325 Type A) that monitors the force on the gate during travel. This system protects in both the open and close direction and reverses on contact with an obstruction. This IES system serves as one of the means of entrapment protection.

External sensors must be used to protect against entrapment at each location where an entrapment zone exists. The minimum number of external sensors required to enable automatic operation of the swing gate is one sensor in the close direction (provided the gate in the open direction presents no risk of entrapment.)

The gate operator tests for the presence of at least one functioning sensor, and if not found, the operator will only run using continuous pressure on an Open/Close button, either on the controller, or an external device.

### SENSORS AND ACCESSORIES

Instructions are provided in this manual for installation of the photo eye transmitter/receiver pair per UL325 requirements, and separate instructions are included if other sensor types are included in the kit. If other sensors are used to avoid entrapment scenarios, ensure the following:

- Non-contact and contact sensors must be installed individually or in combination with each other to provide external entrapment protection.
- Care should be exercised to reduce the risk of nuisance tripping, such as when a vehicle trips the sensor while the gate is still moving, and one or more non-contact sensors shall be located where the risk of entrapment or obstruction exists, such as the perimeter reachable by a moving gate or barrier.
- A hardwired contact sensor shall be located and its wiring arranged so that the communication between the sensor and the gate operator is not subjected to mechanical damage.
- A wireless contact sensor such as one that transmits radio frequency (RF) signals to the gate operator for entrapment protection functions shall be located where the transmission of the signals are not obstructed or impeded by building structures, natural landscaping or similar obstruction.

### COMPATIBLE EXTERNAL SENSORS

Only the following external sensors have been evaluated and tested with Nice 1050 control boards and are approved to be used for protection against entrapment:

- Nice BlueBUS Through-Beam Photo Eye
- ASO Sentir Series Contact Edge
- Miller Edge GEM-103 Edge Sensor Converter
- EMX IRB-RET Retro-Reflective Photo Eye
- EMX NIR-50-325 Retro-Reflective Photo Eye
- EMX WEL-200 Wireless Edge Transmitter/Receiver

## SECTION 4: INSTALLATION SAFETY

### IMPORTANT!

- The gate operator installation is NOT a “do-it-yourself” project. Contract a qualified gate operator installation company to install this system to ensure a safe and reliable installation.
- Property owner is responsible to ensure installer is qualified to make a safe and professional installation.
- Consult local government agencies for up-to-date rules and regulations to satisfy licensing, codes or regulations that regulate automated gate system design and installation.
- The gate being modified should be level and plumb and the gate should open easily and evenly.

## SECTION 5: TOOLS & MATERIALS REQUIRED

Below is a list of tools and materials necessary for installation of the control box:

- Wire cutters/strippers
- Basic hand tools (screwdrivers, pliers, etc..)
- 5/16” and 3/8” wrenches
- Bubble Level
- Drill and assorted size bits
- Electrical conduits, grommets, asphalt patch, etc. as needed
- Excavation tools for installing posts and mounting pad
- Concrete (for pad)
- Two 3” width posts long enough to provide a stable 24” height above ground
- Chain breaking tool

### 5.1 CONTROL BOX POWER REQUIREMENTS

The following are required to power the 7251 or 7351 control box:

- 12VDC battery to power the control board
- An AC-to-DC fully automatic charger, a 12-30 VDC power source, and/or solar panel to charge the battery.

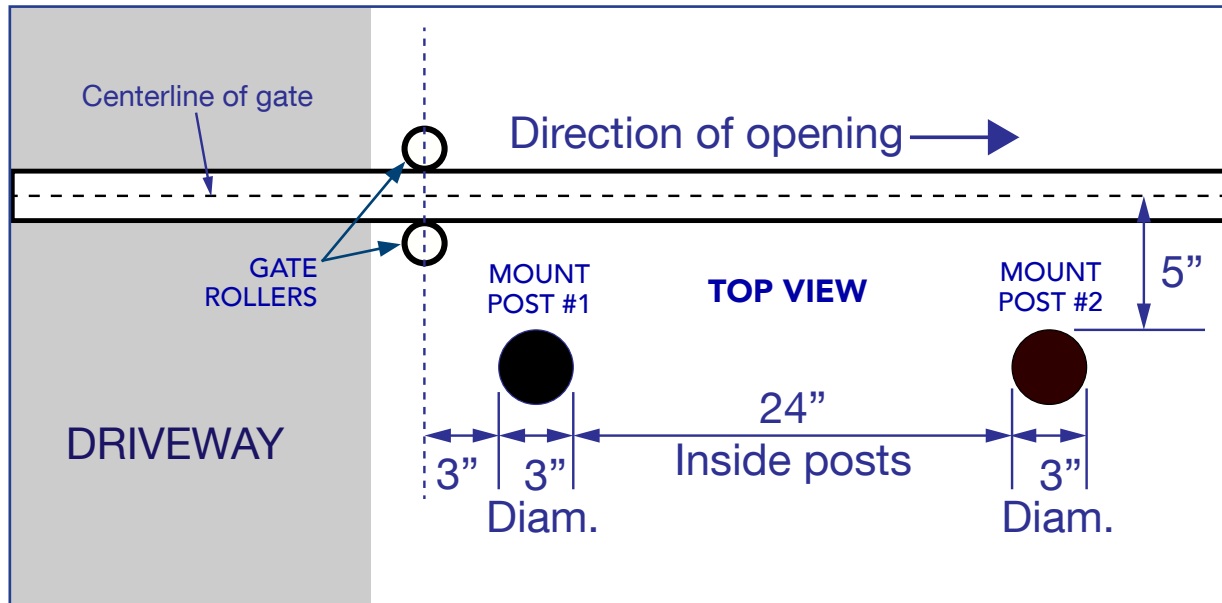
Nice offers AC-to-DC converters and solar panel solutions for charging 12VDC batteries. Recommended battery specifications are as follows:

RECOMMENDED 12VDC BATTERY SPECIFICATIONS
12 Volt DC Output
Sealed lead acid starter battery
Terminal posts on top (not sides)
35 AMP hours or larger for AC charging applications
70 AMP hours or larger for Solar charging applications & Longer Backup

**SECTION 6: 7251 - POST-MOUNT INSTALLATION**

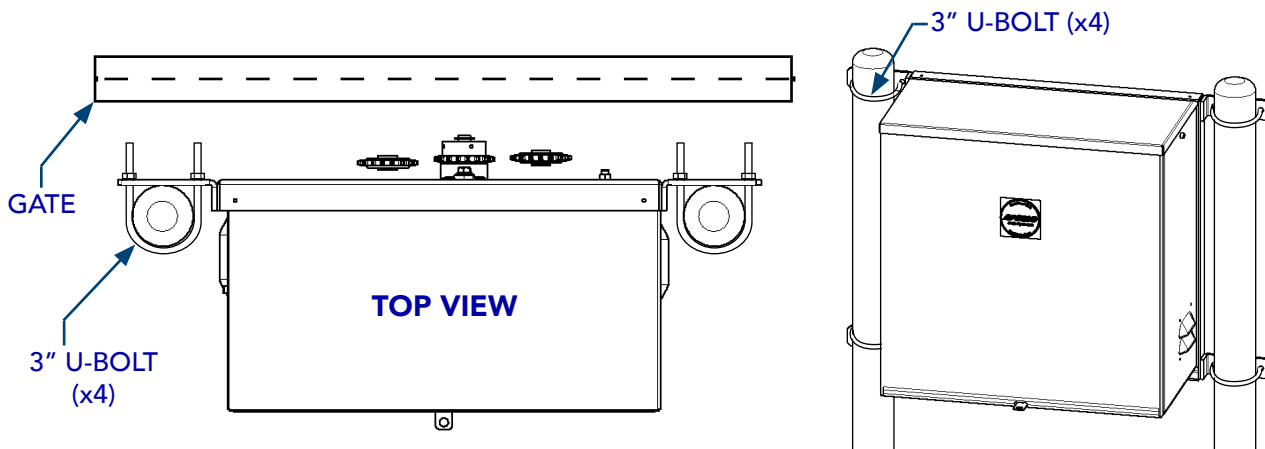
**1A 7251: INSTALL POST-MOUNT CONTROL BOX**

- Secure two 3" posts in the ground as necessary for your type of soil conditions and building codes per IMAGE 1A-1. Post height must be a minimum of 24" in above ground level.



**IMAGE 1A-1: INSTALLING THE TWO MOUNTING POSTS**

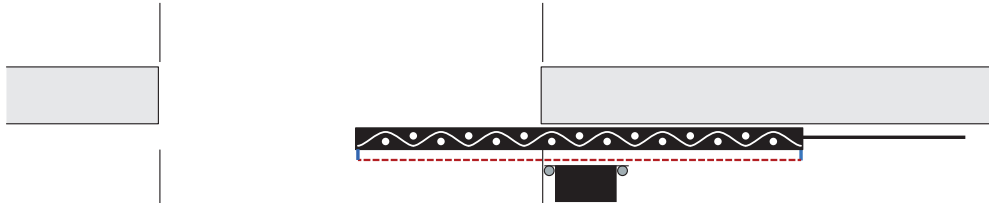
- Mount operator to posts at desired height using the four supplied 5/16" x 3" U-Bolts and 5/16" nuts and tighten into place making sure operator is level.



**IMAGE 1A-2: AFFIXING CONTROL BOX TO MOUNTING POSTS**

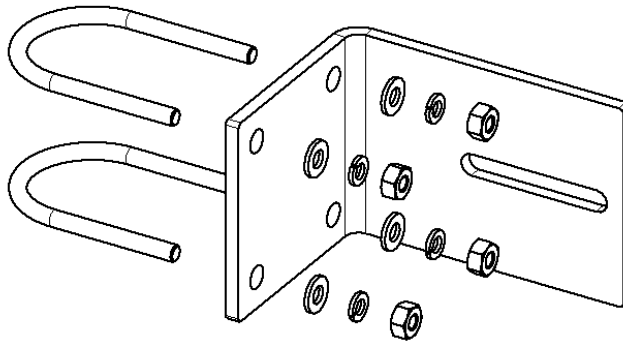
## 2A 7251: MOUNT CHAIN BRACKETS TO GATE FRAME

1. Put the gate in the center of travel of the opening (IMAGE 2A-1). The gate should remain in this position while the chain is attached to the operator.

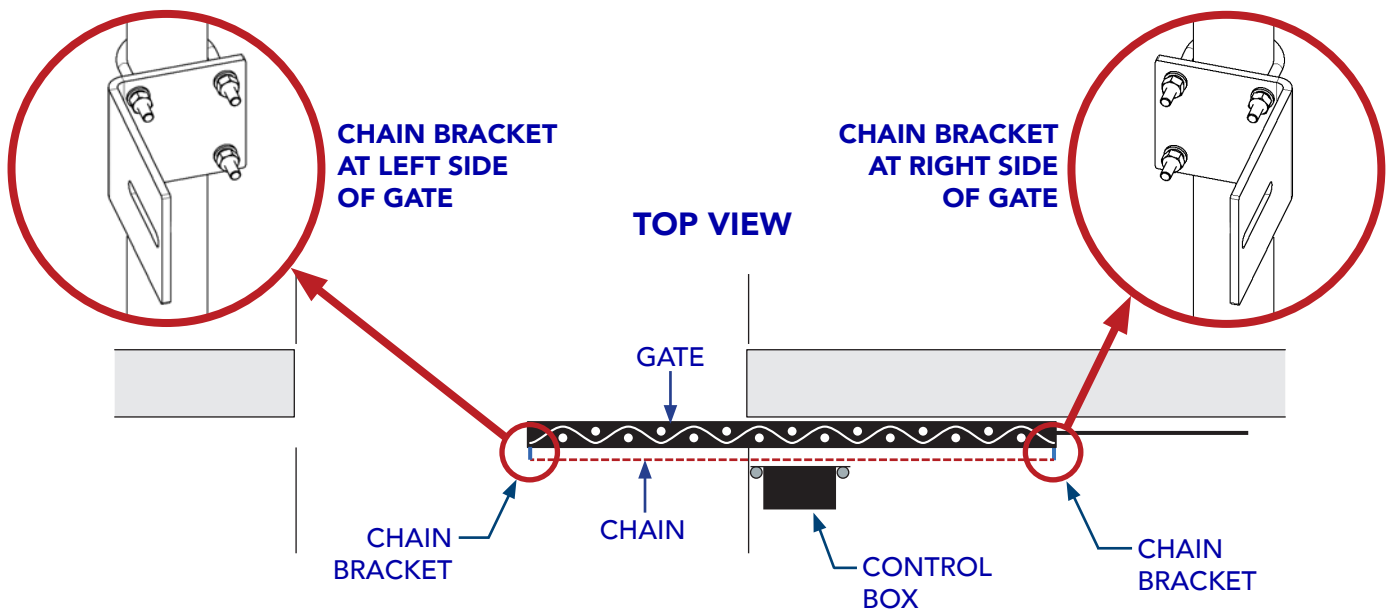


**IMAGE 2A-1: GATE IN CENTER TRAVEL POSITION (PART WAY OPEN)**

2. Mount chain brackets (IMAGE 2A-2) to gate frame at either end of gate (IMAGE 2A-3), either by using the four supplied 2" U-Bolts and hardware or by tack welding in place.



**IMAGE 2A-2: CHAIN BRACKET AND HARDWARE**

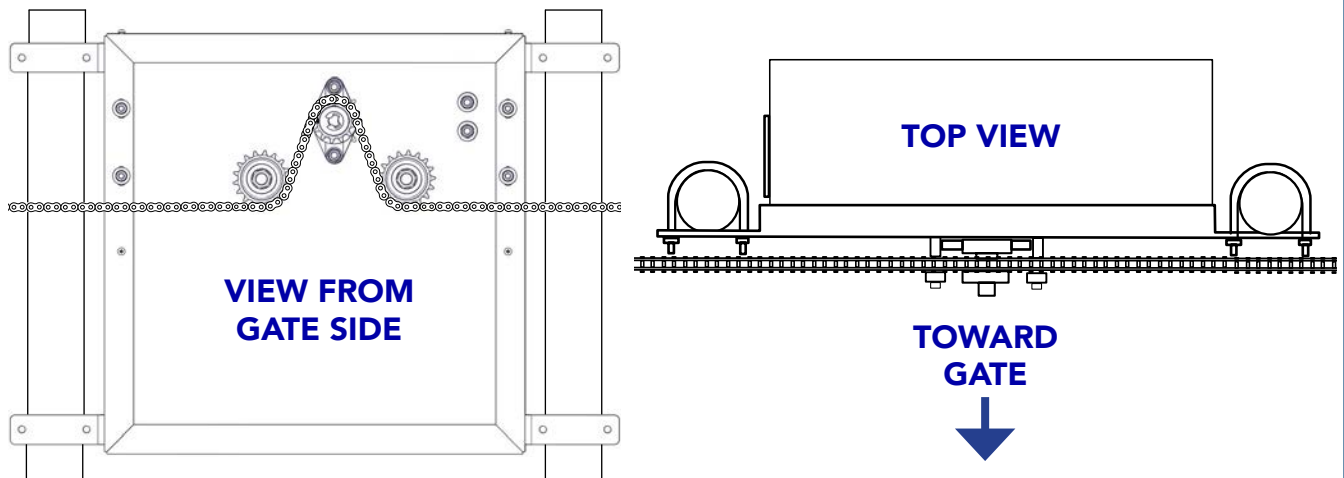


**IMAGE 2A-3: CHAIN BRACKETS INSTALLED ONTO GATE**



### 3A 7251: ROUTE CHAIN AND CONNECT CHAIN BOLT

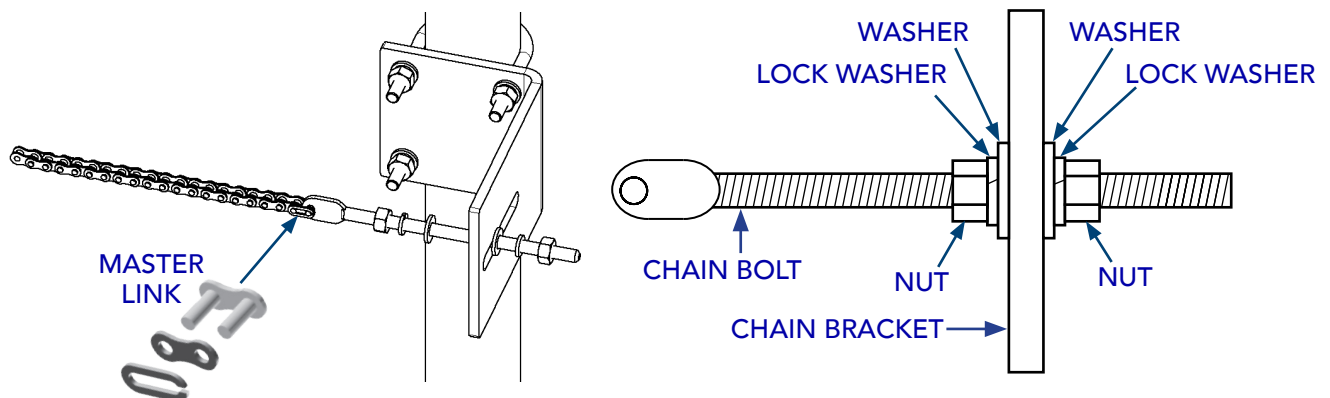
1. Route chain through sprockets as shown in IMAGE 3A-1. Make sure chain is level when attached to the chain brackets. Chain should be aligned with all sprockets.



**IMAGE 3A-1: ROUTING CHAIN THROUGH OPERATOR GEARING**

2. Attach the master link to one end of the chain and a chain bolt, then attach the chain bolt to a chain bracket (IMAGE 3A-2).
3. Determine the required length of chain needed to attach the other chain bolt and still allow adjustment.
4. Using the proper chain breaking tool, cut and remove the excess chain.
5. Attach chain to chain bolt and connect to the second chain bracket.

**NOTE:** Allow 1 inch of sag per 10 feet of chain.

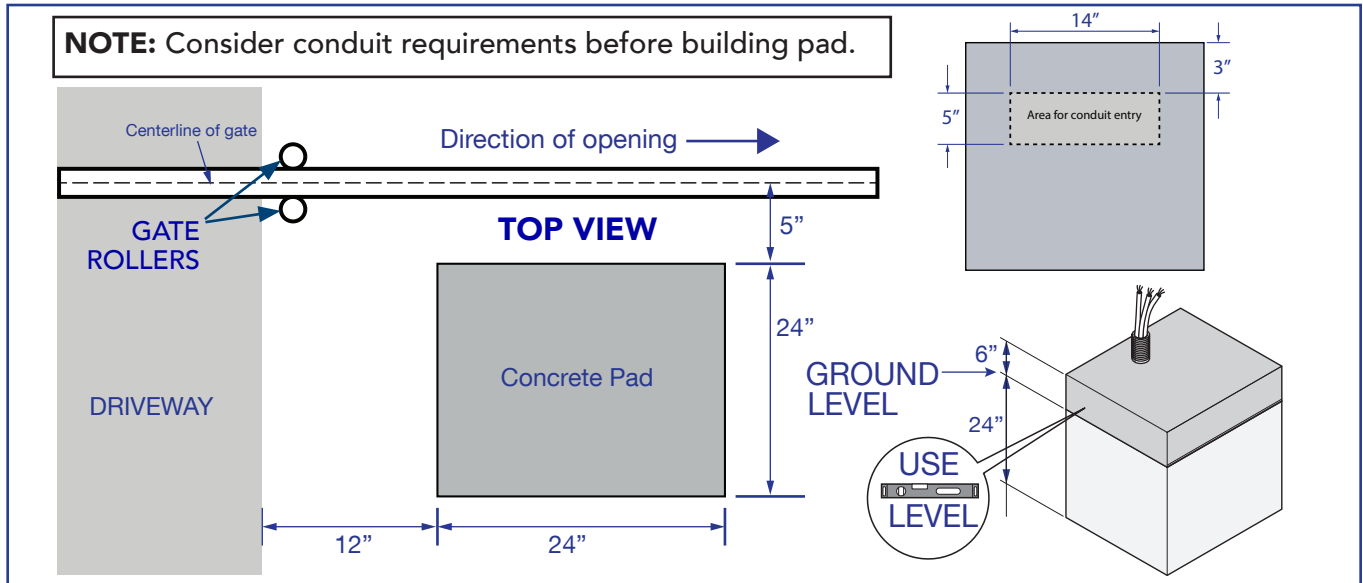


**IMAGE 3A-2: INSTALLING CHAIN BOLT TO CHAIN BRACKETS**

**SECTION 7: 7351 - PAD-MOUNT INSTALLATION**

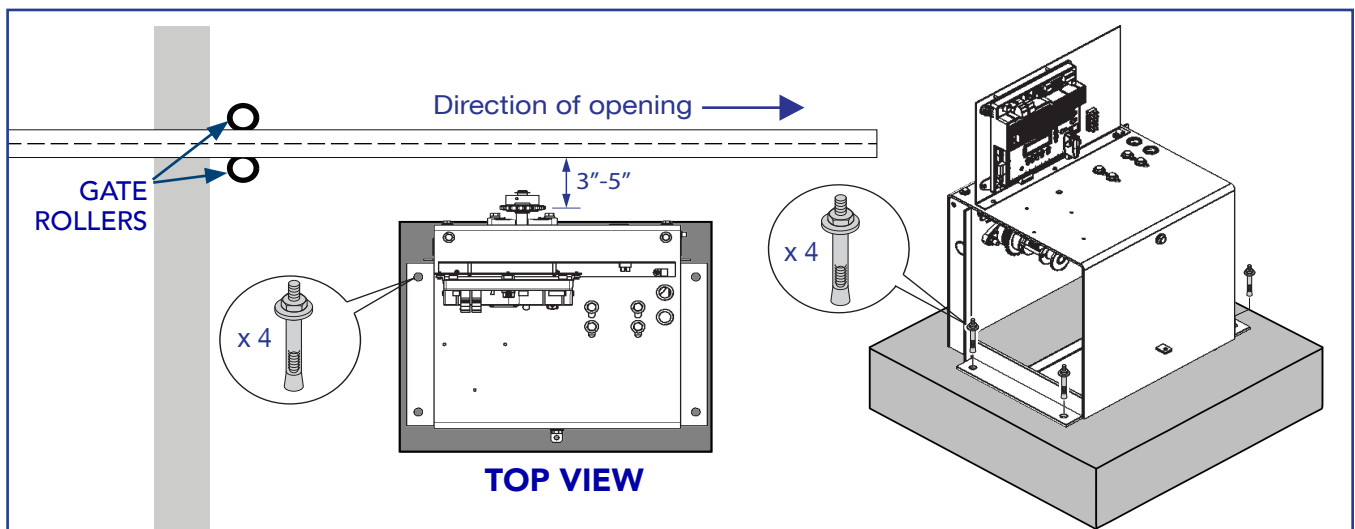
**1B 7351: INSTALL PAD-MOUNT CONTROL BOX**

1. Fabricate a concrete structure sufficient to stabilize and mount the operator. Consult local building codes to build a pad that meets or is sufficient for the soil type and climate and capable of supporting the loads imposed by the operator during operation.



**IMAGE 1B-1: BUILDING THE MOUNTING PAD**

2. Set the operator on the pad and align the sprockets 3" to 5" from the inside surface of the gate.
3. Mark four mounting holes on the pad, remove operator and drill holes (per anchor bolt manufacturers instructions). Replace operator and anchor to the pad using (4) 1/2" anchor bolts as shown.

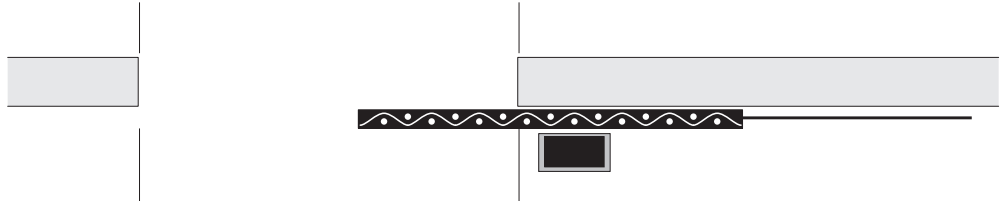


**IMAGE 1B-2: INSTALLING CONTROL BOX ONTO MOUNTING PAD**

**2B**

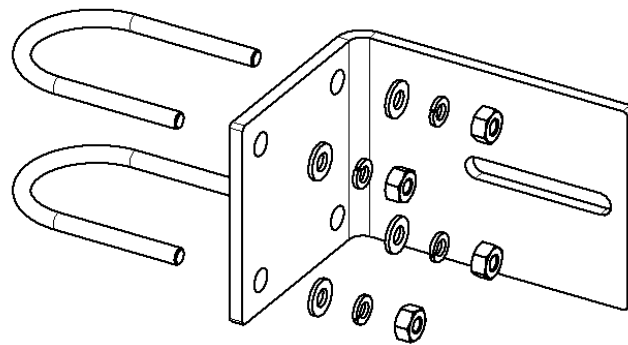
**7351: MOUNT CHAIN BRACKETS TO GATE FRAME**

- Put the gate in the center of travel of the opening (IMAGE 2B-1). The gate should remain in this position while the chain is attached to the operator.

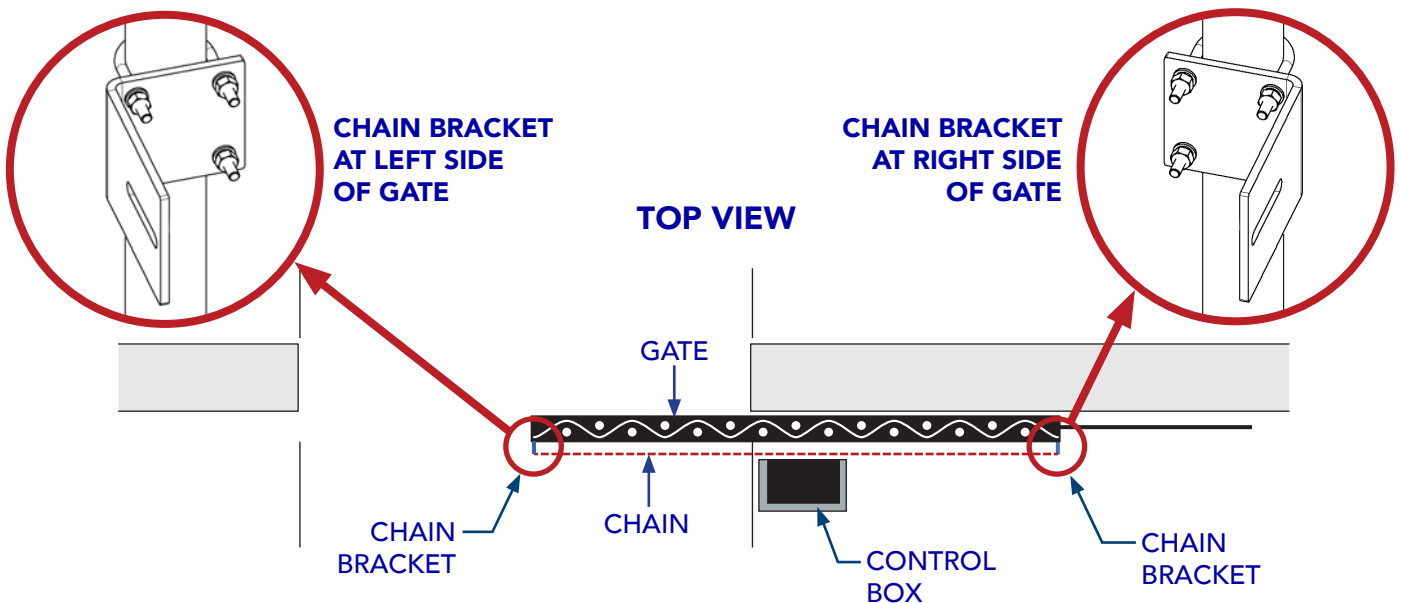


**IMAGE 2B-1: GATE IN CENTER TRAVEL POSITION (PART WAY OPEN)**

- Mount chain brackets (IMAGE 2B-2) to gate frame at either end of gate (IMAGE 2B-3), either by using the four supplied 2" U-Bolts with hardware or by tack welding in place.



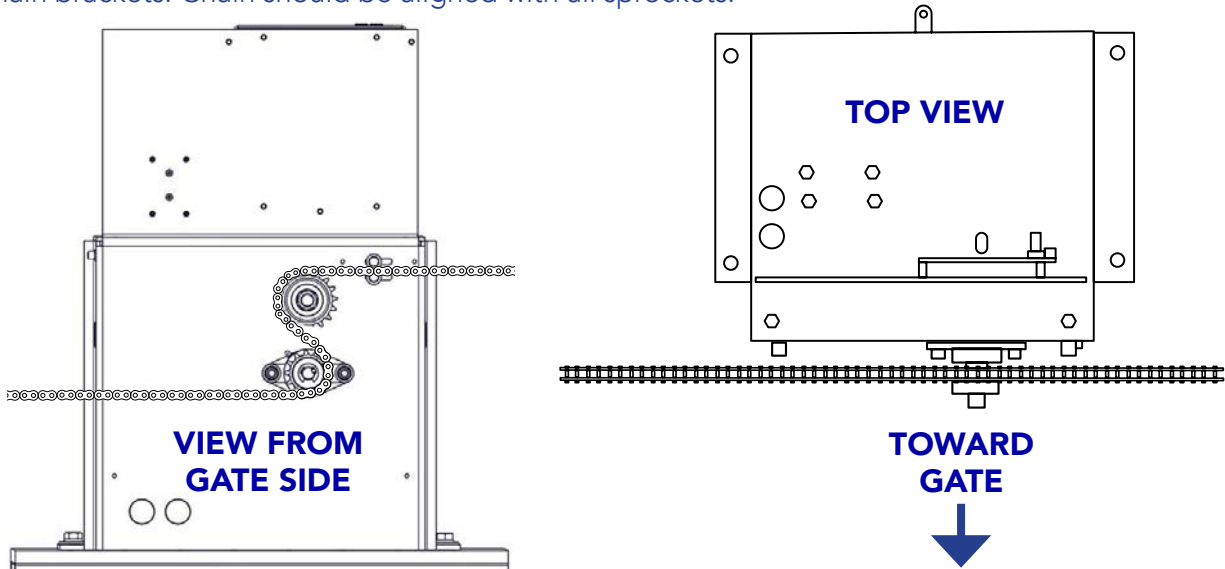
**IMAGE 2B-2: CHAIN BRACKET AND HARDWARE**



**IMAGE 2B-3: CHAIN BRACKETS INSTALLED ONTO GATE**

## 3B 7351: ROUTE CHAIN AND CONNECT CHAIN BOLT

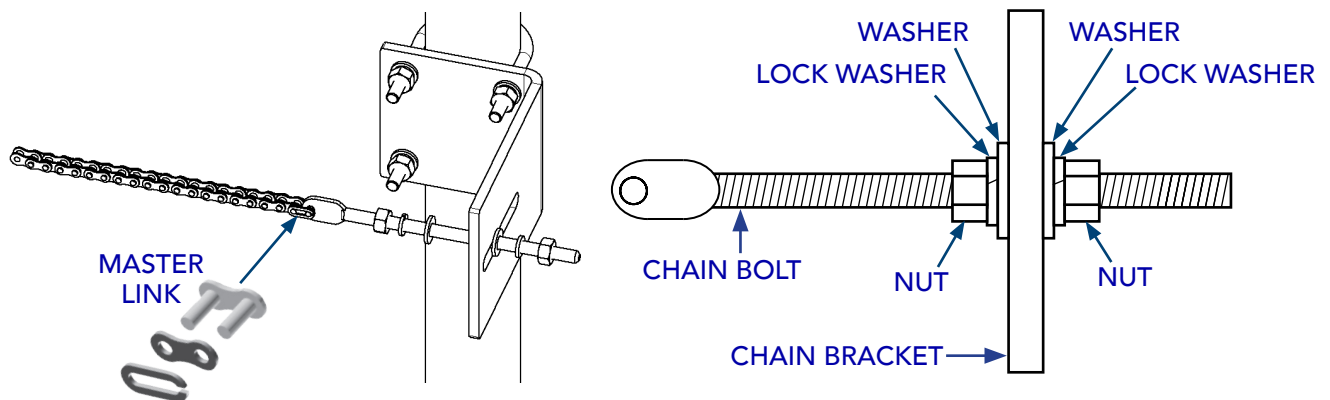
1. Route chain through sprockets as shown in IMAGE 3B-1. Make sure chain is level when attached to the chain brackets. Chain should be aligned with all sprockets.



**IMAGE 3B-1: ROUTING CHAIN THROUGH OPERATOR GEARING**

2. Attach the master link to one end of the chain and a chain bolt, then attach the chain bolt to a chain bracket (IMAGE 3B-2).
3. Determine the required length of chain needed to attach the other chain bolt and still allow adjustment.
4. Using the proper chain breaking tool, cut and remove the excess chain.
5. Attach chain to chain bolt and connect to the second chain bracket.

**NOTE:** Allow 1 inch of sag per 10 feet of chain.

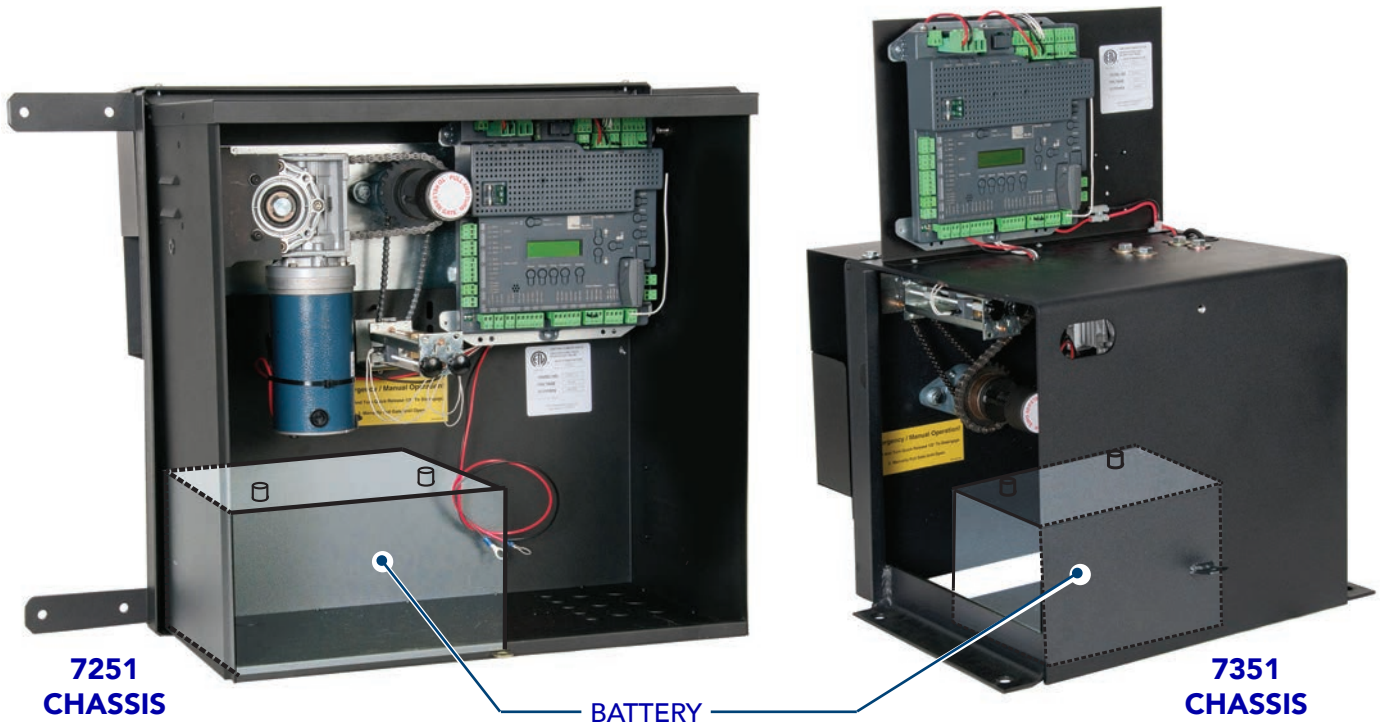


**IMAGE 3B-2: INSTALLING CHAIN BOLT TO CHAIN BRACKETS**

**SECTION 8: CONTROL BOARD & MOTOR WIRING**

**4 MOUNT BATTERY IN CONTROL BOX CHASSIS**

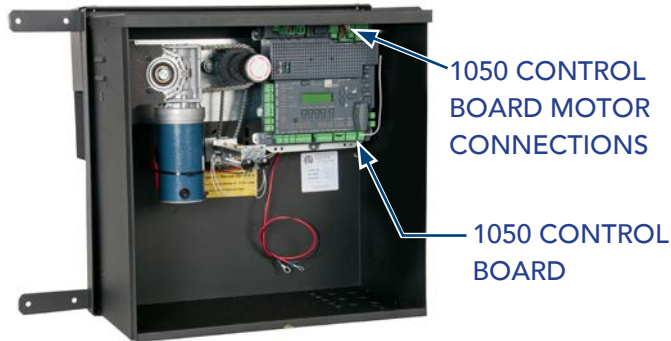
Place battery in the operator chassis as shown below. For 7351, position battery terminals toward opening.



**IMAGE 4-1: BATTERY POSITION IN OPERATOR CHASSIS**



# 5A 7251 - WIRE MOTOR TO CONTROL BOARD



**7251 - LEFT OPENING SINGLE GATE WIRING:**

If gate opens to left (from secure side) refer to IMAGE 5A-1 and ensure 5-pin/3-pin connectors are plugged into the "Motor 1" connectors (IMAGE 5A-1) and wired as shown.

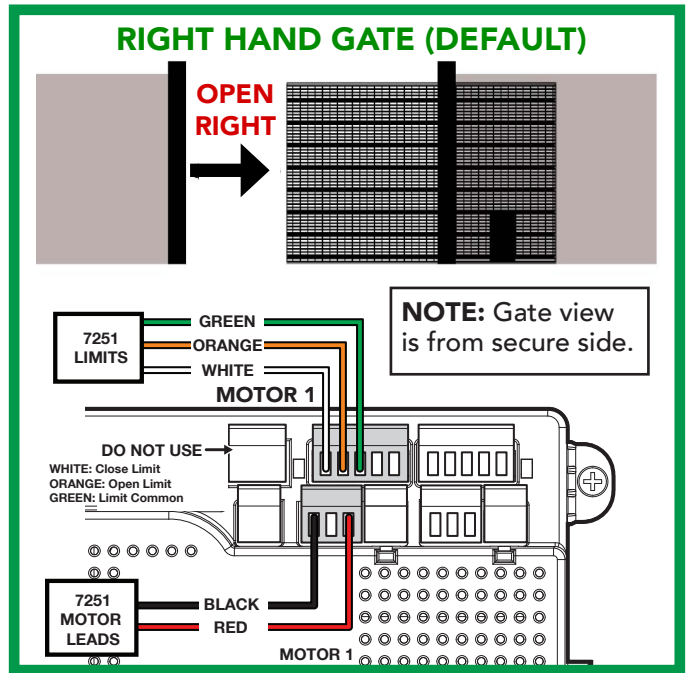
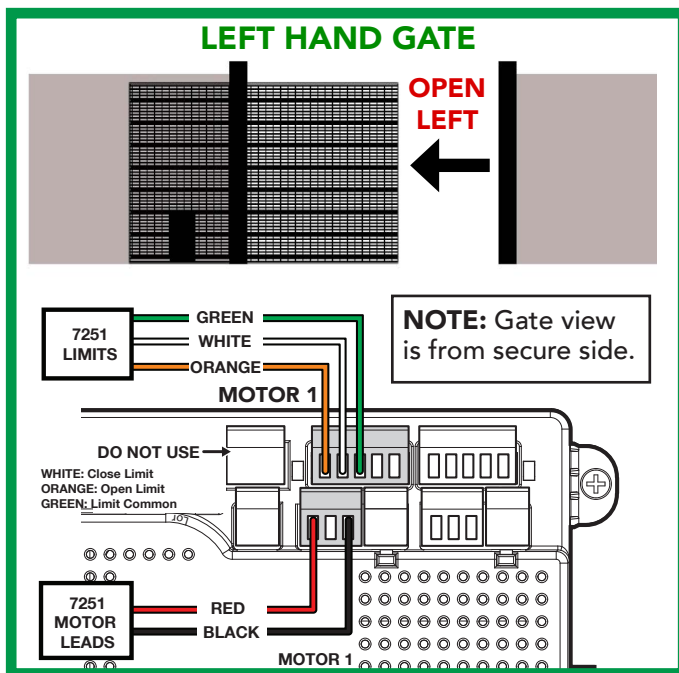
**7251 - RIGHT OPENING SINGLE GATE WIRING (DEFAULT):**

If gate opens to right (from secure side) refer to IMAGE 5A-2, rewire connectors to match illustration, and plug 5-pin/3-pin connectors into the "Motor 1" connectors.

**7251 - DUAL GATE WIRING:**

If dual gate installation, refer to IMAGE 5A-3, rewire connectors to match illustration, then install 5-pin/3-pin connectors for left-hand gate into "Motor 1" connection and the 5-pin/3-pin connectors for right hand gate into "Motor 2" connection.

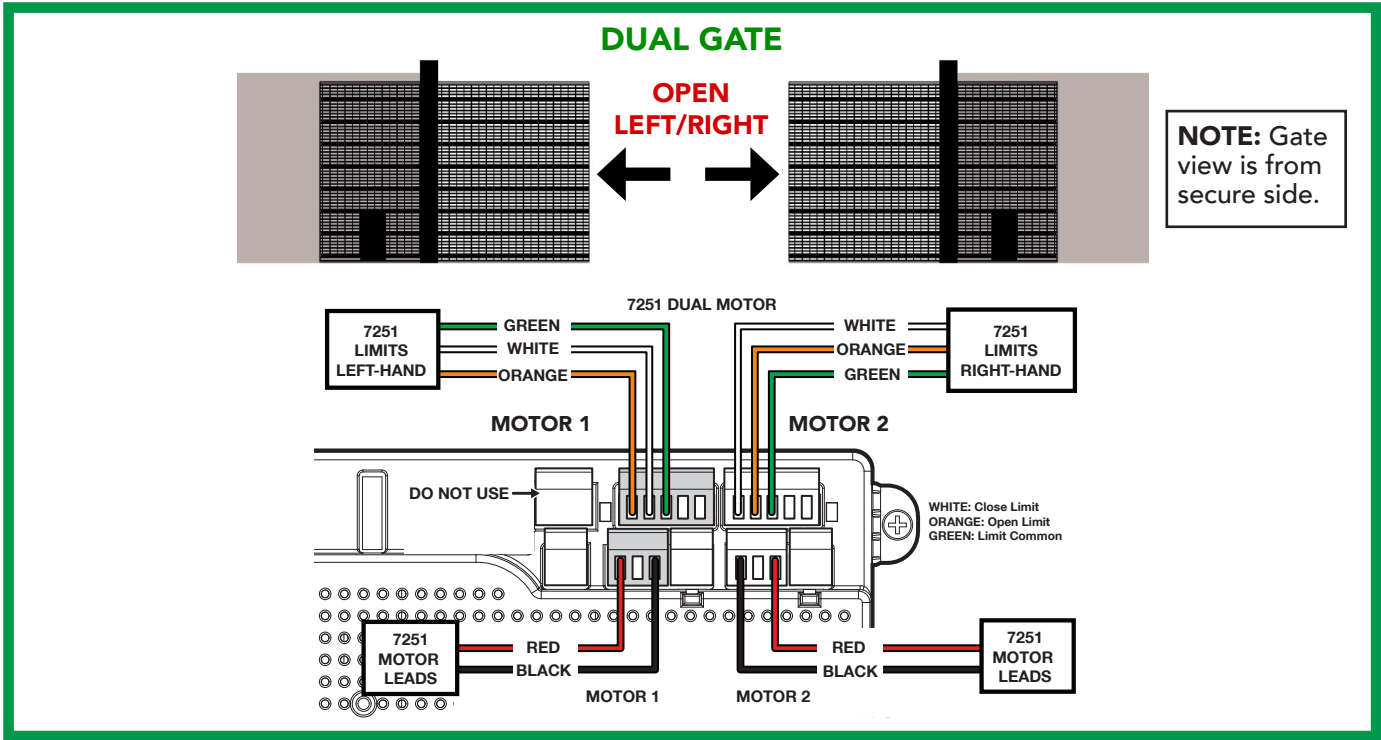
**NOTE:** If a gate moves in opposite direction from what is expected, reverse the motor power lead wiring (red & black wires) for that motor.



**IMAGE 5A-1: LEFT HAND SINGLE GATE WIRING**

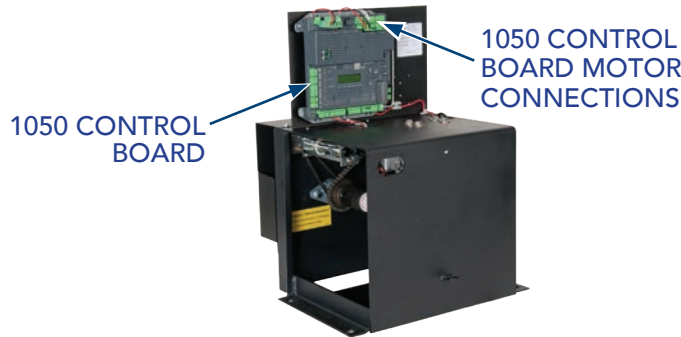
**IMAGE 5A-2: RIGHT HAND SINGLE GATE WIRING**

**5A: 7251 - CONTROL BOARD WIRING (CONT.)**



**IMAGE 5A-3: DUAL GATE WIRING**

# 5B 7351 - WIRE MOTOR TO CONTROL BOARD



**7351 - LEFT OPENING SINGLE GATE WIRING (DEFAULT):**

If gate opens to left (from secure side) refer to IMAGE 5B-1 and ensure 5-pin/3-pin connectors are plugged into the "Motor 1" connectors (IMAGE 5B-1) and wired as shown.

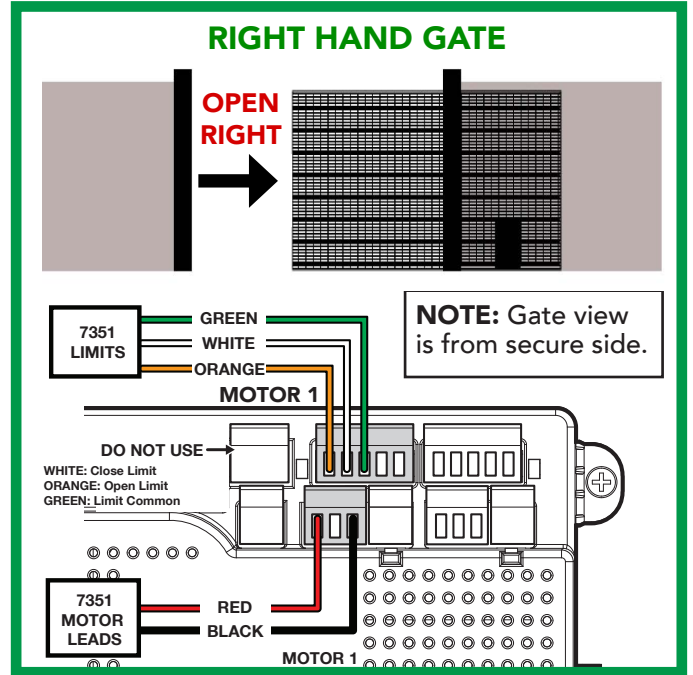
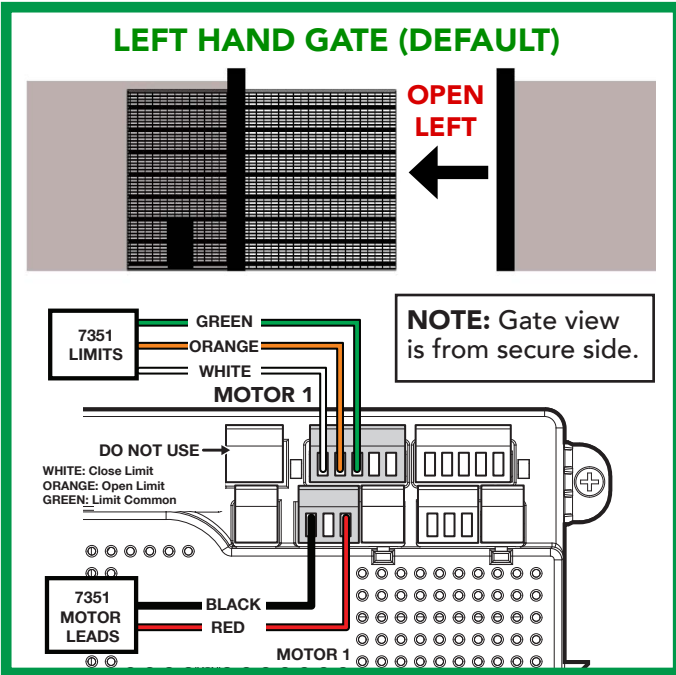
**7351 - RIGHT OPENING SINGLE GATE WIRING:**

If gate opens to right (from secure side) refer to IMAGE 5B-2, rewire connectors to match illustration, and plug 5-pin/3-pin connectors into the "Motor 1" connectors.

**7351 - DUAL GATE WIRING:**

If dual gate installation, refer to IMAGE 5B-3, rewire connectors to match illustration, then install 5-pin/3-pin connectors for left-hand gate into "Motor 1" connection and the 5-pin/3-pin connectors for right hand gate into "Motor 2" connection.

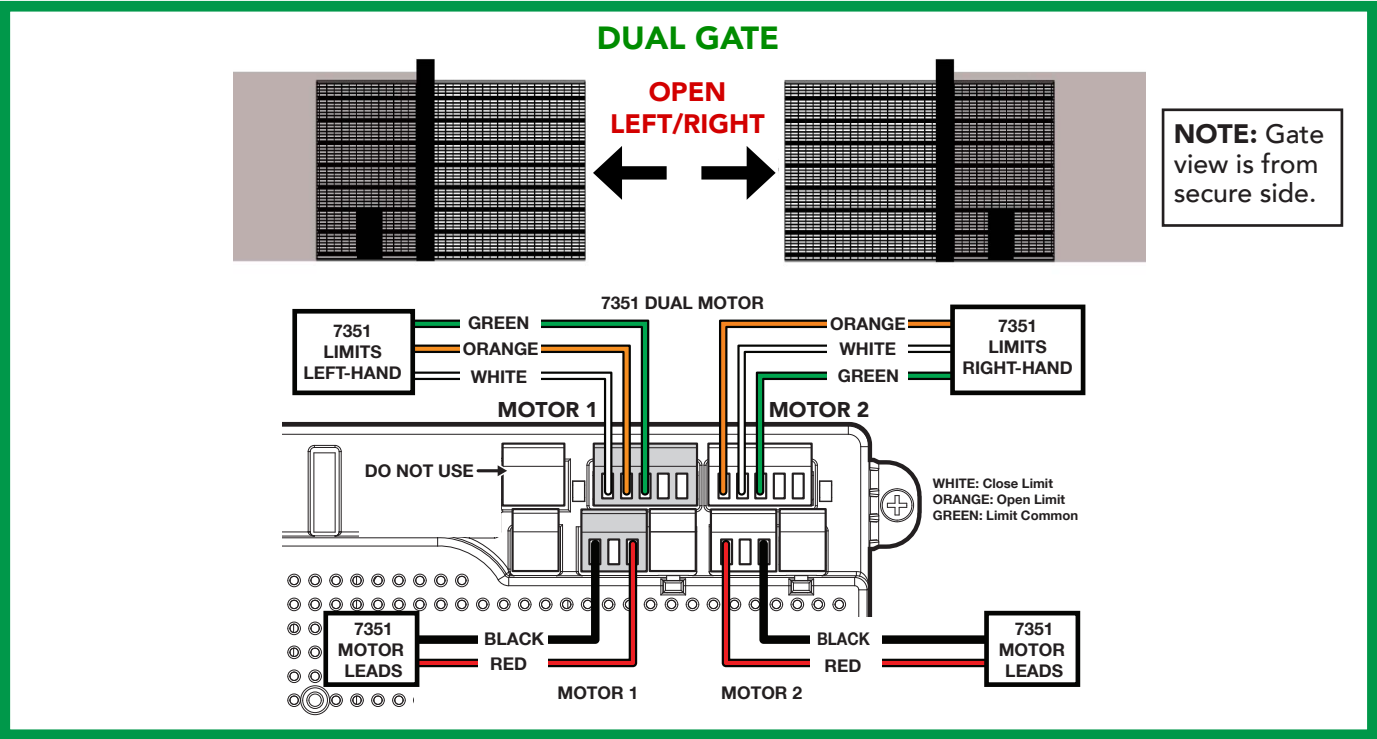
**NOTE:** If a gate moves in opposite direction from what is expected, reverse the motor power lead wiring (red & black wires) for that motor.



**IMAGE 5B-1: LEFT HAND SINGLE GATE WIRING**

**IMAGE 5B-2: RIGHT HAND SINGLE GATE WIRING**

**5B: 7351 - CONTROL BOARD WIRING (CONT.)**



**IMAGE 5-3B: DUAL GATE WIRING**

## SECTION 9: BLUE BUS PHOTO EYE INSTALLATION

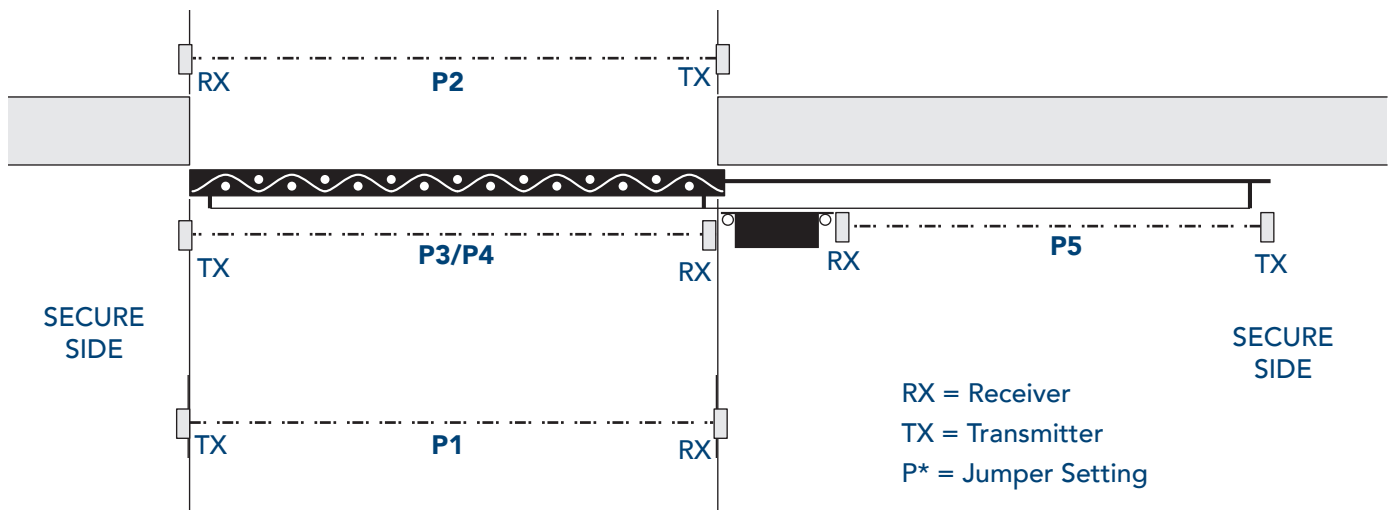
### 6

### DETERMINE BLUEBUS PHOTO EYE LOCATIONS

See below for suggestions of photo eye positioning for your gate configuration.

**NOTE:**

Name designations in IMAGE 6-1 (P1, P2, etc.) are arbitrary designations used to indicate jumper settings for each photo eye location. See INSTRUCTION 7 for jumper settings.



**IMAGE 6-1: POSSIBLE ENTRAPMENT ZONES AND PHOTO EYE LOCATIONS**

**NOTE:** Other Entrapment zones may exist and must be protected.

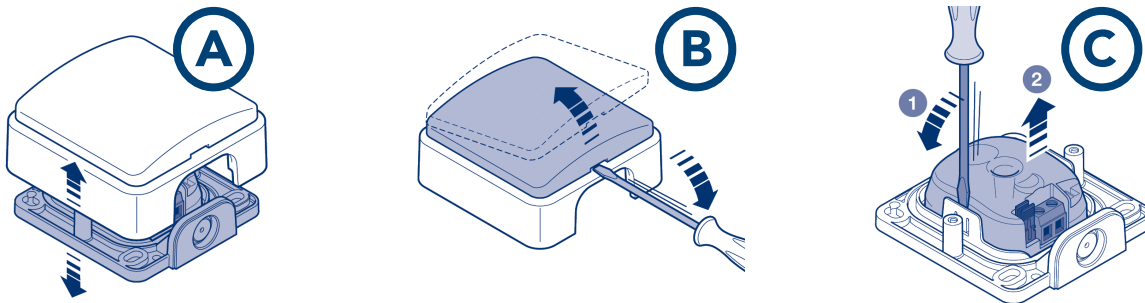


**IMPORTANT!**

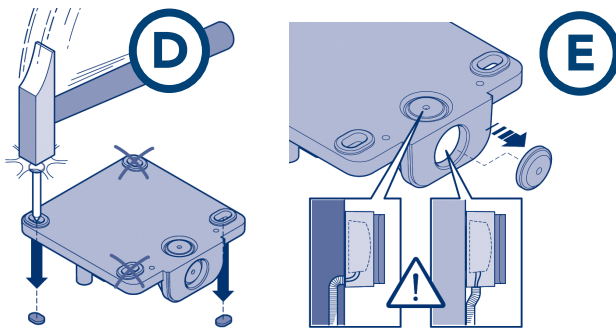
The 1050 control board will not operate without at least two monitored and functioning safety devices connected to the control board. Before power is connected to the control board, install either the BlueBUS through-beam photo eyes per the instructions below, an alternative photo eye, such as a reflective photo eye (per manufacturers instructions), or both, before attempting to apply power to the control board.

**7 PREPARE BLUEBUS PHOTO EYES FOR INSTALL**

1. Remove top cover (A) and faceplate (B), then use screwdriver to remove inner assembly from bracket (C).



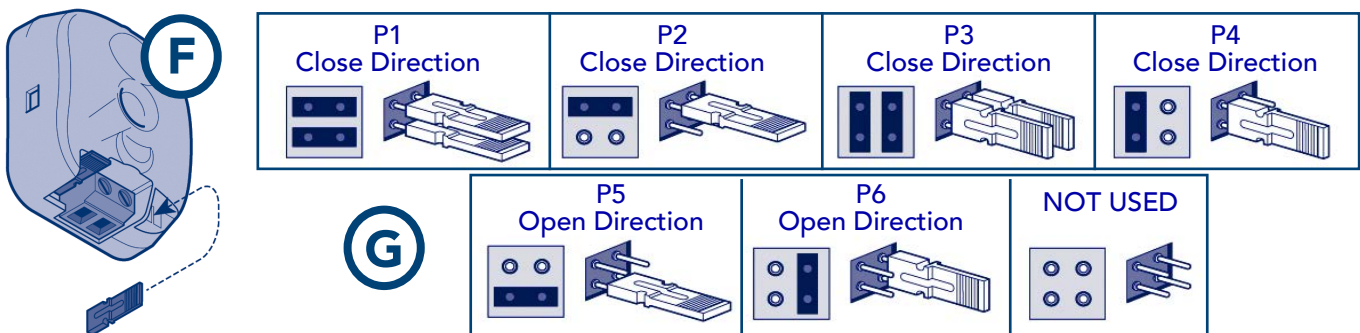
2. Knock out the four plastic tabs from mounting holes (D), then remove appropriate tab from wire entry hole (E); knock out rear tab for running wire inside the mounting wall OR knock out bottom tab for running wires out the bottom.



**NOTE:** Each pair of photo eyes wired to the same gate operator must use a different jumper configuration (six maximum). Photo eye jumper settings perform as follows (refer to IMAGE 6-1 and G, below):

- P1/P2 = Hold gate open - reverse gate if closing.
- P3/P4 = Hold gate open - stops gate if closing and reverses back open when eye is cleared.
- P5/P6 = Keep gate from opening - reverse gate back closed.

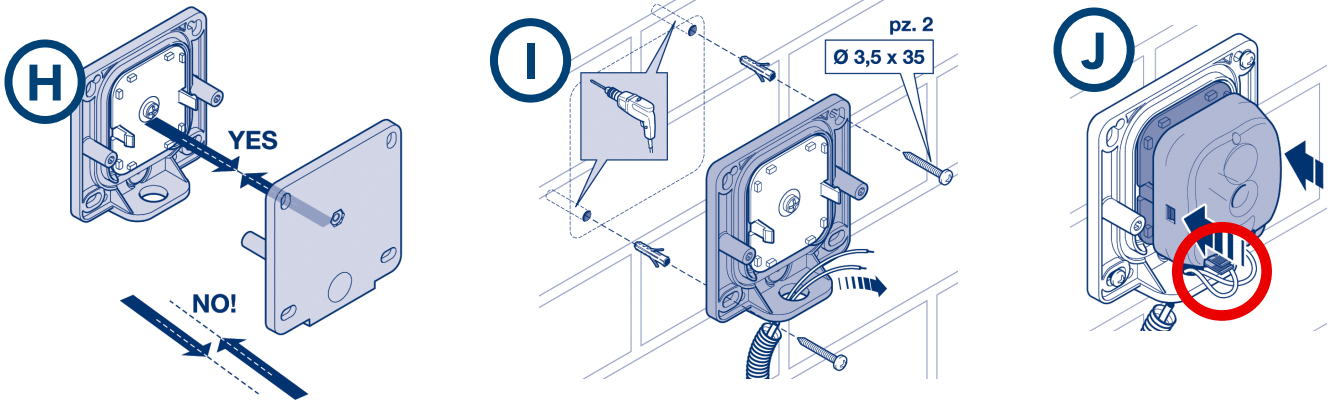
3. If more than one pair of photo eyes, configure jumpers so that each pair has a unique jumper setting (six maximum). Stow unused jumpers in slots on photo eye rear (F). See note above.



# 8

## INSTALL & WIRE BLUEBUS PHOTO EYES

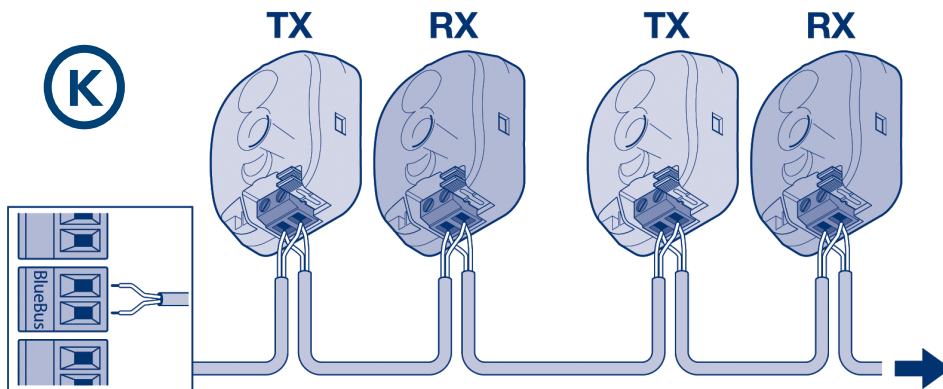
1. Ensure alignment between receiver and transmitter brackets (H), then affix both to selected locations with included screws (I).



### IMPORTANT!

If using the model EPMB/A non-adjustable photo eye (H), ensure the mounting surfaces for both devices are parallel with each other to ensure accurate alignment between TX and RX.

2. Thread 2-conductor jacketed cable through bracket hole and snap photo eye assembly (J) into bracket.
3. Install wires into screw terminals (J, red circle) in parallel as shown (K). No polarity required.



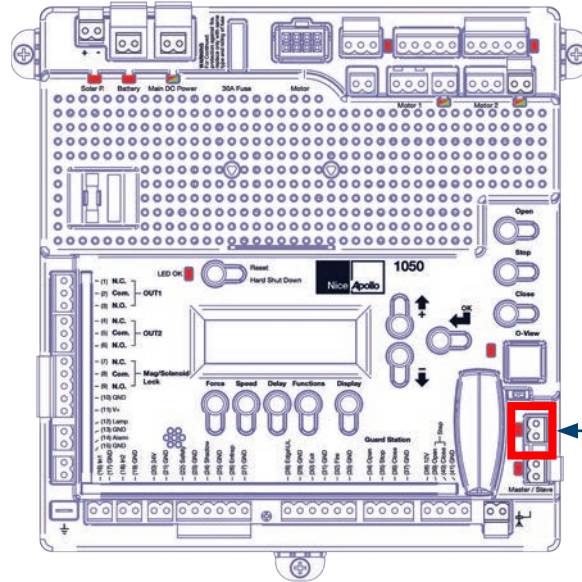
### NOTES:

Maximum total length of wire should not exceed 165 feet (50 meters).

When replacing photo eyes, jumper setting on the new device must match the old device to avoid the control board from having to re-learn the BlueBUS configuration.

# 9 CONNECT BLUEBUS PHOTO EYES TO BOARD

Install through beam photo eye bus wires (no polarity) into 2-pin BlueBUS connector on control board (IMAGE 9-1). If an alternative photo eye is used, follow installation instructions included with it.



**IMPORTANT!**  
 Do not attempt to jumper or short the BlueBUS connector pins as this will damage the control board.

BLUEBUS CONNECTOR

**IMAGE 9-1: BLUEBUS CONNECTOR LOCATION**

# 10 ATTACH WARNING SIGNS TO GATE

1. Place one warning sign (IMAGE 10-1) on outside of gate and the other inside of gate in high visibility locations (eye height) to warn of entrapment dangers. If signs cannot be attached to gate, ensure they are as visible as possible to pedestrians and anyone operating the gate.
2. Use two tie wraps per sign, or alternative means, to securely affix signs to gate.

**IMAGE 10-1: GATE ENTRAPMENT WARNING SIGN**



## SECTION 10: POWER OPTIONS AND WIRING


There are four possible configurations available to power the 1050 control board:

- 12 VDC battery charged by solar panel
- 12 VDC battery charged by AC-DC charger applied to battery
- 12 VDC battery charged by 10-35 VDC from Main DC Power input
- 10-35 VDC from AC-to-DC power supply to Main DC Power input (no battery)


## SECTION 11: 120VAC ELECTRICAL WIRING SAFETY

The 1050 control board operates ONLY on DC power from the battery or from the Main DC Power input. Follow all safety warnings if installing AC power for conversion to DC for charging purposes or for powering the board. Nice offers optional charging solutions.


**CAUTION!**  
DO NOT WIRE AC POWER TO THE CONTROL BOARD! THE CONTROL BOARD OPERATES ON DC VOLTAGES ONLY!



**DANGER!**  
TO REDUCE THE RISK OF SEVERE INJURY AND DEATH FOLLOW ALL SAFETY PROCEDURES!



**DANGER!**  
DO NOT WIRE AC MAINS POWER TO METAL CONTROL BOX WITHOUT EARTH GROUND CONNECTION!

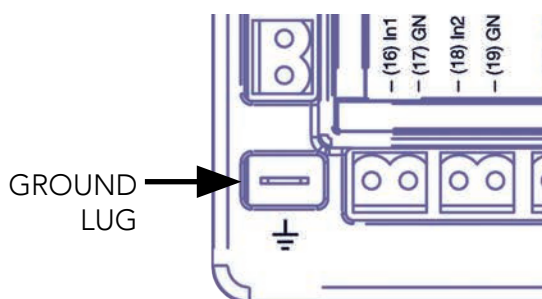


- Disconnect power to the gate operator by manually opening its dedicated circuit breaker before making any mechanical or electrical adjustments.
- Use a 20 amp dedicated circuit breaker for each installed gate operator.
- Open dedicated circuit breaker supplying power to gate operator before a new installation or making any modifications to an existing installation of this gate operator.
- All wiring connections must be made by a qualified individual.
- Run individual circuits in separate U.L. Listed conduits. Do not combine high voltage (120vac) power wiring and low voltage (+12vdc to +24vdc) control wiring in the same conduits.

**IF AC POWER IS BEING RUN INTO THE CONTROL BOX FOR CONVERSION TO DC, THE GATE OPERATOR SYSTEM SHOULD BE GROUNDED THROUGH THE EARTH GROUND IN THE AC MAINS WIRING SYSTEM (GREEN WIRE).** This ground connection will prevent dangerous currents from appearing on the metal control box, the actuator, or the gate itself.

Nice recommends an 8 foot copper rod driven all the way into the ground with a copper clamp and 12ga copper wire minimum.

Connect ground wire to the grounding lug on the lower left corner of the 1050 control board (FIGURE 11-1). Alternatively, bonding of the control box can be done by drilling a hole in the control box, removing the powder coating around the hole, and bonding the copper ground wire to that area with a bolt.



**FIGURE 11-1: 1050 CONTROL BOARD GROUND LOCATION**

**IMPORTANT!**

Power should not be applied to the control board until after the photo eyes have been installed and wired to the control board. Power is applied in INSTRUCTIONS 12, 13, and/or 14.

**11.1 HIGH VOLTAGE WIRE GAUGE REQUIREMENTS**

Use Table below to determine high voltage wire size requirements. Distance shown in the chart is measured from the operator to the power source. If power wiring is greater than the maximum distance shown, a service feeder is recommended. When large gauge wire is used, a separate junction box must be installed for the operator connection.

Wire table is based on stranded copper wire. Wire run calculations are based on a 110 VAC power source with a 3% voltage drop on the power line, plus an additional 10% reduction in distance to allow for other electrical losses in the system.

<b>TABLE 11-1: MAXIMUM RUN PER WIRE GAUGE</b>						
<b>110V/AWG GAUGE</b>	14	12	10	8	6	4
<b>MAX RUN</b>	180 FT (54.8m)	280 FT (85.3m)	460 FT (140m)	700 FT (213.3m)	1150 FT (350.5m)	1800 FT (548.6m)

**11 CONNECT BATTERY CABLES TO BATTERY**

1. Locate the two battery leads (red & black with with battery lugs) inside unit (IMAGE 11-1).
2. Attach lugs of the battery cable to the battery terminals; black to negative (-) and red to positive (+) terminals.



**IMAGE 11-1: BATTERY CABLES**

**NOTE:** LED below the terminal will glow red if battery is mis-wired.



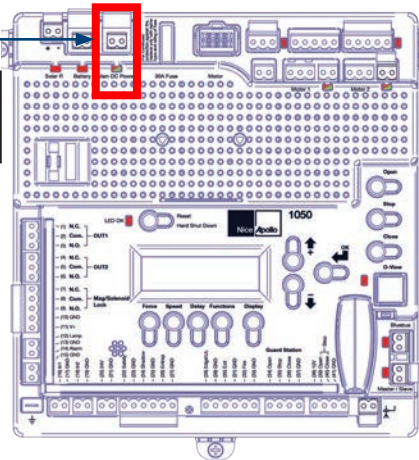
# 12 MAIN DC POWER - INPUT CONNECTIONS

MAIN DC POWER INPUT CONNECTOR

**NOTE:** This input should only used with a 10-35 VDC power supply. However, a battery is recommended as a backup.

1. To wire Main DC Power panel connector, remove it from board for wiring (IMAGE 13-1).
2. Strip wires from power supply back 3/8"-7/16" (10-11mm), twist, and install into the connector screw terminals (positive to +, negative to -), then plug back into board. (IMAGE 13-1).

**IMAGE 13-1: MAIN DC POWER INPUT CONNECTOR**



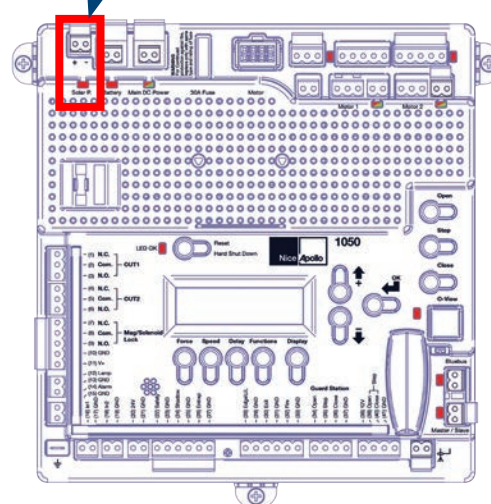
**NOTE:** LED below the terminal will glow red if mis-wired, and glow green if wired correctly.

# 13A SOLAR PANEL CONNECTION - 10W TO 20W

A 20 Watt, or smaller, solar panel may be installed to enable battery charging through the 1050 control board's integral regulator/conditioner as follows:

1. Assemble solar panel mounting bracket and panel with included hardware.
2. Locate solar panel out of shadows of surrounding buildings, walls, etc. and orient to collect the maximum sunlight energy throughout the year. In the northern hemisphere, mount panels at upward angle of about 45 degrees with panel oriented south. In the southern hemisphere orient the panel to face north.
3. Cut off two battery lugs from the end of the solar panel cable.
4. Strip wires back 1/4"-5/16" (7-8mm), twist, and install into the solar panel connector screw terminals on the control board (RED = +, BLACK = -). See IMAGE 14A-1.

SOLAR PANEL INPUT CONNECTOR



**IMAGE 14-1: SOLAR CONNECTORS**

**NOTES:** Turn ON Standby Mode if using only solar power to charge battery. If solar panel is wired backwards, a red LED will illuminate above the connector. For 30W solar panels and above, an external regulator must be used. Nice offers a regulator (P/N SG-4) for this purpose. See INSTRUCTION 14B for installation instructions for the SG-4 regulator.



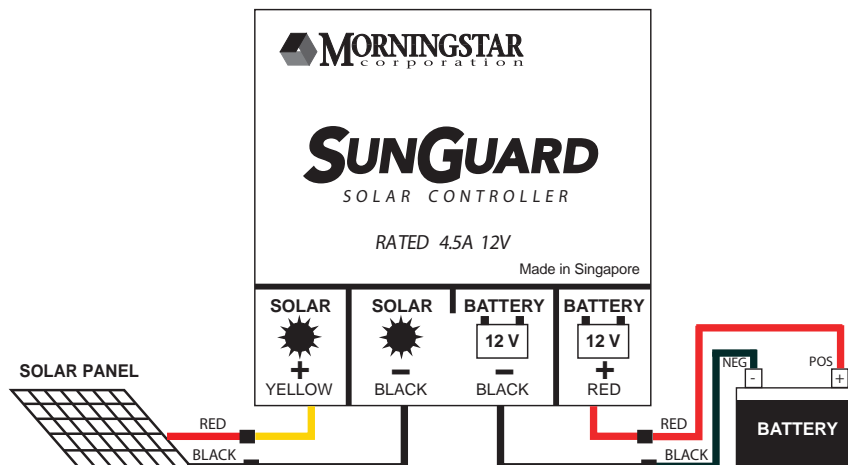
# 13B SOLAR PANEL CONNECTION - 30W AND ABOVE

Solar panels of 30W and above must be connected to an outboard regulator which, in turn, then connects to the battery to enable battery charging. Nice offers a regulator (P/N SG-4) for this purpose. For regulators sourced elsewhere, follow the manufacturers instructions when installing. Install and wire the 30W and above solar panels and SG-4 regulator as follows:

1. Assemble solar panel mounting bracket and panel with included hardware.
2. Locate solar panel out of shadows of surrounding buildings, walls, etc. and orient to collect the maximum sunlight energy throughout the year. In the northern hemisphere, mount panels at upward angle of about 45 degrees with panel oriented south. In the southern hemisphere orient the panel to face north.
3. Drill two holes into a vertical surface in the CBOX chassis matching the two mounting tabs on the regulator. Mount the SG-4 with appropriate hardware to fix it in place.
4. Connect the red wire of solar panel to the yellow wire of the regulator and the black wire of solar panel to either of the regulator's black wires (see IMAGE 14B-1).
5. Connect the red (positive) battery wire (see notes above) to the red wire of the battery regulator and the black battery wire (negative) to the other black wire on the regulator, then attach both battery lugs to the battery (red to positive and black to negative). See IMAGE 14B-1).

**NOTES:**

- Wire-to-wire connections may be made using wire nuts, crimp caps, or butt connectors, as long as the connections are secure.
- It is permissible to cut off 8" to 10" (or so) of the solar panel wires (with battery lugs) in order to use for attaching the regulator to the battery.
- The SG-4 prevents reverse current leakage at night, so a blocking diode is not required in the system.
- A negative earth ground at the battery is recommended for most effective lightning protection.
- The SG-4 can be mounted outdoors, but do not expose to ambient temperatures above 140°F (60°C).
- Ensure that water is able drain from inside the case if it becomes wet.



**IMAGE 14B-1: P/N SG-4 SOLAR PANEL REGULATOR WIRING**

## 14 POWER UP CONTROL BOARD

After performing all necessary power connections per the instructions, the control board will power up as follows:

1. The display will show:
  - a) the company name, followed by...
  - b) the firmware version, then...
  - c) "Scanning BlueBUS" as the control board is scanning for compliant safety devices.
2. If safety devices (such as photo eyes) are found and determined to be functional, then display defaults the current gate status (Open or Close) indicating the board is ready to "Learn" the gate limits and you may proceed to INSTRUCTION 16.
3. If no safety devices are attached or functioning, display will show "BlueBUS Error".
4. If using the BlueBUS photo eyes when error is displayed, check for BlueBUS wiring errors and/or observe diagnostic LEDs per INSTRUCTION 18 to determine problem. If using the reflective photo eye with reflector, refer to the separate instructions included in the kit for troubleshooting instructions.
5. To reset the board after a scanning error (BlueBUS Error), remove power from the board (unplug battery, Main DC Input, and solar connector) then after a few seconds reapply power (plug power connectors back in).
6. Board will display "Scanning BlueBUS" while it scans for monitored safety devices.
7. If safety devices (such as photo eyes) are found and determined to be functional, then display defaults to the current gate status (Open or Close) indicating the board is ready to 'learn" the gate limits, and you may proceed to INSTRUCTION 16.
8. If safety devices provided in the kit are determined to be defective, contact Nice technical support.

**15****SELECT CONTROL BOARD STANDBY MODE****IMPORTANT!**

For SOLAR APPLICATIONS - Turn the Standby Mode ON.

STANDBY MODE puts the board into a "Low Power Consumption Standby Mode". Press any button to "wake" the board. Select ON or OFF as follows:

1. Press FUNCTION button.
2. Scroll to "Standby" menu (8th menu).
3. Press OK.
4. Use UP and DOWN buttons to select desired amount of time before system enters "Standby Mode". 20-30 seconds is the recommended setting.
5. Press OK.
6. Once this is done, the operator will enter a Standby Mode after the set time when the operator is not moving, it is either in the auto-close countdown or is being held open by an external auxiliary input.

**NOTES:**

When display is OFF In Standby Mode only a "heartbeat" will be present at the OK LED.

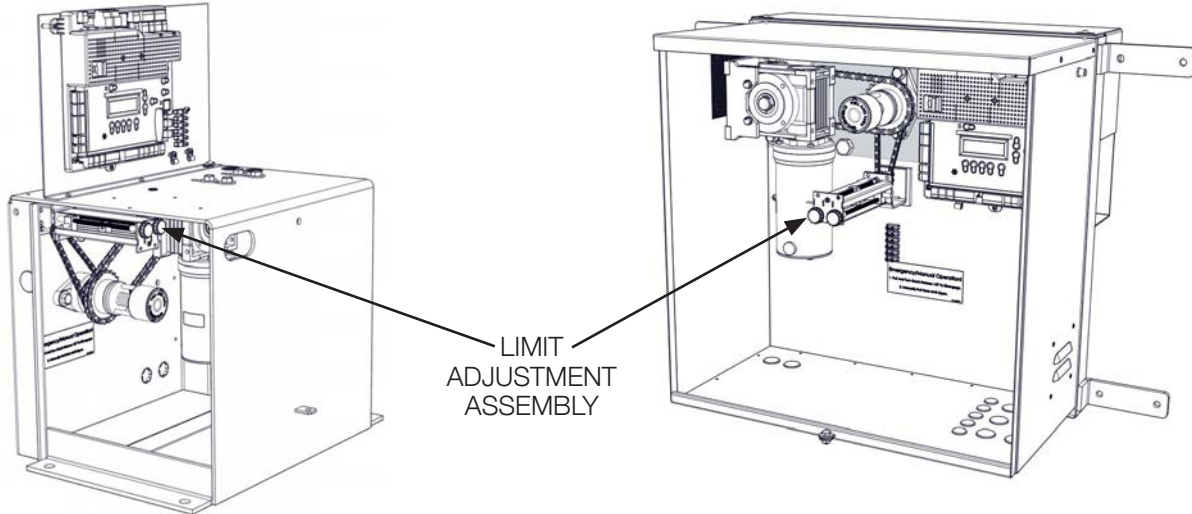
Voltage at terminal #20 (24 volts) and terminal #38 (12 volts) will turn off - do not power entry or exit devices from this output.

BlueBUS function is disabled until board "wakes" up. Press any button to wake.

## SECTION 12: ADJUSTING GATE OPEN/CLOSE LIMITS

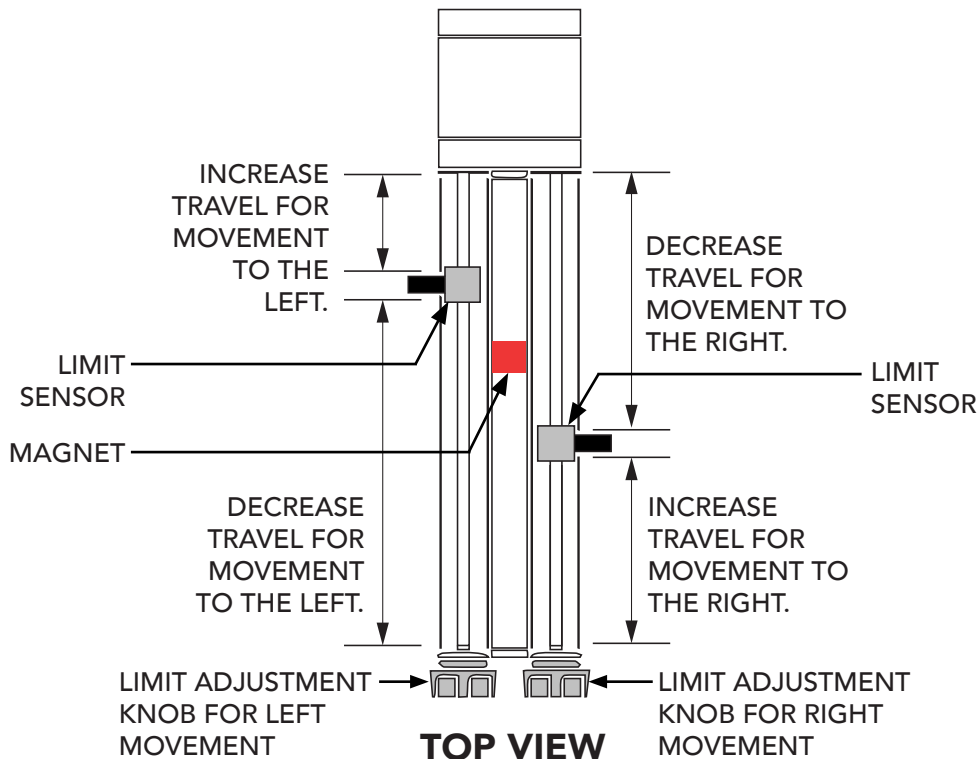
**NOTE:** Until the control board has “LEARNED” the open/close limits, the OPEN and CLOSE buttons must be pressed and HELD DOWN to operate the gate(s). Once limits are learned by the control board, it will take only a single press (and release) to fully open or close the gate.

The limit assembly is located inside the control box between the circuit board and motor assembly (IMAGES 17-1 & 17-2). The limit assembly works by moving magnet along a rail as the gate opens or closes (IMAGE 17-3). The position of a magnet sensor determines when the OPEN or CLOSE LEDs will light up and stop the gate motor at either the chosen close or open limit.



**IMAGE 17-1:** 7351 LIMIT ASSEMBLY LOCATION

**IMAGE 17-2:** 7251 LIMIT ASSEMBLY LOCATION

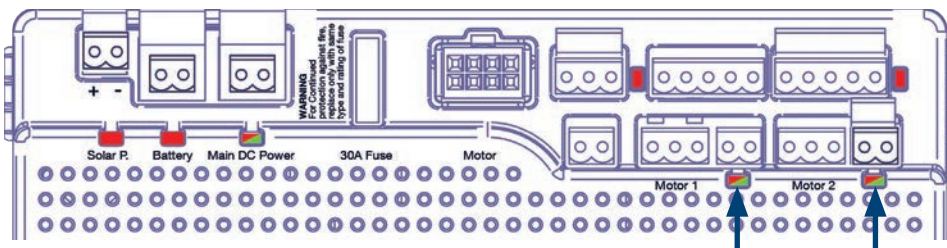


**IMAGE 17-3:** 7351 LIMIT ASSEMBLY FUNCTIONS

# 16 GATE LIMIT LEARNING PROCEDURE

1. Control board should be powered. If not, apply power per INSTRUCTION 12, 13, and/or 14.
2. If a dual gate system, ensure ONLY ONE of the motor harnesses is connected at a time and ONLY to the MOTOR 1 connectors.
3. The control board is already in the "LEARN MODE" when shipped. You are in LEARN MODE if the word "ENTER" is flashing below "LEARN" in the control board display. If the board is not in "LEARN MODE":
  - a) Press the FUNCTION button to access the LEARN option, and press OK button.
  - b) Use UP and DOWN buttons to select gate type (slide or swing) and press OK button.
  - c) Use UP and DOWN buttons to select gate weight (light, medium, or heavy; see table at right), then press OK button. Display should show a flashing "ENTER".
4. Press OPEN or CLOSE buttons on the control board to ensure gate opens and closes in the desired direction. If gate opens in the opposite direction as expected, reverse red and black motor leads in the actuator wiring.
5. Press and hold down OPEN and CLOSE buttons on board to check that limit LED lights RED when gate reaches the close position, and GREEN when gate reaches open position (IMAGE 17-4). Note that if limit LED lights up with wrong color at gate limit, reverse the orange and white limit leads in the actuator wiring

GATE WEIGHT TABLE	
Light	Results in quicker acceleration/ deceleration, lower (more sensitive) FORCE settings, and higher SLOWDOWN speed.
Medium	Recommended for best reliability and functionality on all gate sizes and weights.
Heavy	Results in slower acceleration/ deceleration, higher (less sensitive) FORCE settings, and lower SLOWDOWN speeds.



**IMAGE 17-4: OPEN/CLOSE LIMIT LEDs**

MOTOR 1 LIMIT LED    MOTOR 2 LIMIT LED

**IMPORTANT!** In a dual gate systems, only one actuator harness should be connected at a time to the control board at this point. **Do NOT OK the LEARN function until reaching Step 13.**

(Continued)

## 16: GATE LIMIT LEARNING PROCEDURE (CONT.)

(Continued)

6. Push and hold the OPEN button on Control Board until gate reaches the fully intended open position.

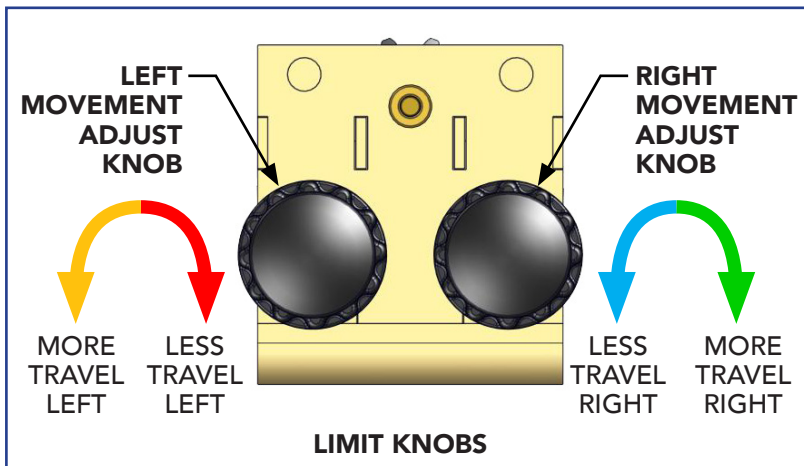
### 7. OPEN LIMIT ADJUST:

- If gate opens to left (viewing from secure side), adjust left hand knob of limit assembly (IMAGE 17-5) until the GREEN LED illuminates on control board (IMAGE 17-4).
- If gate opens to right (viewing from secure side), adjust right hand knob of limit assembly (IMAGE 17-5) until the GREEN LED illuminates on control board (IMAGE 17-4).

8. Push and hold the CLOSE button on Control Board until gate reaches the fully intended close position.

### 9. CLOSE LIMIT ADJUST:

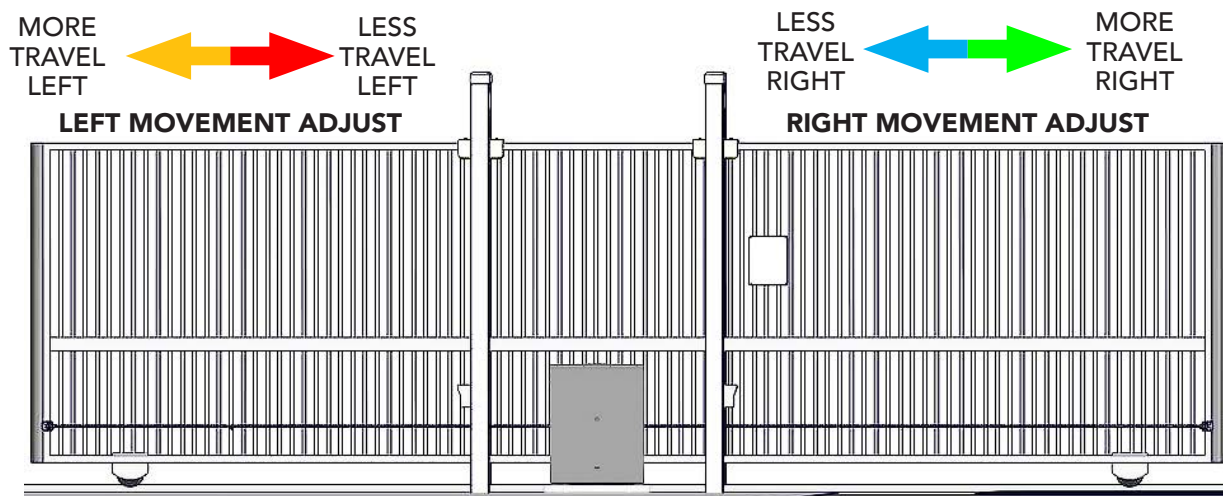
- If gate closes to left (viewing from secure side), adjust left hand knob of limit assembly (IMAGE 17-5) until the RED LED illuminates on control board (IMAGE 17-4).



#### NOTES:

If the wrong limit LED lights (i.e. the close LED lights when gate at open limit), reverse the limit wires (reverse orange and white) on the motor motor connector.

If a gate moves in opposite direction from what is expected, reverse the motor power lead wiring (red & black wires) for that motor.



**IMAGE 17-5: GATE LIMIT ASSEMBLY ADJUSTMENT - GATE DIRECTION**



## 16: GATE LIMIT LEARNING PROCEDURE (CONT.)

(Continued)

- If gate closes to right (viewing from secure side), adjust right hand knob of limit assembly (IMAGE 17-5) until the RED LED illuminates on control board (IMAGE 17-4).
10. Press OPEN or CLOSE buttons on the control board till gate is in approximately the halfway position.
  11. If dual gate system, unplug the first actuator, plug in the second actuator and repeat Steps 4-9.
  12. If dual gate system, plug both actuator motor connectors into Control Board, ensuring that the second actuator with longer cable is plugged into MOTOR 2 connector.
  13. Press OK when "Learn" is displayed to allow operator to begin the learning process.
  14. The board automatically begins the limit learning process and the gate(s) moves automatically as follows:
    - a) A short opening sequence to determine number of motors.
    - b) A full closing cycle at half-speed to determine close limits (CLOSE LED lights at close position).
    - c) A full opening cycle at half-speed to determine open limits. (OPEN LED lights at open position).
    - d) A full closing cycle at full-speed into the closed position. (CLOSE LED lights at close position).
  15. The OPEN and CLOSE buttons can now be pressed once (without holding) to fully open and close the gate(s).
  16. Check the position of each gate in its fully closed and open positions before continuing and if gate limits are acceptable, proceed to next instruction.

### NOTES:

By default, there is a 10 second delayed "Auto Close", so after 10 seconds of being open, the gate will again close. This can be changed and set in the control board options as described in later instructions.

**SECTION 13: FINAL ASSEMBLY & PROGRAMMING**

**17 BLUEBUS PHOTO EYE STATUS & TROUBLESHOOTING**

Once BlueBUS photo eyes are recognized by the control board, the photo eye LED behavior should be checked and adjustments made as follows:

1. After power up and all BlueBUS devices are recognized, observe LED behavior in each photo eye.
2. SLOWLY flashing LEDs indicate photo eyes are operating properly.
3. If LEDs indicate improper detection by the control board, poor transmission, or no signal, refer to troubleshooting Table 1-1. Continue to next section for instructions for adjustment of photo eye TX and RX alignment.

**TABLE 18-1: PHOTO EYE LED STATUS AND TROUBLESHOOTING**

<b>LED STATUS</b>	<b>MEANING</b>	<b>ACTION</b>
Always off	(TX, RX) – The photo eye has no power supply or is faulty.	Check that on the terminals of the photo eye there is a voltage of approximately 8 to 12V DC. If the voltage is correct, it is likely that the photocell is faulty.
3 quick flashes, (pause)	(TX, RX) – The pair of photo eyes has not been memorized in the control unit (or the interface).	Make sure that each pair of photocells has a different jumper configuration than the others. Perform the device learning procedure (INSTRUCTION 12).
Very slow flashing	(TX, RX) – The TX is transmitting properly. The RX is receiving an optimum signal.	None; optimum TX - RX alignment.
Slow flashing	(RX) – The RX is receiving a good signal.	None; good operation.
Fast flashing	(RX) – The RX is receiving a weak signal.	Fair operation; the photo eye glass should be cleaned or the photo eye re-aligned.
Very fast flashing	(RX) – The RX is receiving a poor signal.	Barely operational; clean the photo eye glass and realign the TX and RX photocells.
Always on	(TX, RX) –The RX is receiving no signal.	Check if there is an obstacle between the TX and the RX; clean the photo eye glass and realign the TX and RX photocells.

# 18 BLUEBUS PHOTO EYE ALIGNMENT

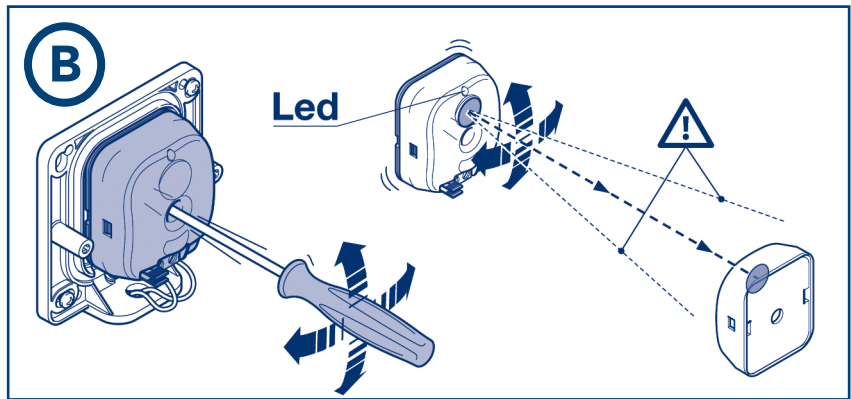
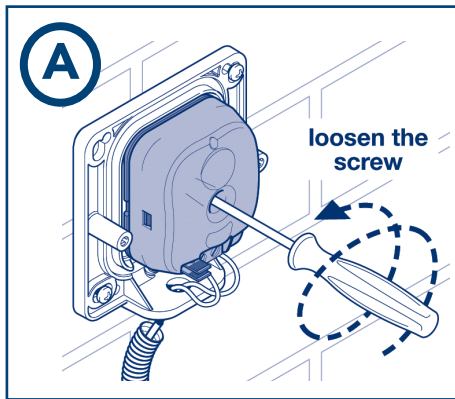
If adjustment of photo eye alignment is necessary, refer to the following instructions:

**NOTES:**

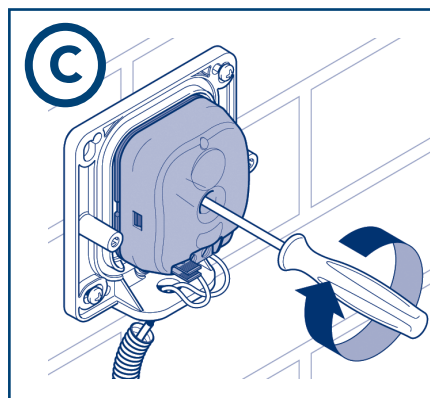
Photo eye testing is described in INSTRUCTION 20.

Adjustment instructions apply only to EPMOB/A and EPLOB/A models. EPMB/A model is not adjustable, and must be adjusted using mechanical means left up to the installer.

1. Pull off front cover from photo eye assembly.
2. Use medium Phillips screwdriver to loosen screw (A).
3. Place screwdriver in hole (B) and lever the entire assembly in desired direction to change the angle of the assembly by up to 15 degrees in all directions (30 degrees total).



4. Observe LED behavior during adjustment and stop adjustment when LED flashes very slowly.
5. Re-tighten screw (C). Do not replace covers till after photo eye testing is performed later in these instructions.



## 19 BLUEBUS PHOTO EYE TESTING

Photo eyes must be tested after power is applied to the control board to ensure proper operation:

1. Apply power to control board and ensure BlueBUS devices are detected and functioning.
2. Press the gate OPEN or CLOSE button on the control board to set gate in motion for each test.
3. Use a hand held cylinder of approx. 2" (5cm) diameter and 12" (30cm) in length and pass between photo eye line of sight as follows:

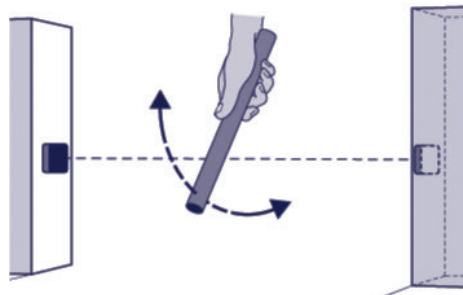


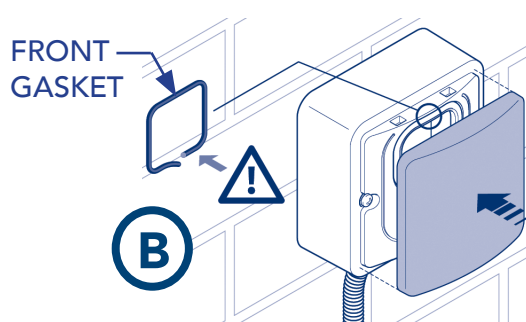
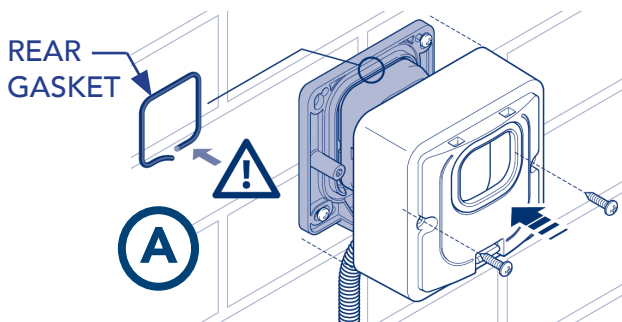
IMAGE 20-1: CYLINDER TESTING

- a) Pass cylinder through line of sight near transmitter.
  - b) Pass cylinder through line of sight near receiver.
  - c) Pass cylinder through line of sight halfway between transmitter and receiver.
4. Each time the line of sight between transmitter and receiver is obstructed, the gate motion should immediately stop, then reverse direction.
  5. If the gate does not react properly when photo eye line of sight is blocked, refer to INSTRUCTION 18 to determine the problem and applicable action.

## 20 BLUEBUS PHOTO EYE FINAL ASSEMBLY

If photo eyes have been tested and are working correctly, photo eye installation may be completed as follows:

1. Ensure rubber rear gasket is in position, then affix photo eye cover to assembly with hardware (A).
2. Ensure rubber front gasket is in position, then snap in face plate (B).



# 21 INSTALLING THE AUDIO ALARM

**IMPORTANT!**

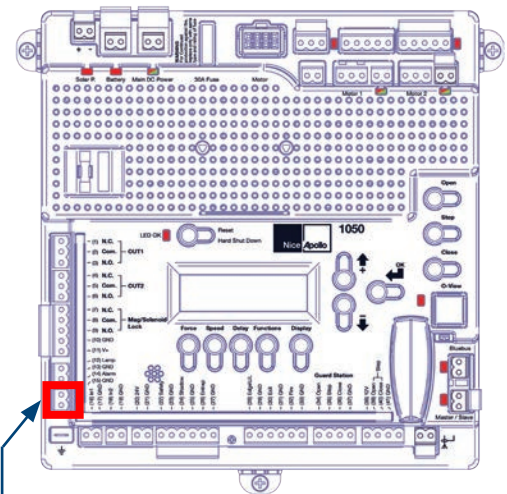
The installer **MUST** connect the included audio alarm per these instructions. Installing the audio alarm is **REQUIRED** for UL325 compliance.

The audio alarm (siren) included in the kit must be connected to the 1050 control board to provide an audible alarm to indicate a hard shutdown of the system, which is triggered by two consecutive entrapment events. It is a piezoelectric device that can produce a minimum of 100 dB @ 1 foot from enclosure per UL code of continuous sound and is powered by 3-12 VDC. Install as follows:

1. The alarm has short leads but may be located inside the box without wiring in additional cable.

**NOTE:** If using additional cable length for installation of alarm external to the control box, maximum wire/cable length is 1000 feet (308.4m).

2. Locate the alarm output connector per IMAGE 22-1.
3. Connect red wire to Pin 14 (Alarm), and black wire to Pin 15 (GND).
4. In the event of a hard shutdown, be sure to determine the problem before resetting the shutdown (pressing the RESET Button on the control board).



ALARM OUTPUT CONNECTOR

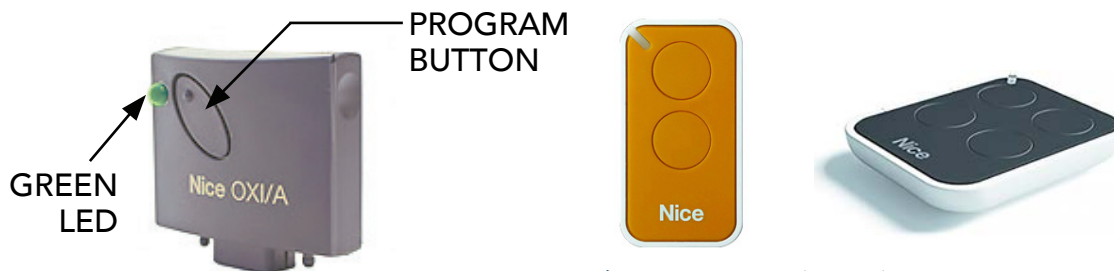
**IMAGE 22-1: ALARM OUTPUT ON CONTROL BOARD**

## 22

## ASSIGNING NEW REMOTE CONTROL

Procure a functioning Nice 2-button or 4-button remote control with a battery installed (IMAGE 23-1) and assign it to the Nice OXI/A receiver as follows:

1. Press and hold the program button on the side of the Nice OXI/A receiver module (IMAGE 23-1, Left) until the green LED lights up on the side of the receiver, then release the button.
2. Within 10 seconds, press and hold any key on the Nice remote control until the LED in the Nice receiver blinks green 3 times, indicating that the remote control is programmed to control the receiver.
3. After the LED on the Nice receiver blinks green 3 times, another 10 second interval is started to program another Nice remote control if desired.
4. Repeat step 3 to program the additional Nice remote control (transmitter). Step 3 may be repeated as many times as necessary to program all available Nice remote controls.
5. Verify that the Nice remote control(s) can control the gate by pressing one or more buttons individually on the remote control(s).
6. If remotes do not function properly, refer to the FUNCTION/Radio Ch. Menu in SECTION 8 to assign the correct function to the radio channels.



**IMAGE 23-1: OXI/A RECEIVER (LEFT),  
2-BUTTON REMOTE (MIDDLE) & 4-BUTTON REMOTE (RIGHT)**



### 23

## DELETING SINGLE REMOTE CONTROL

A Nice remote control that has been programmed to control a Nice OXI/A receiver may be removed from the receiver memory without affecting other assigned remote controls as follows:

1. Press and hold the button on the side of the Nice receiver (on 1050 board) until the LED on the Nice receiver illuminates green and keep the button pressed. The LED will illuminate after approximately 4 seconds.
2. Press and hold any button on the Nice remote control until the LED on the Nice receiver blinks 5 green flashes
3. Release the button on the side of the Nice receiver.
4. It is recommended to verify that the non programmed Nice remote control no longer controls the gate.

### 24

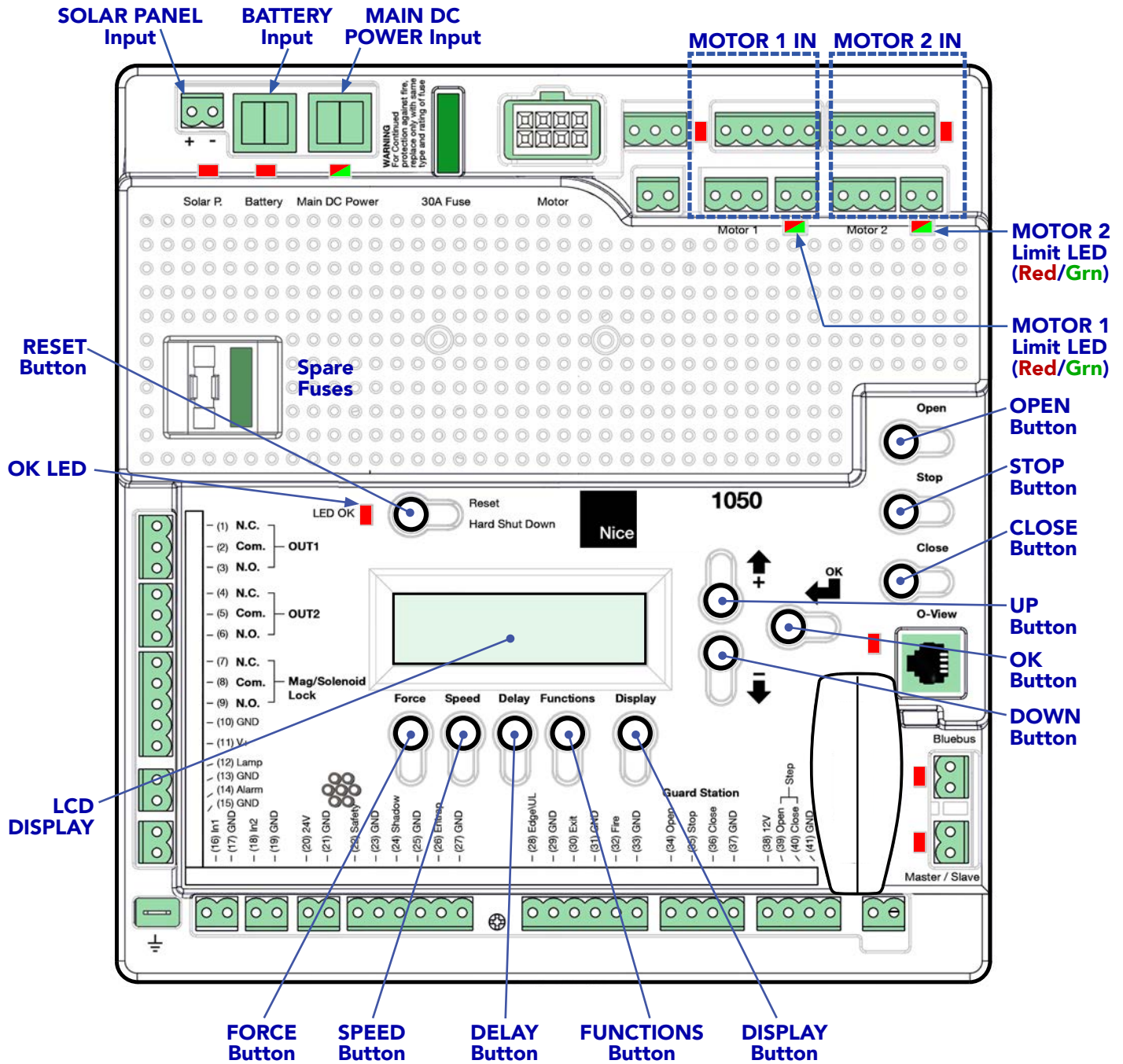
## DELETING ALL REMOTE CONTROLS

All programmed remote controls may be removed from the Nice OXI/A receiver memory as follows:

1. Press and hold the button on the side of the Nice OXI/A receiver module until the green LED on the receiver lights up and keep the button pressed.
2. Watch the LED and on the receiver and verify the following sequence in the LED:
  - a) Within 4 seconds after pressing the button (approx.) the green LED illuminates.
  - b) Within 8 seconds after pressing the button (approx.) the green LED turns off.
  - c) Within 12 seconds after pressing the button (approx.) the green LED starts flashing
3. Count the green LED flashes on the Nice receiver. On EXACTLY the 3<sup>rd</sup> flash, release the button on the Nice receiver.
4. It is recommended to test the Nice remote controls, if available, with Nice OXI/A plug-in receiver to verify that it no longer affects the gate controller.

# SECTION 14: PROGRAMMING AND CONTROLS

This section describes the navigation, menu, and programming controls for the 1050 control board. See FIGURE 14-1 (below) and TABLE 25-1 (next page) for identification of the controls used to navigate and select various options, and the following pages for descriptions and diagrams of menus and the options available for programming.



**FIGURE 14-1: 1050 CONTROL BOARD COMPONENTS & CONTROLS**

**NOTE:** Use programming buttons only after understanding the manual and its relation to the programming sequences shown on the following pages. Care should be taken whenever changes are implemented to ensure proper functionality and safety.

# 25

## CONTROL BOARD MENU NAVIGATION

Refer to Figure 14-1 on previous page for image of 1050 control board layout, LED indicators, and controls. Menus and parameters are accessed and selected by pressing the buttons on the 1050 control board as shown in Table 25-1:

**TABLE 25-1: 1050 CONTROL BOARD BUTTON FUNCTIONS**


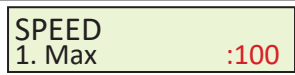





BUTTON	FUNCTION
<b>OPEN Button</b>	Opens the gate.
<b>STOP Button</b>	Stops the gate, whether opening or closing.
<b>CLOSE Button</b>	Closes the gate.
<b>UP Button</b>	Used for navigating through menus, options, and values.
<b>DOWN Button</b>	Used for navigating through menus, options, and values.
<b>OK Button</b>	Selects the current menu, option, or value shown in the display.
<b>RESET Button</b>	Resets a hard shutdown.

Navigation buttons are used as follows:

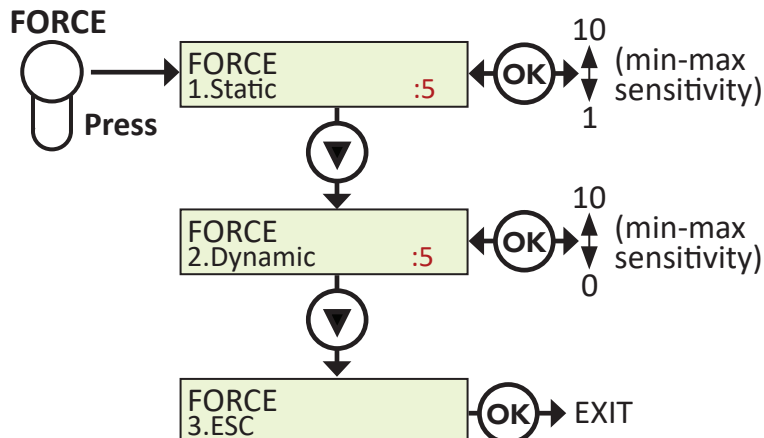
1. Press desired option button. Option menu name appears in top half of display. Sub-option names and parameter values appear in the lower half of display.
2. Press UP and DOWN buttons to navigate between options or values.
3. Press OK to select options to change or to accept selected values.
4. Each menu features an ESC selection for exiting the menu.

**NOTE:** The following pages illustrate and map the menu selection options in the 1050 control board.

### 1050 CONTROL BOARD MENU FLOW CHART LEGEND

SYMBOL	MEANING	SYMBOL	MEANING
	Generic 1050 Button		LCD Display (default values in red)
	Push OK Button		Menu Flow Direction
	Push UP Button		Use UP & DOWN arrows to select
	Push DOWN Button		

## FORCE BUTTON

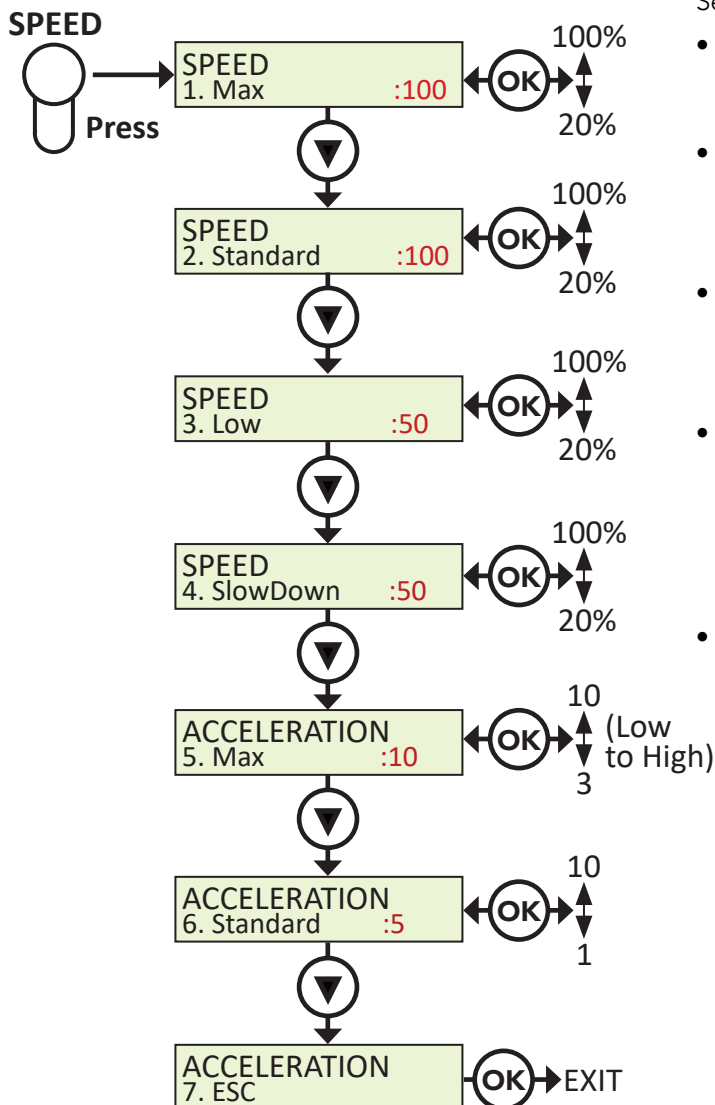


### FORCE BUTTON MENU:

Amount of force needed to cause the gate to stop and reverse when hitting an obstacle.

- **STATIC:** Set sensitivity to constant force on a scale of 1 to 10 (1 being the most sensitive).
- **DYNAMIC:** Set sensitivity of sudden impact force to the moving gate on a scale of 1 to 10 (1 being most sensitive). 0 = OFF.
- **EXIT:** Exits the FORCE menu.

## SPEED BUTTON

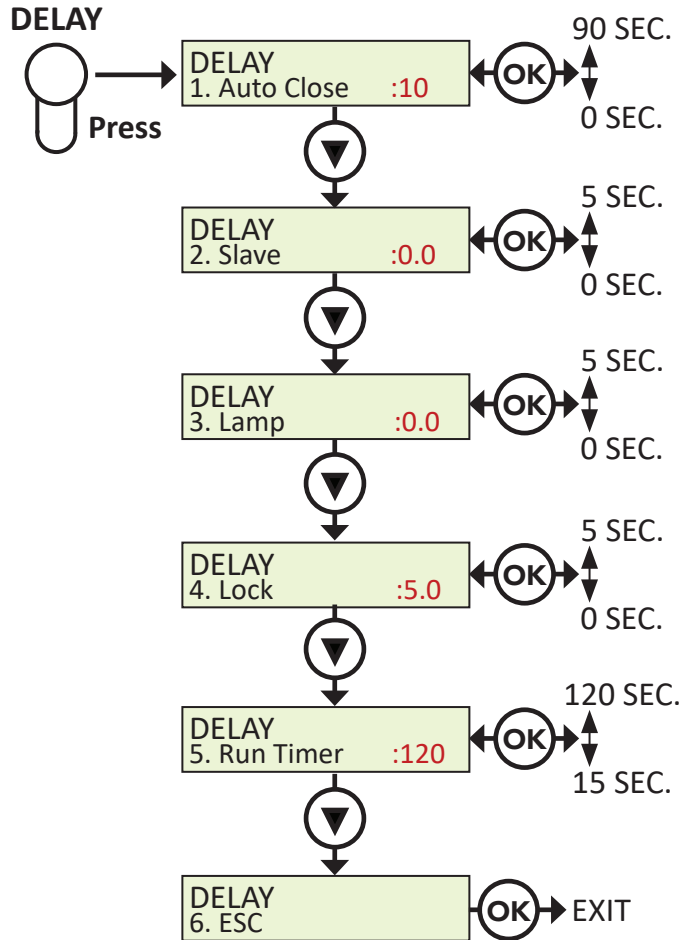


### SPEED BUTTON MENU:

Sets the speed of the gate under various conditions.

- **MAX:** Sets limit of max allowed gate speed on scale of 20% to 100% (20% is lowest setting). It is recommended to set to default of 100.
- **STANDARD:** Sets limit of the gate speed during normal movement (not soft start/stop) on scale of 20% to 100% (20% being the lowest setting). It is recommended to set to default of 100.
- **LOW:** Sets limit of the gate speed while in LEARNING mode and when moving in SLOW, on scale of 20% to 100% (20% being the lowest setting). Recommended not to be set lower than 50. Default setting depends upon learning parameters
- **SLOWDOWN:** Set gate speed when approaching the open or close limits on scale of 20% to 100% (20% being the lowest setting). Recommended not to set lower than 50% for slide gates. The lower this setting the less power the operator will have when approaching the limit. Setting too low could cause a stall condition prior to open/close limit.
- **ACCELERATION:** Adjusts the rate of acceleration/ deceleration when the motor starts and stops moving:
  - » **MAX:** Sets the limit of gate acceleration and deceleration when reversing the gate after an obstacle has been detected by the UL/Edge or current sense feature (Force). Settings from 3 to 10, with 10 being the highest rate of gate acceleration.
  - » **STANDARD:** Sets the limit of the gate acceleration and deceleration in normal operation. Settings from 1 to 10, with 10 being the highest rate of gate acceleration. \* \*TO PREVENT DAMAGE TO THE GATE OR THE CONTROLLER USE LOWER ACCELERATION SETTINGS FOR HEAVIER GATES.
- **ESC:** Exit the SPEED / ACCELERATION menus.

## DELAY BUTTON



### DELAY BUTTON MENU:

- **AUTO CLOSE:** Sets the time before the gate closes automatically from the fully open position. Settings from 0 (off) to 90 seconds. Setting this to 0 will disable the auto close timer.
- **SLAVE:** Enables overlapping dual gates to dovetail smoothly by creating a momentary delay for Slave operator when opening and Master when closing. Settings from 0-5 seconds with increments of 0.5.

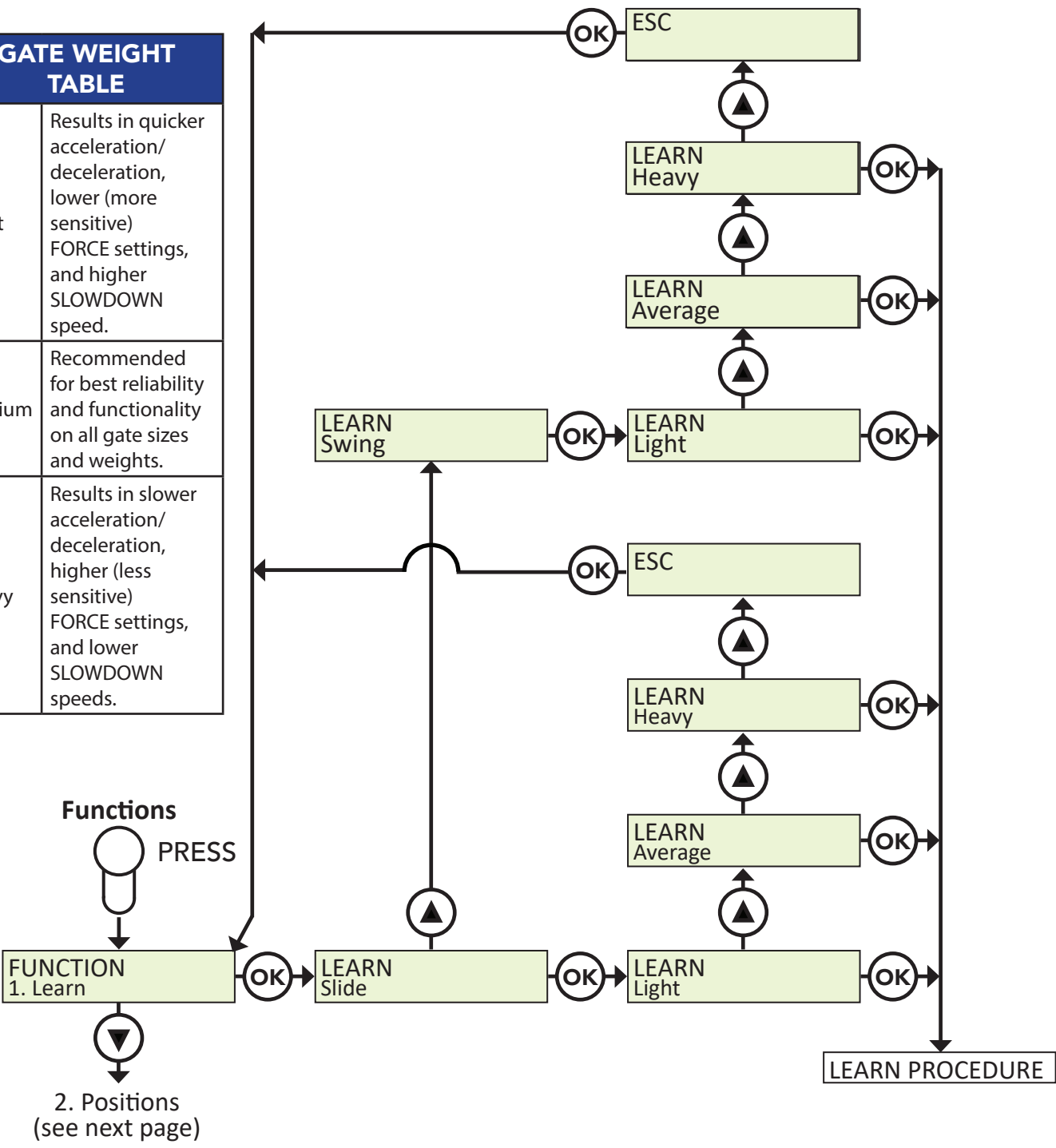
**EXAMPLE:** If 03 is selected, in the OPEN direction the Slave Operator will begin to OPEN 3 seconds after the Master. In the CLOSE direction the Master Operator will begin to CLOSE 3 seconds after the Slave

**NOTE:** For 12V residential operators the Master is Motor 1 by default but can be changed in the Advance Settings menu.

- **LAMP/STROBE:** Sets the amount of time the Lamp accessory output is activated prior to gate movement. Settings from 0 to 5 seconds with a step of 0.5 seconds.
- **LOCK:** Sets the amount of time the Magnetic Lock accessory output is activated to disable the lock when opening the gate. Settings from 0 to 5 seconds with a step of 0.5 seconds.
- **RUN TIME:** Sets the maximum run time for the gate. Used in case the gate doesn't reach its limits. Settings from 15 to 120 seconds with a step of 1 sec.
- **ESC:** Exit the DELAY menu.

## FUNCTION BUTTON > Learn

GATE WEIGHT TABLE	
Light	Results in quicker acceleration/ deceleration, lower (more sensitive) FORCE settings, and higher SLOWDOWN speed.
Medium	Recommended for best reliability and functionality on all gate sizes and weights.
Heavy	Results in slower acceleration/ deceleration, higher (less sensitive) FORCE settings, and lower SLOWDOWN speeds.



**Functions**  
 PRESS  
 FUNCTION  
 1. Learn  
 2. Positions  
 (see next page)

### FUNCTION>LEARN MENU:

Puts the gate operator into LEARNING mode for a Swing or Slide gate, and BlueBUS peripherals and features a number of settings. Learning mode involves selecting the gate type (Slide or Swing), the weight (Light, Average, Heavy), then letting gate open and close automatically to sense limits. See Gate Weight Table, above, for gate weight definitions. Selecting gate type selects pre-calculated values for the FORCE, SPEED, and ACCELERATION settings. Learning the BlueBUS peripherals enables the gate operator to discover and integrate accessory devices like BlueBUS access control and safety devices.



## FUNCTION BUTTON > Positions

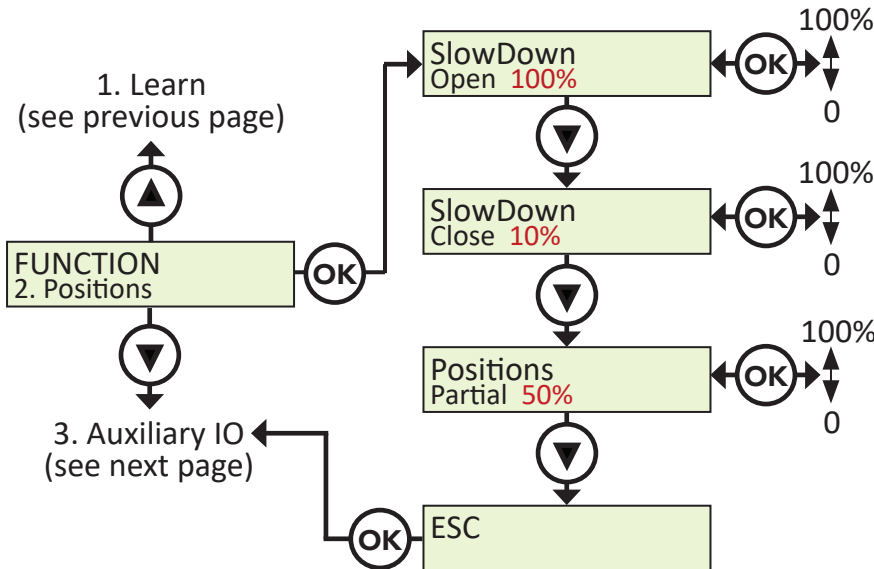
### FUNCTIONS>POSITIONS MENU:

Sets points in the gate open, close, and partial cycles at which deceleration occurs.

- **SLOW DOWN - OPEN:** Sets the point in the % of gate opening when the gate begins deceleration to the fully open position.

- **SLOW DOWN - CLOSE:** Sets the % of gate opening when the gate begins deceleration to the fully close position.

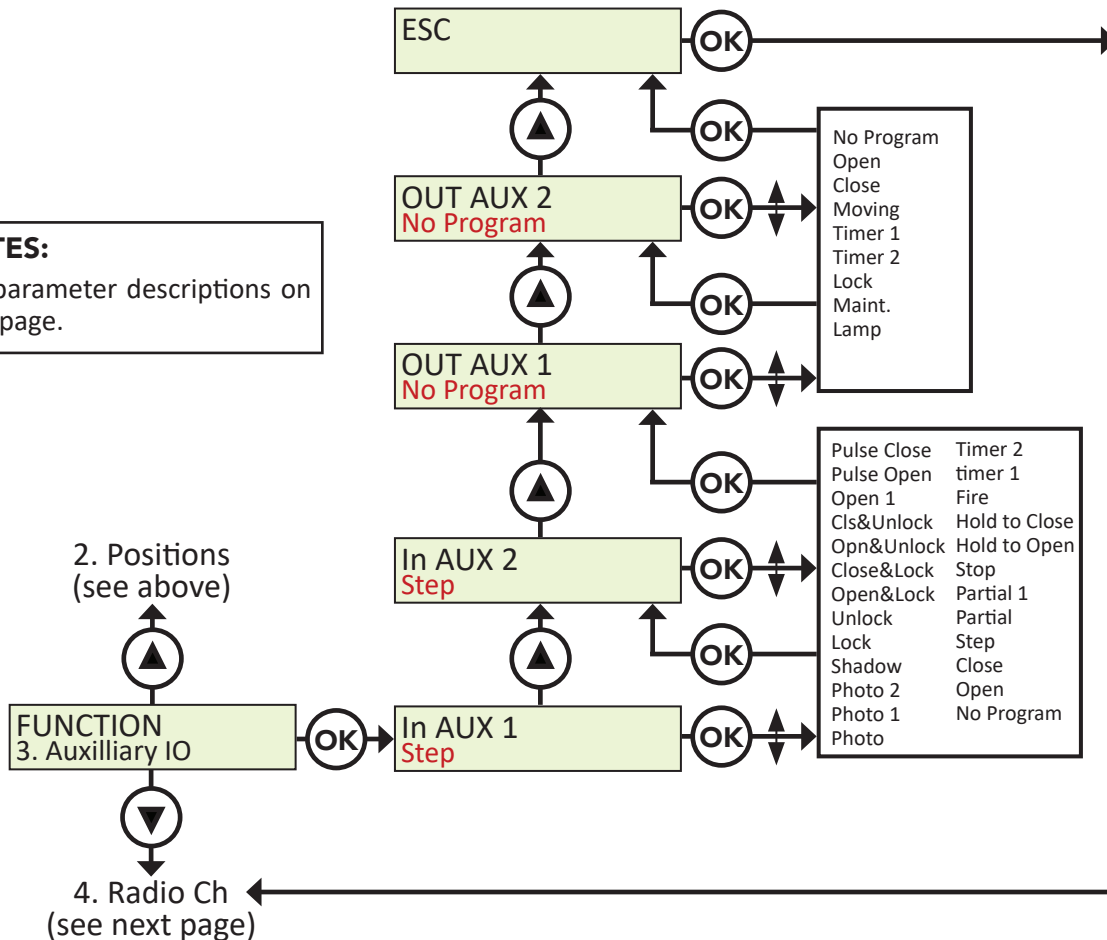
- **POSITIONS - PARTIAL:** Sets the point in the % of gate opening where the gate will stop when given a PARTIAL command.



## FUNCTION BUTTON > Auxiliary IO

### NOTES:

See parameter descriptions on next page.



### FUNCTION BUTTON > Auxiliary IO (Cont.)

#### FUNCTION>AUXILIARY INPUTS MENU:

The auxiliary inputs IN1(16) and IN2 (18) can be programmed with one of the following options:

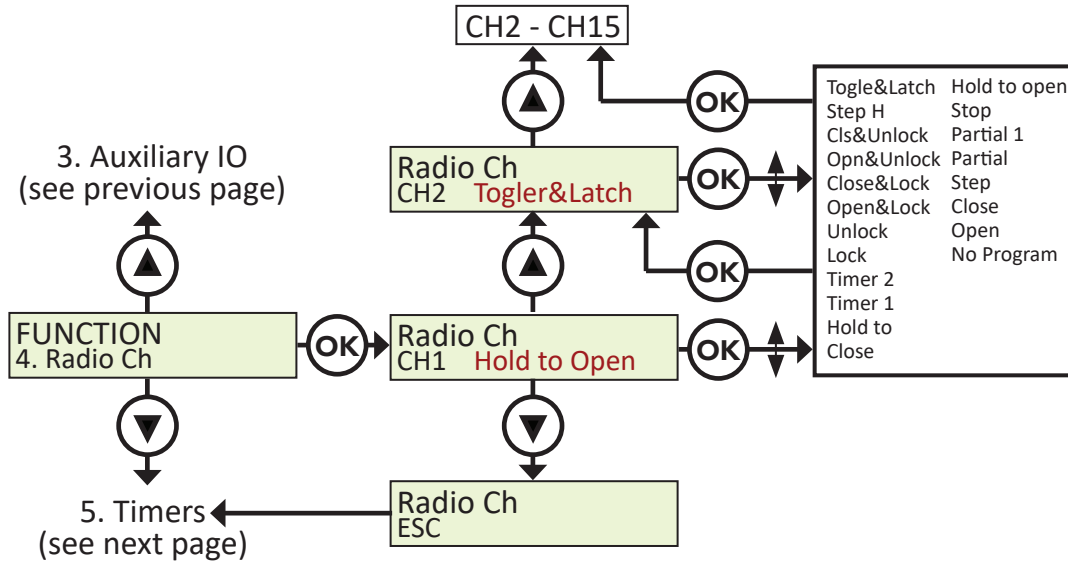
- **NO PROGRAM:** No function used.
- **OPEN:** Opens the gate.
- **CLOSE:** Closes the gate.
- **STEP:** Cycling step (Open-Stop-Close-Stop).
- **PARTIAL:** Partial opening.
- **PARTIAL 1:** Partial opening 1 (open one leaf in dual gate applications).
- **STOP:** Stop the gate and auto-closing.
- **HOLD TO OPEN:** Input must be maintain active for opening.
- **HOLD TO CLOSE:** Input must be maintain active for Closing.
- **FIRE:** Reset hard shut down and open the gate.
- **TIMER 1:** Start count down TIMER1.
- **TIMER 2:** Start count down TIMER2.
- **PHOTO:** Photocell PHOTO input: reverse to opening when closing.
- **PHOTO 1:** Photocell PHOTO1 input: Stop gate when activated.
- **PHOTO 2:** Photocell PHOTO2 input: reverse to closing when opening.
- **SHADOW:** Loop input: Prevent closing gate when completely open.
- **LOCK:** Lock system from other command (only STEP H overrides the lock).
- **UNLOCK:** Unlock the system if locked.
- **OPEN&LOCK:** Open the gate and inhibit further commands (except STEP H).
- **CLOSE&LOCK:** Close the gate and inhibit further commands (except STEP H).
- **OPEN&UNLOCK:** Open the gate and un-inhibit further commands.
- **CLOSE&UNLOCK:** Close the gate and un-inhibit further commands.
- **STEP H:** Command high priority Step cycling (open-stop-close-stop).
- **OPEN 1:** Reopens a gate that has drifted off its open limit.
- **PULSE OPEN:** Connect a monitored external entrapment sensor with a 300 Hz pulse output that protects the open direction of travel.
- **PULSE CLOSE:** Connect a monitored 300 Hz external entrapment sensor with a 300 Hz pulse output that protects the close direction of travel.

#### FUNCTION>AUXILIARY OUTPUTS MENU:

Auxiliary outputs OUT1 (1,2,3,) and OUT2 (4,5,6,) can be programmed with one of these options.

- **NO PROGRAM:** Output not used.
- **OPEN:** Output is activated when gate is open.
- **CLOSE:** Output is activated when gate is closed.
- **MOVING:** Output is activated when gate is moving.
- **TIMER 1:** Output is activated when TIMER1 is counting down.
- **TIMER 2:** Output is activated when TIMER2 is counting down.
- **LOCK:** Output is activated when gate is locked open or closed.
- **MAINTENANCE:** Output is activated when maintenance count exceeded (set in Display>Service in increments of 1000 gate cycles). Can be set to trigger alarm or light to signal that maintenance should be performed).
- **LAMP:** Output is activated when lamp (conn. 12/13) is connected and on.

## FUNCTION BUTTON > Radio Ch.

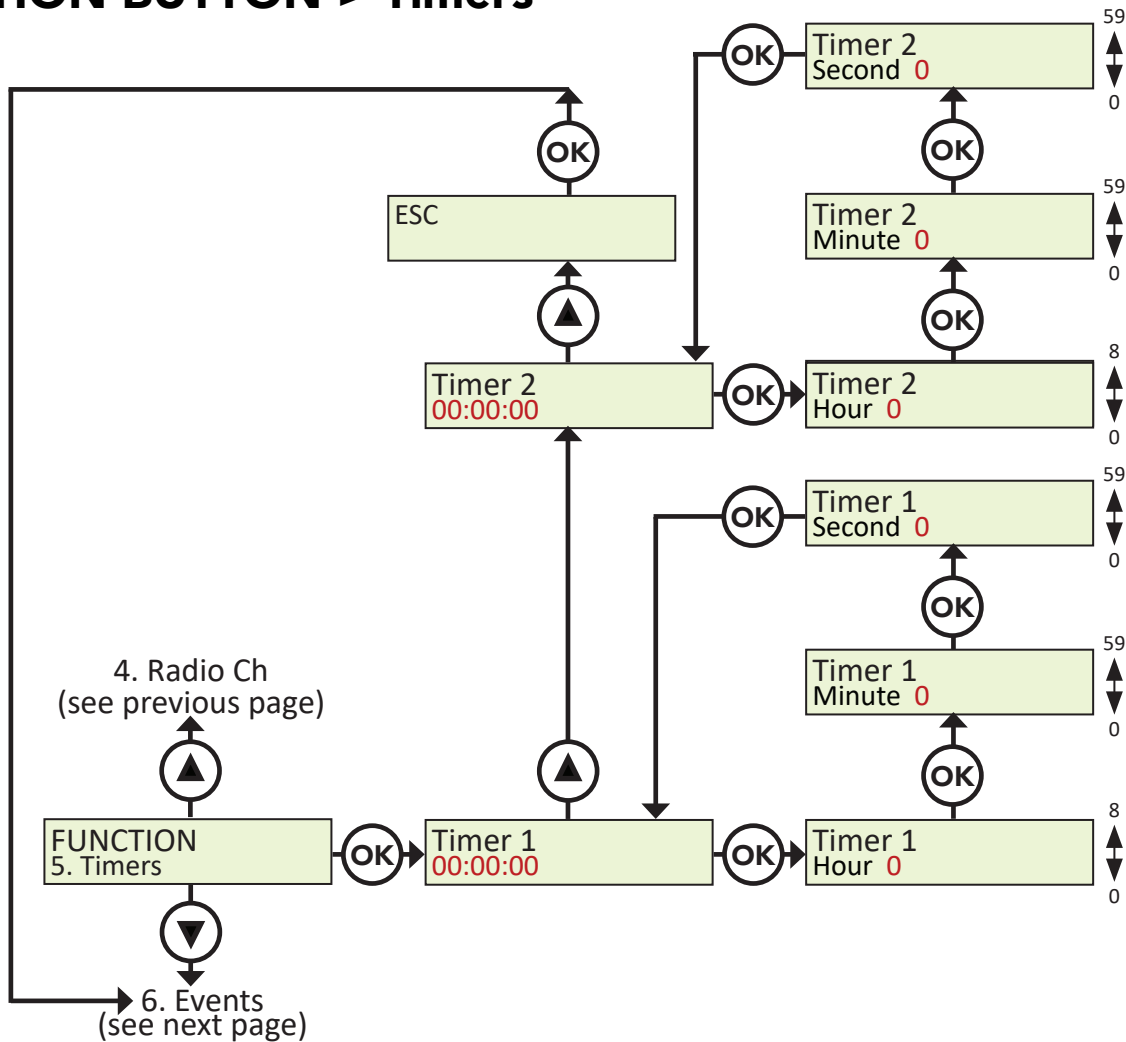


### FUNCTION>RADIO CHANNEL MENU:

For the Plug-in On board Receiver, 15 radio channels may be programmed with one of the following options:

- No Program
- Open (Default Ch. 2)
- Close (Default Ch. 3)
- Step (Default Ch. 1)
- Partial (Default Ch. 4)
- Partial 1
- Stop
- Hold To Open
- Hold To Close
- Timer 1
- Timer 2
- Photo
- Lock
- Unlock
- Open And Lock
- Close And Lock
- Open And Unlock
- Close And Unlock
- Step H
- Togle & Latch

## FUNCTION BUTTON > Timers

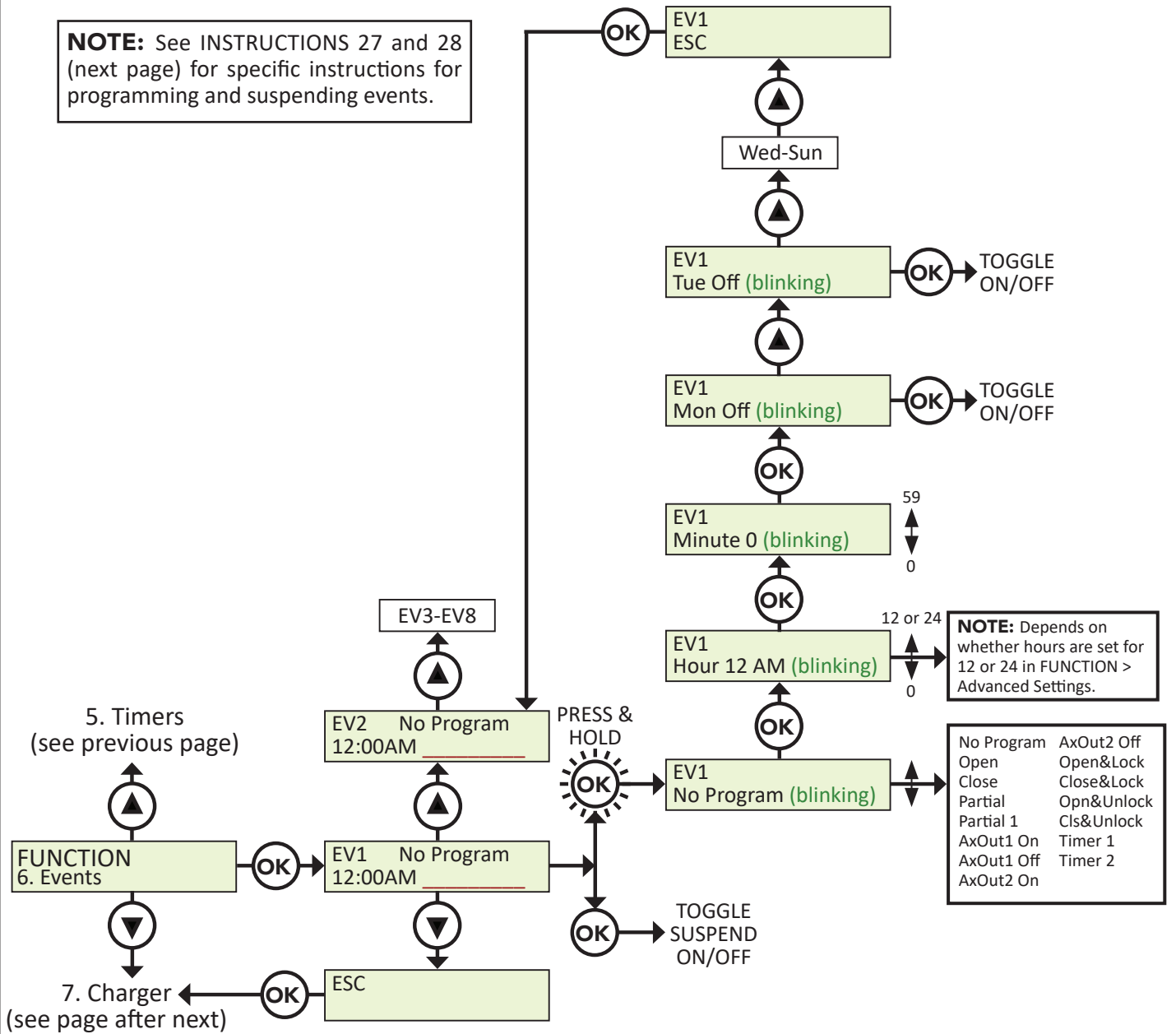


**FUNCTION>TIMERS MENU:**

Set time for count down timers Timer 1 and Timer 2. Settings for between 1 second and 9 hours in 1 second increments.

## FUNCTION BUTTON / Events

**NOTE:** See INSTRUCTIONS 27 and 28 (next page) for specific instructions for programming and suspending events.



### FUNCTION>EVENTS MENU:

Up to eight weekly events (EV1 through EV8) can be programmed and stored. Each event can be programmed to trigger at a specific time and can be assigned to any combination of days of the week (Monday through Sunday).

- No Program
- Open
- Close
- Partial
- Partial 1
- AxOut1 On
- AxOut1 Off
- AxOut2 On
- AxOut2 Off
- Open&Lock
- Close&Lock
- Opn&Unlock
- Cls&Unlock
- Timer 1
- Timer 2

## 26 EVENT PROGRAMMING INSTRUCTIONS

To PROGRAM weekly events EV1 through EV8, perform the following steps:

1. Ensure time and date are set correctly. See Function/Display Menu for how to set time/date.
2. Press FUNCTION > Events.
3. Press and hold OK to display EV1 (event program will blink).
4. Press UP or DOWN to toggle between events, then press OK to make a selection. The display changes to hours.
5. Press UP or DOWN to toggle between hours, then press OK to make a selection. The display changes to minutes.
6. Press UP or DOWN to toggle between minutes, then press OK to make a selection. The display changes to individual days of the week.
7. Press UP or DOWN to toggle between days of the week. Press OK to toggle between ON and OFF for each day of the week. Continue moving up through the days of the week until ESC is displayed. Press OK to advance to the next event.
8. Repeat step 2 through 6 for event EV2 through EV8.

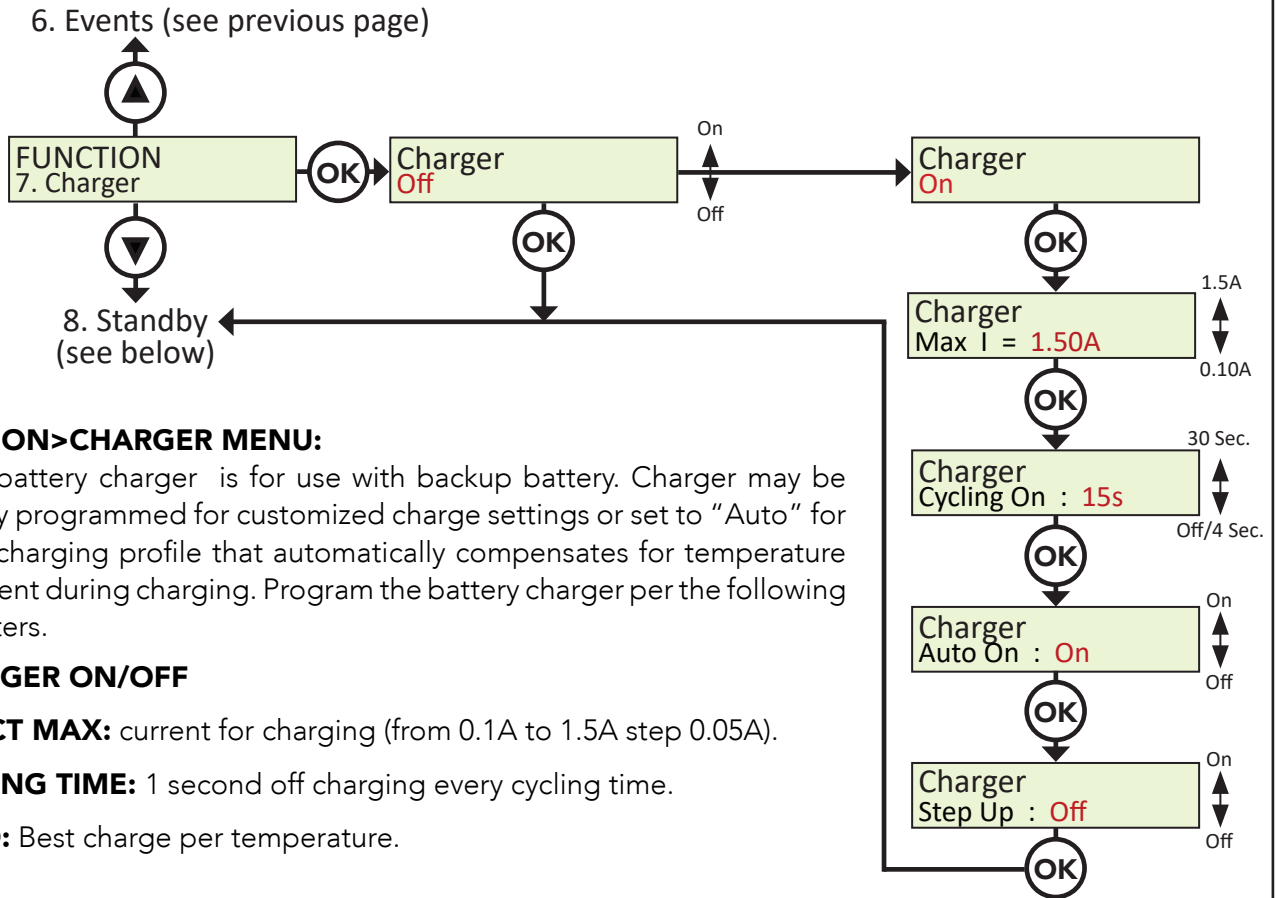
## 27 SUSPEND EVENT INSTRUCTIONS

To TEMPORARILY SUSPEND one or more weekly events (EV1 through EV8), perform the following steps:

1. Press FUNCTION > Events.
2. Press OK quickly to display EV1 active days.
3. Press OK quickly again to display "Suspend". Event EV1 is now suspended and will not run until re-enabled.
4. Press UP or DOWN to toggle through the events EV1 – EV8 and repeat steps 2 through 3 to suspend or enable other weekly events.



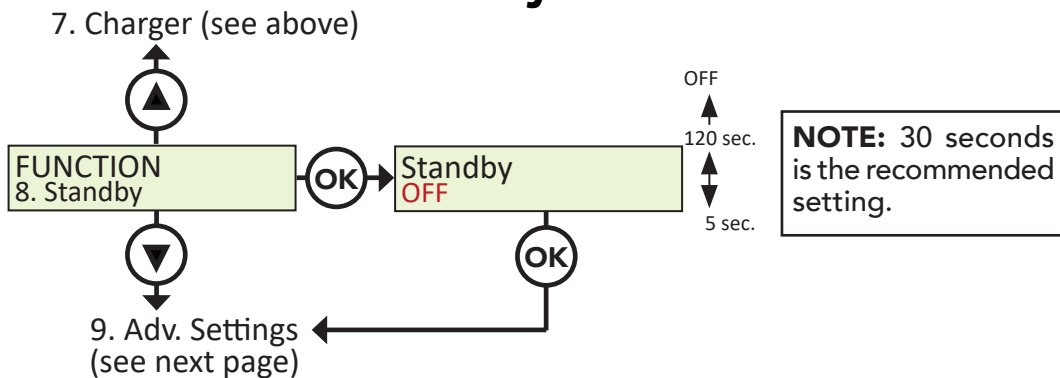
## FUNCTION BUTTON / Charger



### IMPORTANT!

Charger settings are set by default for most battery charging requirements. If the charger menu is accessed or modified - ALL settings must be verified by pressing OK or the internal charging system will be turned OFF.

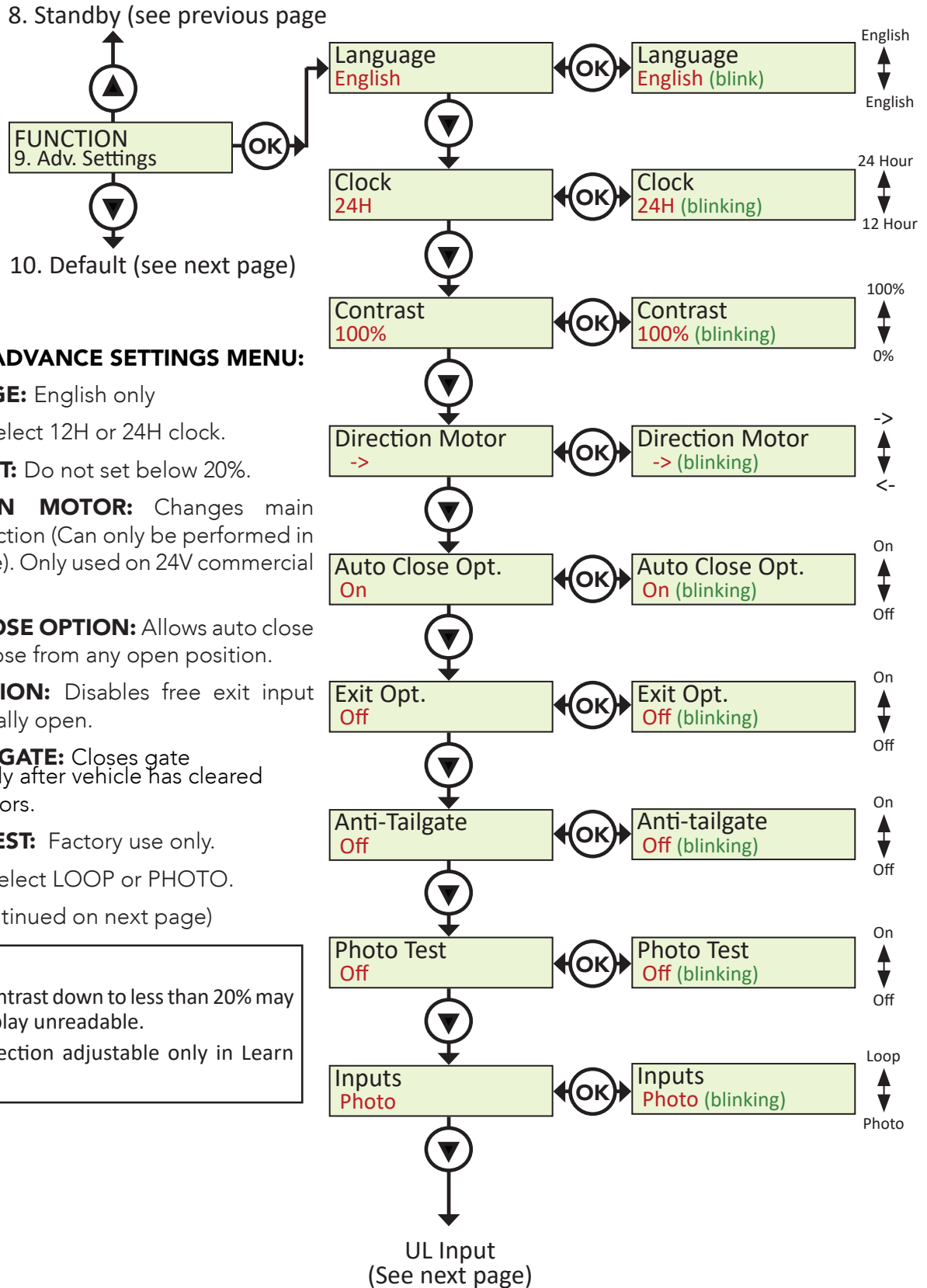
## FUNCTION BUTTON / Standby



### FUNCTION>STANDBY MENU:

Programs timeout of low power standby mode for gate operator. Settings are from 5 to 120 seconds, or may be disabled (OFF). During low power standby there is no data displayed on the gate operator LCD and it consumes a minimum amount of power to extend the life of the backup battery. Most of the outputs, including output power at #20 (24v) and #38 (12V), are switched off during Standby Mode and the OK LED blinks to indicate standby status. Output #11 (V+) provides power during Standby Mode.

## FUNCTION BUTTON / Adv. Settings



### FUNCTION>ADVANCE SETTINGS MENU:

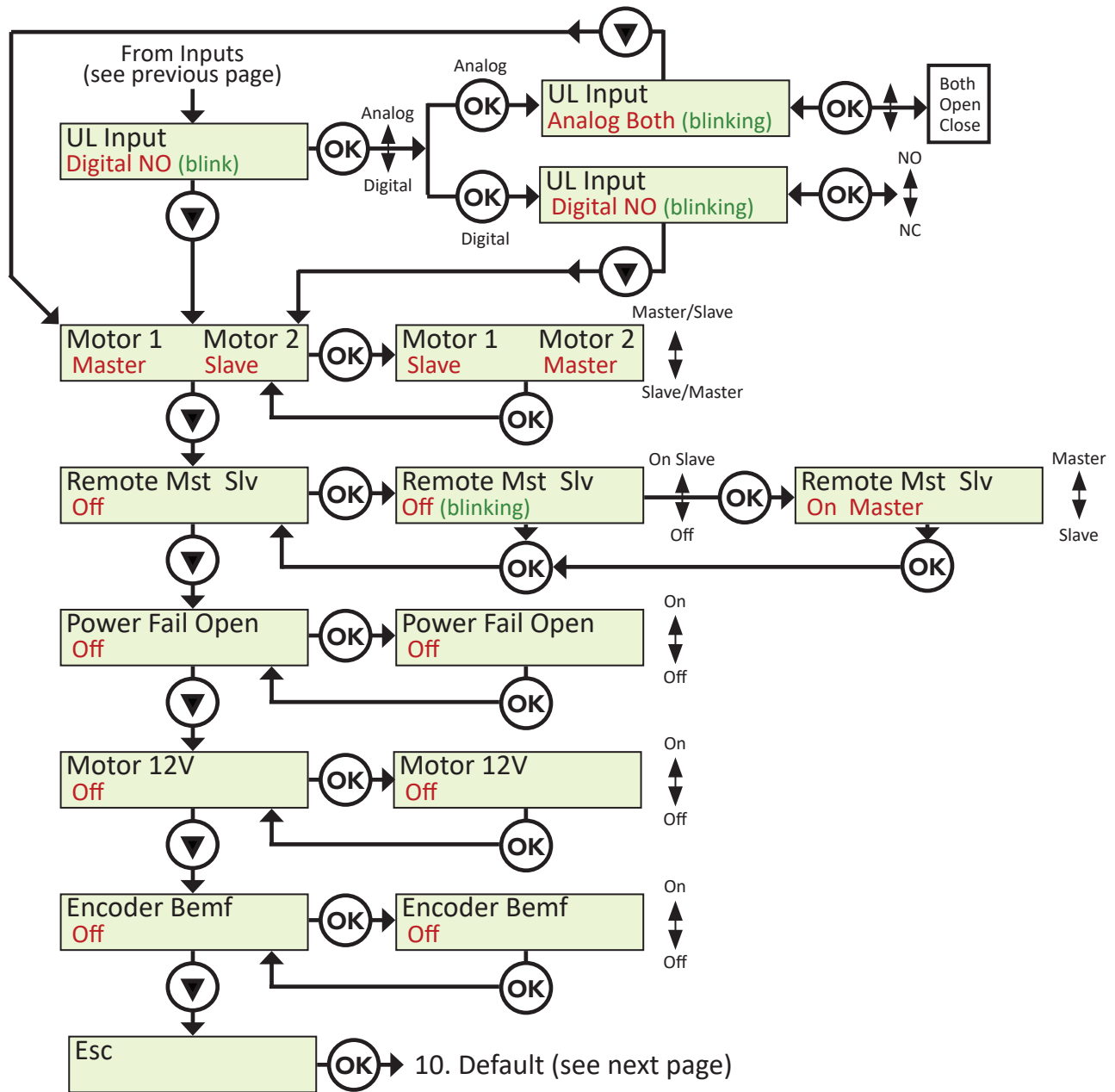
- **LANGUAGE:** English only
- **CLOCK:** Select 12H or 24H clock.
- **CONTRAST:** Do not set below 20%.
- **DIRECTION MOTOR:** Changes main motor direction (Can only be performed in learn mode). Only used on 24V commercial operators.
- **AUTO CLOSE OPTION:** Allows auto close timer to close from any open position.
- **EXIT OPTION:** Disables free exit input when partially open.
- **ANTI-TAILGATE:** Closes gate immediately after vehicle has cleared safety sensors.
- **PHOTO TEST:** Factory use only.
- **INPUTS:** Select LOOP or PHOTO.

(Continued on next page)

#### NOTES:

- Turning contrast down to less than 20% may make display unreadable.
- Motor direction adjustable only in Learn Mode.

## FUNCTION BUTTON / Adv. Settings (Cont.)

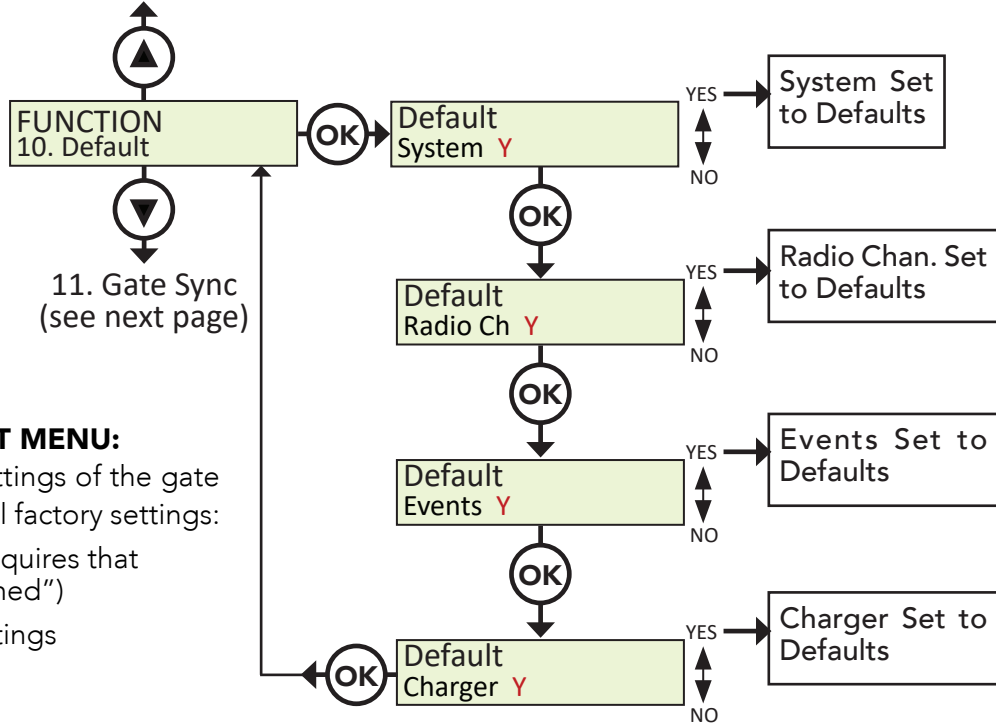


### FUNCTION>ADVANCE SETTINGS MENU (Cont.):

- **UL INPUT:** For analog, select both, open, or close. For digital, select NC (normally closed) or NO (normally open). **NOTE:** When set to ANALOG OPEN, CLOSE, or BOTH, input must have an 8.2k-10k Ohm terminated external entrapment sensor installed. ANALOG BOTH only available for Swing Gates.
- **SELECT MASTER / SLAVE:** Motor1 or Motor2
- **ACTIVATE LINK FOR REMOTE MASTER/SLAVE:** Enables control of an additional gate operator board.
- **POWER FAIL OPEN:** Opens gate automatically on battery backup power if main DC power input loss is detected.
- **MOTOR 12V:** Forces motor control voltage to +12VDC even if the supply voltage varies +9.5VDC up to +35VDC)
- **SET VIRTUAL ENCODER:** For motors without built-in encoders.

## FUNCTION BUTTON / Defaults

9. Adv. Settings (see previous page)



### FUNCTION>DEFAULT MENU:

Returns some or all settings of the gate operator to the original factory settings:

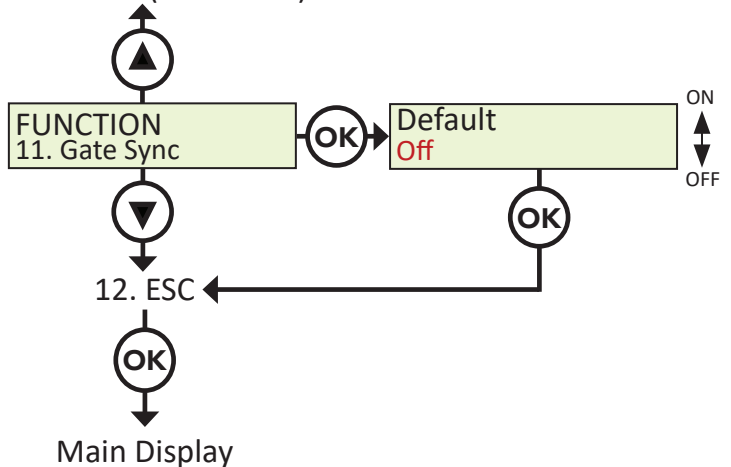
- System Settings (requires that system be "re-learned")
- Radio Channel Settings
- Event Settings
- Charger Settings

## FUNCTION BUTTON / Gate Sync

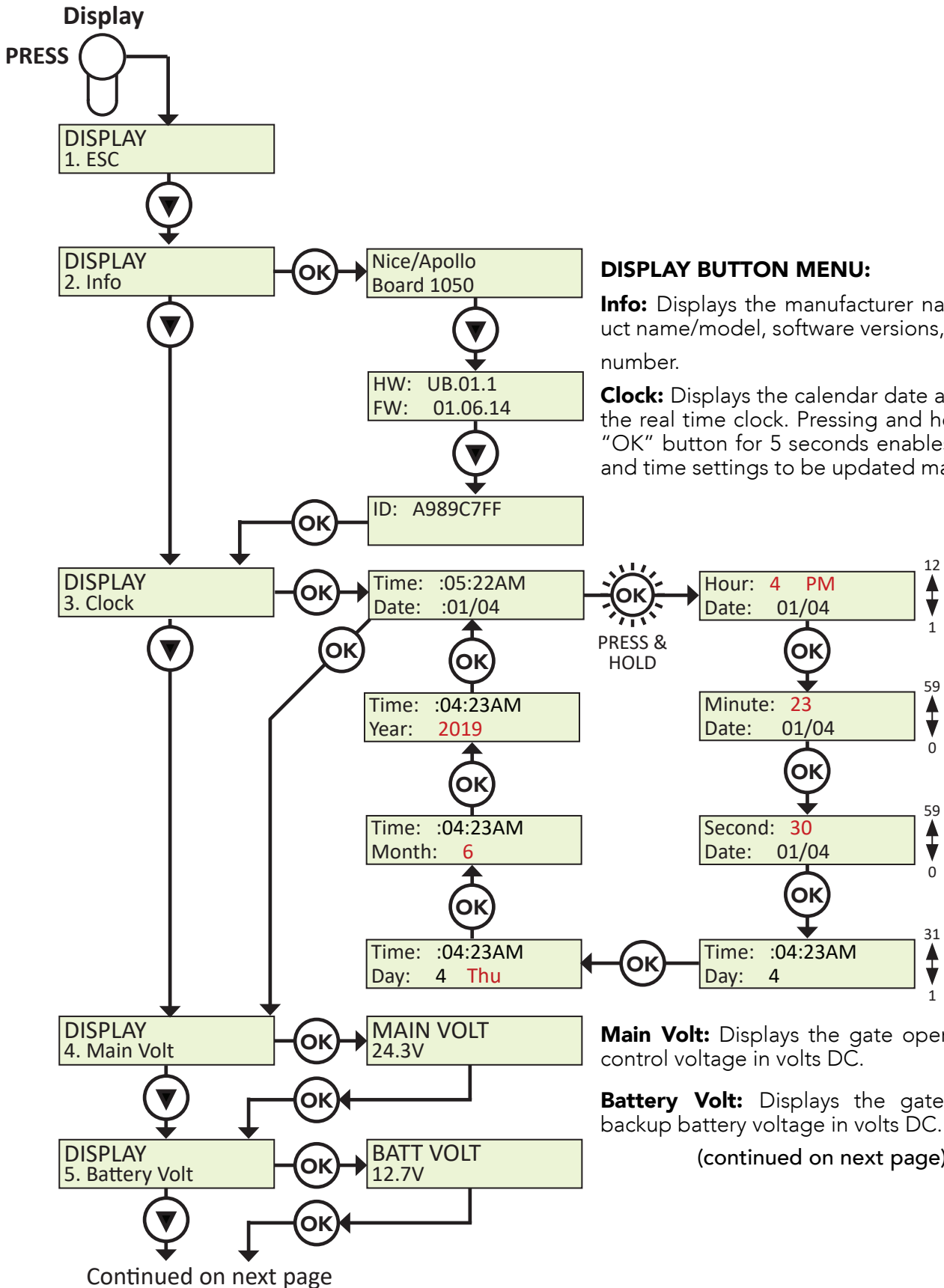
10. Defaults (see above)

### GATE SYNC MENU:

In a dual gate system, the actuator nearest the control box (connected to Motor 1 inputs) has a substantially shorter cable than that connected to Motor 2 inputs. This may introduce a noticeable voltage drop and reduction in speed of Motor 2 actuator compared to the Motor 1 actuator. When this setting is ON, the control board attempts to synchronize the run time of both actuators.



**DISPLAY BUTTON:** For selecting certain information for viewing in the LCD display.



**DISPLAY BUTTON MENU:**

**Info:** Displays the manufacturer name, product name/model, software versions, and serial number.

**Clock:** Displays the calendar date and time in the real time clock. Pressing and holding the "OK" button for 5 seconds enables the date and time settings to be updated manually.

**Main Volt:** Displays the gate operator main control voltage in volts DC.

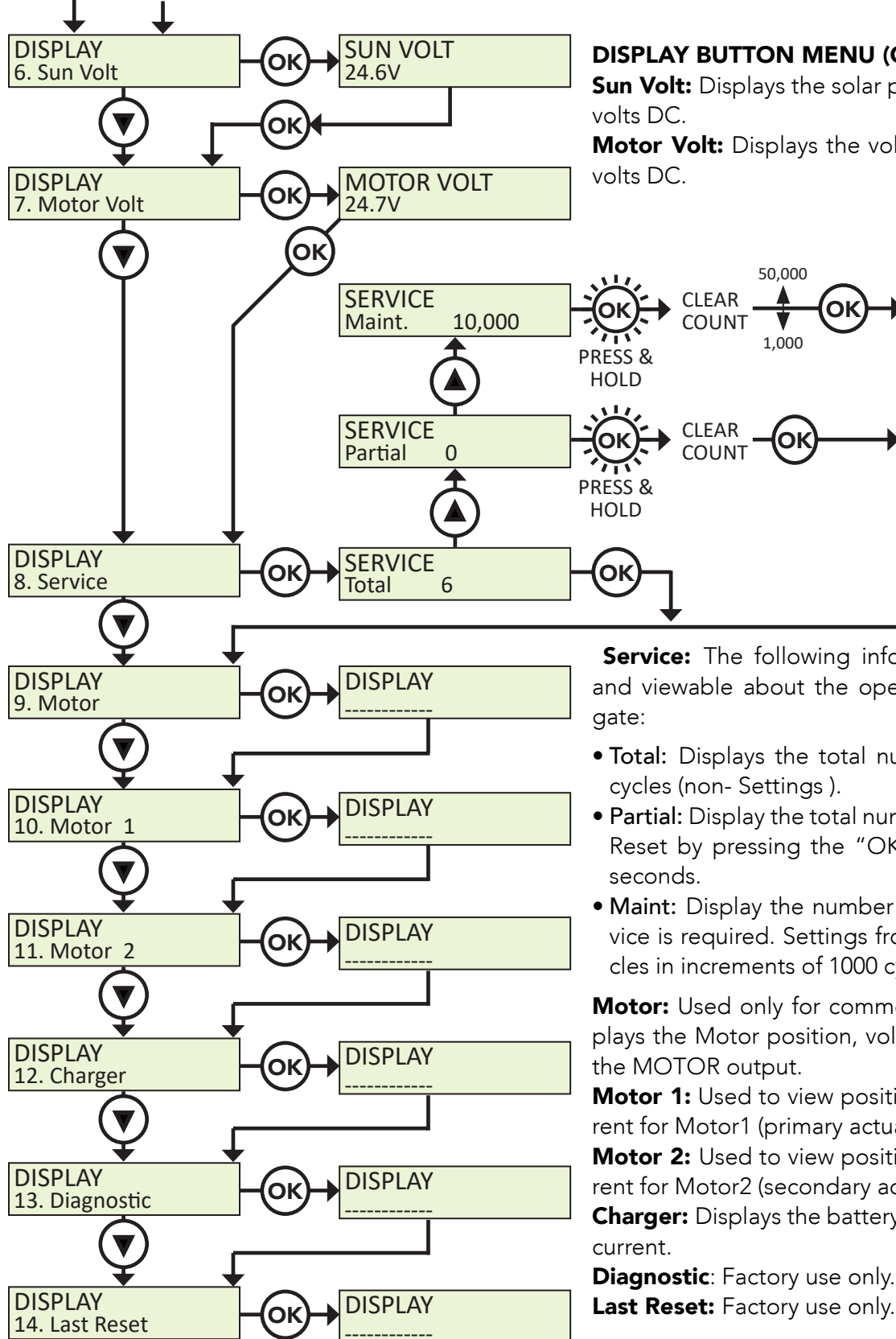
**Battery Volt:** Displays the gate operator backup battery voltage in volts DC.

(continued on next page)

Continued on next page

## DISPLAY BUTTON (CONT.):

Continued from last page



### DISPLAY BUTTON MENU (CONT.):

**Sun Volt:** Displays the solar panel input voltage in volts DC.

**Motor Volt:** Displays the voltage at the motor in volts DC.

**Service:** The following information is recorded and viewable about the operating history of the gate:

- **Total:** Displays the total number of open-close cycles (non- Settings ).
- **Partial:** Display the total number of partial cycles. Reset by pressing the "OK" button for several seconds.
- **Maint:** Display the number of cycles before service is required. Settings from 1000 to 50000 cycles in increments of 1000 cycles.

**Motor:** Used only for commercial operators. Displays the Motor position, voltage, and current for the MOTOR output.

**Motor 1:** Used to view position, voltage, and current for Motor1 (primary actuator).

**Motor 2:** Used to view position, voltage, and current for Motor2 (secondary actuator).

**Charger:** Displays the battery charger voltage and current.

**Diagnostic:** Factory use only.

**Last Reset:** Factory use only.

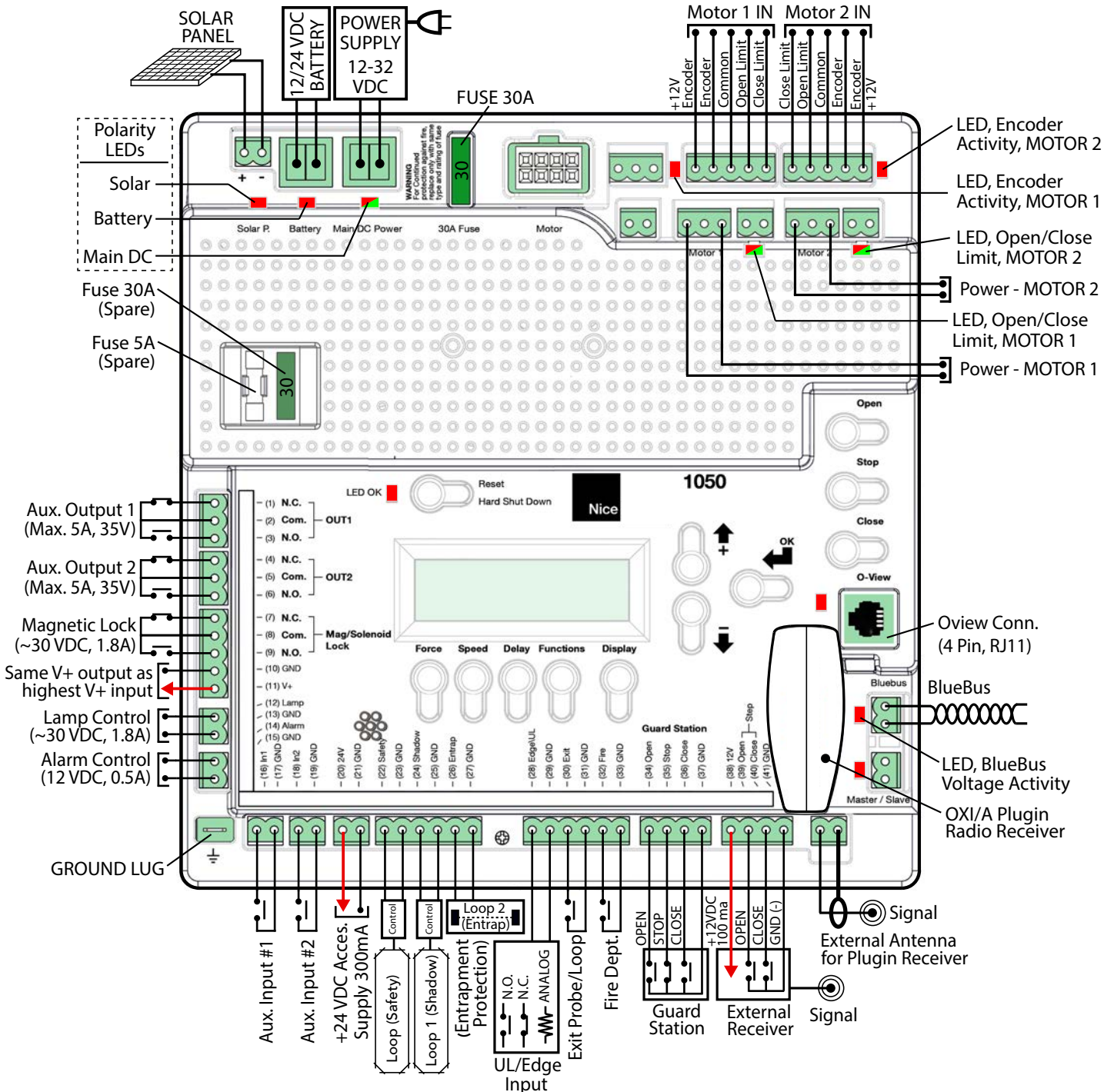


### 14.1 CONTROL BOARD ERROR MESSAGES & TROUBLESHOOTING

CONTROL BOARD ERROR MESSAGES AND TROUBLESHOOTING		
DISPLAY	REASON	POSSIBLE CAUSE(S)
Dynamic M1	Actuator connected to Motor 1 has a brief current spike and tripped Type A sensor.	Check for obstruction in gate path or degraded gate hardware.
Dynamic M2	Actuator connected to Motor 2 has a brief current spike and tripped Type A sensor.	Check for obstruction in gate path or degraded gate hardware.
Static M1	Actuator connected to Motor 1 has an extended current spike and tripped Type A sensor.	Check for obstruction in gate path or degraded gate hardware.
Static M2	Actuator connected to Motor 2 has an extended current spike and tripped Type A sensor.	Check for obstruction in gate path or degraded gate hardware.
Input UL/Edge	UL/Edge input is tripped while gate is running. Appears if IN1 or IN2 input is tripped if configured as a pulsed, external sensor input.	Ensure photo eyes are aligned, edges are not tripped, and all inputs are programmed correctly.
Input STOP!	STOP input is not connect to GND.	Ensure jumper wire is being used and check external stop button wiring.
Photo Test FAIL!	BlueBus monitored sensor check fails.	Verify photo eye is connected, aligned, and internal jumpers are set correctly.
Device Error	Position sensor is not being correctly detected by the board or if there is an active input on the board preventing the learn process.	Ensure Motor 1 and Motor 2 position sensors are connected correctly for the type of actuator being used. Also make sure there are no active inputs.
Gate Opened	Appears during Learn Mode if Open Limit is active.	Change gate to mid-travel and restart the learn process.
BlueBus or Input - Activated	Appears when active BlueBus or other external entrapment sensor input is preventing gate motion.	Ensure all sensors are connected correctly and properly aligned. Ensure all inputs are programmed correctly.
Hard Shut Down	Appears when Dynamic and/or Static sensors have two consecutive trips.	Press the Reset/Hard Shut Down button to clear the trip and re-enable gate operation.
Overload	Appears when Motor 1 or Motor 2 over-current.	Ensure motors are connected properly and there is no obstruction to gate movement.
Slide Requires Min 2 Sensors!	Appears when there are not at least two external entrapment sensors programmed and installed on a Slide Gate.	Ensure all sensors are connected correctly and functional. Does not appear on Swing gates.
BlueBus Error!	Appears when previously learned numbers and type of BlueBus sensors change.	Correct wiring/number of sensors and redo the learn procedure for the operator.
Scanning BluBus - Prs Disp to Cncl	Appears when initial BlueBus learn procedure is in process.	Pressing the Display button will postpone the scan and remain in Learn Mode.
Min 2 Sensor for Slide Gate!	Appears when there is no external entrapment sensors programmed and installed for a SLIDE GATE system.	To satisfy UL requirements for slide gates, at least two external entrapment sensors should be connected to the slide gate control board and appropriately programmed.

## SECTION 15: ACCESSORY CONNECTIONS

This section describes the accessory functions, connections, and wiring for the 1050 control board. See FIGURE 15-1 (below) for a visual representation of all the accessory inputs and outputs, and the following pages for a description of I/O functions and pin designations.



**FIGURE 15-1: 1050 CONTROL BOARD ACCESSORY CONNECTIONS**

### 15.1 OUTPUT CONNECTORS

#### OUT 1 / OUT 2 (1-6):

Individual, isolated relays provide dry contacts for switching accessories based on programming of the "Auxiliary IO" function. These outputs are programmed in the "FUNCTION / Auxiliary I/O" menu.

#### OUT 1

PIN 1 = N.C. (Normally Closed)  
 PIN 2 = Com (Common)  
 PIN 3 = N.O. (Normally Open)

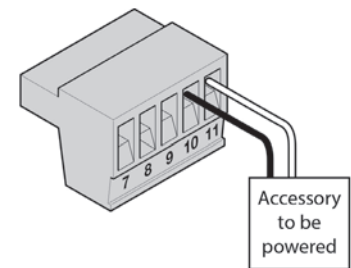
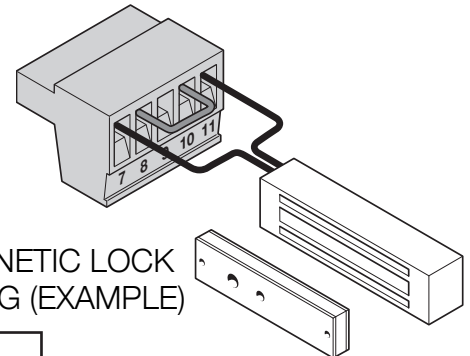
#### OUT 2

PIN 4 = N.C. (Normally Closed)  
 PIN 5 = Com (Common)  
 PIN 6 = N.O. (Normally Open)

#### MAGNETIC LOCK (7-11):

- Provides fused power (1.85A max) and isolated relay dry contacts for electrically powered and maintained magnetic locks.
- This connection is used to install the magnetic lock. Consult lock manual for specifics on installation and wiring.
- The output time for magnetic lock activation/deactivation may be adjusted from 0 to 5 seconds.
- When the control board is in standby mode, power is still present at terminals 10 and 11. If standby mode is used (especially in a solar application) and a magnetic lock is not used, terminals 10 and 11 may be used to provide power to other accessories.

PIN 7 = N.C. (Normally Closed)  
 PIN 8 = Com (Common)  
 PIN 9 = N.O. (Normally Open)  
 PIN 10 = GND (Ground)  
 PIN 11 = V+\* POWER OUT



#### \*NOTES:

The output voltage of terminal 11 is the same as the highest incoming voltage (on battery OR Main DC Power) to the control board.

#### EXAMPLES:

- If you are using a 12VDC battery to power the control board connected to the Battery input, and the voltage of the battery is 13.5VDC - terminal 11 will have a 13.5VDC output.
- If you are using a power supply input of 32VDC to the control board connected to the Main DC Power input - terminal 11 will have a 32VDC output.
- If you are using a power supply connected to Main DC Power (at 32VDC) and also using a battery connected to the Battery input (at 13.5VDC) - terminal 11 will have an output of 32VDC.

### LAMP (12-13):

- Provides fused power (1.85A max) to drive a flashing warning lamp to indicate gate operation.
- This output is active when the gate is operating (Opening and Closing).
- Lamp Delay sets the amount of time the lamp accessory output is activated prior to gate movement. Settings from 0 to 5 seconds with a step of 0.5 seconds.

PIN 12 = LAMP PIN 13 = GND (Ground)
--

### ALARM (14-15):

- Provides fused power (0.5A @ 12VDC) to drive an alarm siren to signal the occurrence of a hard shutdown, caused by 2 consecutive entrapment events (signals).
- This alarm output is reset by pressing the "Reset Hard Shutdown" button on the front panel or activating the "FIRE" input.

PIN 14 = ALARM PIN 15 = GND (Ground)
---

### 24VDC POWER OUTPUT (20-21):

- This power output is located along the lower strip of input connectors at pins 20 and 21.
- Pin 20 outputs a +24 Volts DC current, which is regulated and turns off when the control board goes into sleep mode (power saving mode).
- This output may be used to power accessories that are required to power-down when board enters power saving mode. This is primarily beneficial for solar powered configurations where it is desirable to reduce power consumption.

PIN 20 = +24VDC Regulated PIN 21 = GND (Ground)
--

## 15.2 INPUT CONNECTORS

### AUXILIARY INPUTS 1 & 2 (16-19):

- These digital inputs may be connected to the digital outputs of accessories and programmed to activate or control the gate operator in a number of different modes.
- Shorting the pins through a dry contact activates the programmed settings for these inputs.
- These inputs are programmed in the “FUNCTION Auxiliary I/O” menu.

PIN 16 = In1 (INPUT 1)
PIN 17 = GND (Ground)
PIN 18 = In2 (INPUT 2)
PIN 19 = GND (Ground)

### SAFETY (LOOP) INPUT (22-23):

- Dry contact input that can be programmed for an inductive loop or photo-eye detector.
- Shorting the Safety Input (22) to GND reverses a closing gate to the full open position. The opened gate is held opened for as long as the input is active.
- This input is not for external entrapment sensors.

PIN 22 = Safety
PIN 23 = GND (Ground)

### SHADOW (LOOP 1) INPUT (24-25):

- Dry contact input that can be programmed for an inductive loop or photo-eye detector.
- Shorting the Shadow Input (24) to GND maintains an OPEN gate fully open and a CLOSED gate fully closed until deactivated.
- Setting the Shadow Input to “Photo Mode” causes the opening gate to stop, then reopens the gate when the Shadow Input is deactivated.

PIN 24 = Shadow
PIN 25 = GND (Ground)

### ENTRAPMENT (LOOP 2) INPUT (26-27):

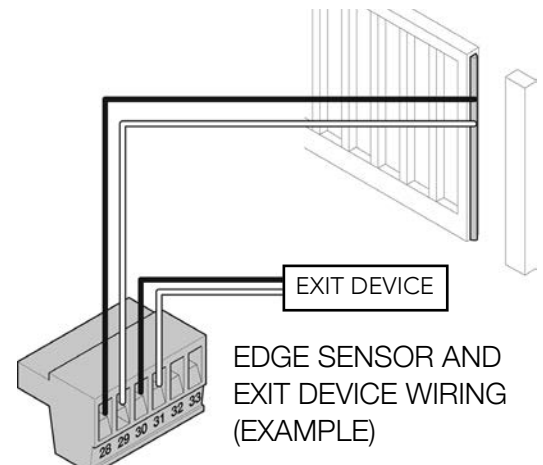
- Dry contact input that can be programmed for an inductive safety loop or photo-eye detector.
- Shorting the ENTRAP input (26) to GND while the gate is opening cause the gate to close to the fully closed position.
- This input is not for external entrapment sensors.

PIN 26 = Entrap
PIN 27 = GND (Ground)

### EDGE INPUT (28-29):

- The EDGE input may be configured as a monitored ANALOG input, or DIGITAL (NC or NO) input.
- The EDGE sensor input is intended for ANSI/UL 325 listed gate edge sensors to protect against entrapment and hazardous pinch points along the moving edge of the closing gate.
- Additional options are available to declare if the edge is protecting the open or close direction, and the input must measure 8.2K - 10K Ohms.
- When the input is activated it stops the gate regardless of direction of travel, momentarily reverses it then stops.

PIN 28 = EDGE  
PIN 29 = GND



### EXIT INPUT (30-31):

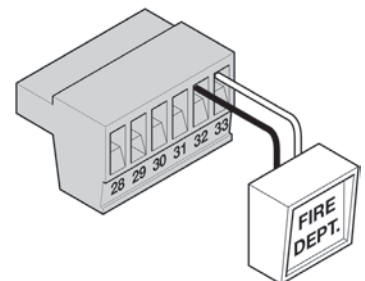
- The EXIT sensor input is provided to activate to open the gate, or re-open a closing gate, upon sensing an exiting vehicle.
- This is a dry contact input for a vehicle exit sensor.
- Shorting the EXIT input to GND opens gate from the closed position and holds gate open with maintained input or reverses gate if closing.

PIN 30 = EXIT  
PIN 31 = GND

### FIRE INPUT (32-33):

- Dry contact input for a fire department control switch.
- Shorting the Fire input (32) to GND opens the gate and holds the gate open until control switch is deactivated.
- Auto-close is disabled when this input is activated. Also clears hard shutdown.

PIN 32 = FIRE  
PIN 33 = GND



FIRE DEPT. INPUT WIRING (EXAMPLE)

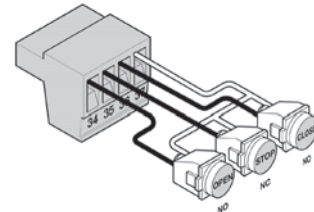


### GUARD STATION INPUT (34-37):

- With the Guard Station switches installed, the user can operate the gate by pushing the respective buttons for the command that is desired.
- Gate Open and Close are controlled by NORMALLY OPEN (NO) and Stop is controlled by NORMALLY CLOSED (NC) momentary switches.
- OPEN: (34) Dry contact input for a guard station open switch. Momentarily shorting the Open input (34) to GND opens the gate to the full open position with the subsequent auto-close feature enabled.
- STOP: (35) Dry contact input (Normally Closed) for a guard station stop switch. Momentarily opening the Stop input (35) stops the opening gate at its current position. While this input is activated, all other inputs are disabled and are not functional.
- CLOSE: (36) Dry contact input for a guard station close switch. Momentarily shorting the Close input (36) to GND closes the gate (master and slave).
- The FAIL SAFE connector which is shorted at the factory with a jumper (pins 35 & 37, Normally Closed NC), may be wired in parallel with the Fire input to release the motor in the event of an emergency entry by the fire department during a power failure.

PIN 34 = OPEN
PIN 35 = STOP
PIN 36 = CLOSE
PIN 37 = GND

GUARD STATION INPUTS  
WIRING (EXAMPLE)



**NOTE:** If the guard station inputs are not used, STOP (35) and GND (37) need to be tied together.

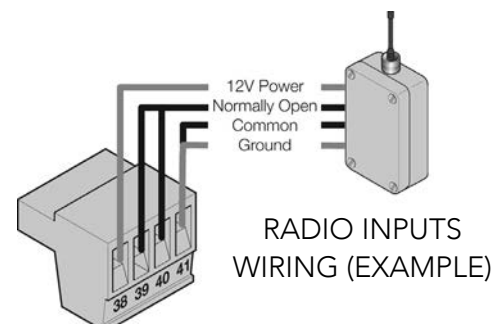
### RADIO INPUTS (38-41):

- Customer supplied radio receiver can enable the gate operator to be operated via remote (wireless key-card readers or user remote controls).
- Open (39) is a dry contact input for an accessory radio open switch. Momentarily shorting the Open input (39) to GND (41) opens the gate to the full open position with the subsequent auto-close feature enabled.
- Close (40) is a dry contact input for an accessory radio close switch. Momentarily shorting the Close input (40) to GND (41) closes the gate.
- Connecting the Open (39) and Close (40) pins together with the relay of a receiver enables step by step gate control. This configuration allows a single button to control the gate in the following sequence:

- 1st Press = Gate **Open**
- 2nd Press = Gate **Stop**
- 3rd Press = Gate **Close**
- 4th Press = Gate **Stop**

PIN 38 = 12V
PIN 39 = OPEN
PIN 40 = CLOSE
PIN 41 = GND

**NOTE:** 12VDC Power (PIN 38) is OFF when board enters Standby Mode. Power for external radio receivers should be sourced from Pin 11 in a solar application when the Standby mode is turned on.



RADIO INPUTS  
WIRING (EXAMPLE)

### MASTER/SLAVE LINK CONNECTOR (38-41):

The Master/Slave Link connector is meant to be used only with 24V commercial systems, and is used to control another 1050 control board as a slave.

## 15.3 COMMUNICATIONS BUSES

The 1050 control board communication bus is described in this section.

### OVIEV CONTROLLER:

- The Oview controller is an optional programming and diagnostic tool, which plugs directly into the 1050 control board using an RJ45 network cable and is part of the Nice "Opera" control system.
- The Oview controller can be used in "stand-alone" mode via its front-panel keypad.
- This unit, when matched with the optional Oview Bluetooth module (OVBT; see below) enables remote control and management of the gate controller.
- Remote control functions include most of the programming functions that are available at the front panel LCD on the control board.



OVIEV  
CONTROLLER

### OVBT MODULE:

The optional OVBT Bluetooth module is used with the Oview controller for localized wireless control of the gate controller.



OPTIONAL  
OVBT  
MODULE

## SECTION 16: EMERGENCY VEHICLE ACCESS

The 7251 and 7351 gate operators both feature a quick release system designed to allow the gate to be manually opened under different operating conditions (see next page).

However, it is the responsibility of the gate owner to make sure that the gate operating system is compliant with all local codes and regulations and that access for emergency vehicles is assured.

- During normal operation, emergency vehicles access the gate by using an emergency vehicle access device installed on your gate system. The type of device that is used in your community is dependent on local city codes. These devices may include (but are not limited to) Fire Department lock boxes, Click-2-Enter radio receivers, strobe light sensors, siren sensors, etc.
- Check with your installer to determine if your gate system is equipped with a back-up power system. In the event of a primary (AC) power failure and a back-up system (DC) power failure (low charged or dead batteries for example), the system must have a quick release system to allow the gate to be manually operated. The release device must be accessible from either side of the gate and must be present so that emergency personnel can gain access through the gate under this condition.
- The 7251 and 7351 gate operators are equipped with a manual release system that will allow the gate to be pushed open in the event of a power outage or equipment failure. In the event of a power failure, the emergency vehicle access device may not be functional because the gate operator is not powered.
- For manual fail-safe gate operation, turn power to the operator OFF. If a backup power system is in use, be sure that this power is turned OFF also or disconnected. Once power is OFF, the gate can be manually operated, by releasing the actuator mechanical release described on the next page.

**NOTE:** DC powered back-up systems are optional and your gate system may or may not be equipped with one. Check with your installer to determine if your gate system is equipped with a back-up power system.

## SECTION 17: MANUAL QUICK RELEASE OPERATION

The quick release will allow for manual gate operation. Before disengaging the quick release make sure to disable power from the control board by unplugging the main and battery power terminals.



### CAUTION!

BEFORE MANUALLY OPENING THE GATE, VERIFY THAT POWER HAS BEEN SHUT OFF.

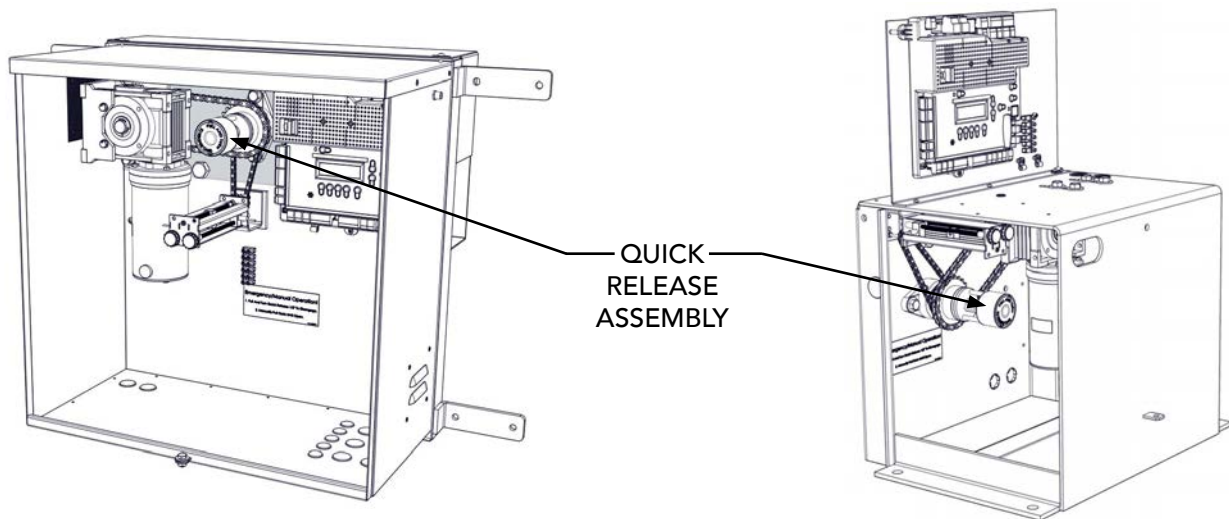


FIGURE 17-1: 7251 (L) AND 7351 (R) QUICK RELEASE ASSEMBLY LOCATION

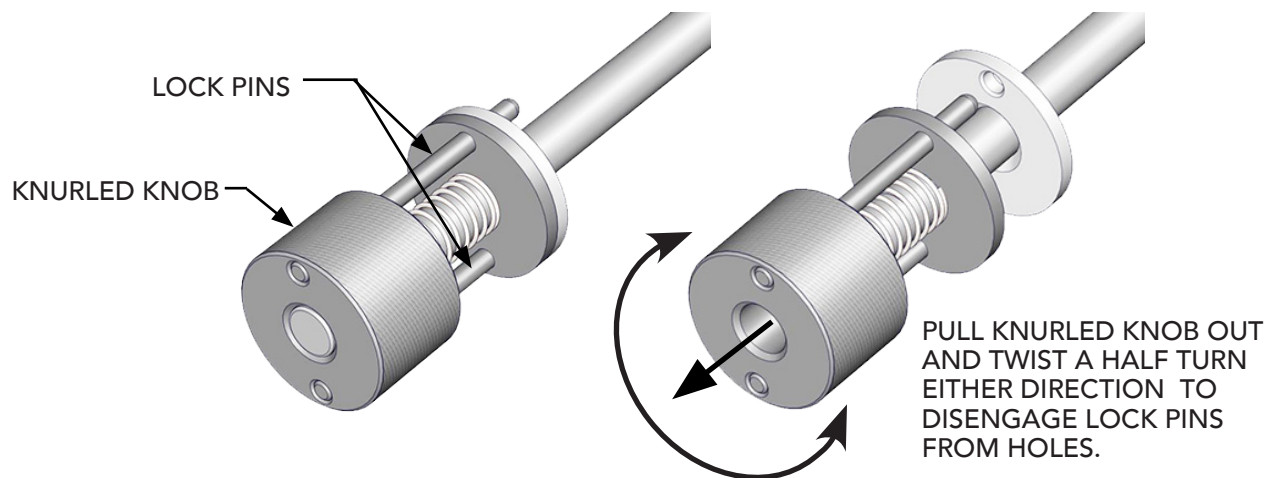


FIGURE 17-2: QUICK RELEASE ASSEMBLY ENGAGED (L) AND DISENGAGED (R)

Locate the quick release assembly (FIGURE 17-1) and disengage by pulling the knurled knob until the lock pins separate from the sprocket and turning in either direction a half turn (FIGURE 17-2).

**NOTE:** If the gate or motor is in a bind the chain could be tight and cause increased pressure on the quick release assembly. You may not be able to pull the handle until the pressure is relieved.

Once the quick release is disengaged you can manually move the gate.

When ready to reengage the quick release simply turn the handle until the pins seat back into the sprocket and lock into place.

**SECTION 18: APPENDIX**

**1.1 CALCULATING SOLAR REQUIREMENTS**

**28 CALCULATING SOLAR REQUIREMENTS**

1. Estimate the gate traffic measured in open/close cycles per TABLE 25-1.

**TABLE 28-1: SOLAR PANEL WATT/CYCLE CHART**

DAILY CYCLES	1-10	1-20	1-40	1-60	1-80	80+
5 Watt Solar Panel	X					
10 Watt Solar Panel		X				
20 Watt Solar Panel			X			
30 Watt Solar Panel				X		
40 Watt Solar Panel (requires regulator)					X	
1.5 Amp Battery Charger					X	
10 Amp Battery Charger						X

**NOTES:**

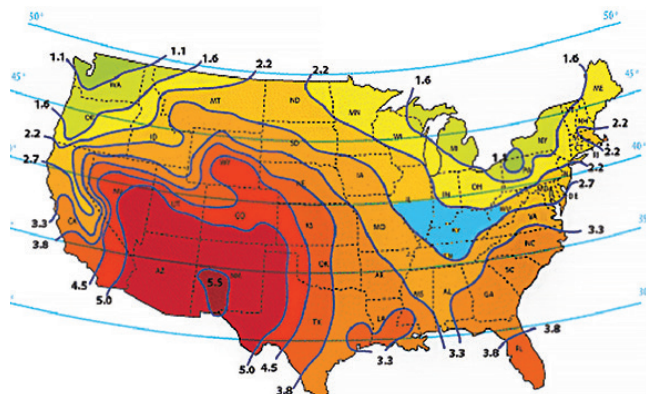
TABLE 28-1 should be used as only a guide. Alternative gate operator configurations may reduce or increase the daily power usage.

For dual gate operators, double the amount of required solar wattage.

If a standard electrical outlet is not available for trickle charging, a licensed electrician will be required for proper electrical hookup.

**IMPORTANT!** Maximum regulator output is 1.5A. If installation requires larger than a 20W solar panel – an off-board regulator should be used and connected directly to the battery.

2. Estimate the amount of sunlight available per the Solar Map (right).
3. Use the solar wattage calculator found on the HySecurity website at <https://www.hysecurity.com/operators-accessories/solar/> to determine battery and solar panel size needed to serve the installation in question.



## 18.1 MAINTENANCE SCHEDULE

<b>MAINTENANCE SCHEDULE</b>			
<b>Component</b>	<b>Maintenance Action</b>	<b>6 Months</b>	<b>Annually</b>
<b>ALARM</b>	Activate the primary (inherent) reverse system by blocking the gate with a solid object. The gate should reverse momentarily then stop. Restart the gate and block again with a solid object. The gate should reverse momentarily, then stop, and go into hard shutdown with an alarm.	<b>X</b>	<b>X</b>
<b>BACKUP SYSTEM</b>	If operator is equipped with option DC backup system, check to be sure the system opens the gate upon loss of AC power.	<b>X</b>	<b>X</b>
<b>BATTERY</b>	If operator is equipped with option DC backup system, check the batteries for any leakage or loose connections. Batteries should be replaced every two years.	<b>X</b>	<b>X</b>
<b>FIRE DEPT</b>	Check emergency vehicle access device for proper operation.	<b>X</b>	<b>X</b>
<b>GATE</b>	Inspect for damage.		<b>X</b>
<b>LOOP(S)</b>	Check vehicular reverse and shadow loops for proper operation.	<b>X</b>	<b>X</b>
<b>RELEASE</b>	Check manual release for proper operation.	<b>X</b>	<b>X</b>
<b>MOUNTING HARDWARE</b>	Check screws and nuts.		<b>X</b>
<b>PHOTO EYES</b>	Use a hand held cylinder (approx. 2" [5cm] diameter and 12" [30cm] in length) and pass between photo eye line of sight. Pass cylinder through line of sight near transmitter, pass cylinder through line of sight near receiver, pass cylinder through line of sight halfway between transmitter and receiver. Gate should stop and reverse on detection. Check for humidity, oxidation, and foreign bodies (such as insects) and remove from chassis. Clean housings and front plate. Do not use alcohol, benzene, abrasives or other cleaning products. Use only a slightly dampened soft cloth to clean transmissive panels or lenses.	<b>X</b>	<b>X</b>



### 18.2 SYSTEM TROUBLESHOOTING

SYSTEM TROUBLESHOOTING	
Problem	Possible Solution
Gate opens a short distance, then stops and reverses.	<ul style="list-style-type: none"> <li>• Check the UL/Edge input on the gate controller.</li> <li>• Ensure limit LEDs are functioning properly.</li> <li>• Check for obstructions.</li> <li>• Adjust Force Settings.</li> </ul>
Gate opens but will not close.	<ul style="list-style-type: none"> <li>• Check the input LEDs. Any ON will hold the gate open and indicates a problem with a keying device. Exception is "STOP".</li> <li>• Check the external safety devices. Any activated safety devices will hold the gate open and indicates a problem with the safety device.</li> <li>• Check limit LEDs. Orange LED indicates both open/close at same times. Check limits for failures. Replace as necessary.</li> <li>• Check the loop detectors. Any activated safety devices can hold the gate open and indicates a problem with the loop detector or ground loop.</li> </ul>
Battery backup system will not open gate upon AC power outage.	<ul style="list-style-type: none"> <li>• Check if backup system is set to open gate automatically or requires an input to open (Functions&gt;Advanced).</li> <li>• Check batteries for proper voltage. Replace if necessary (Display&gt;Battery Volt).</li> <li>• Check incoming Main DC Power (Display&gt;Main Volt.).</li> </ul>
Hard Shutdown (two back to back obstructions) LED blinking, Buzzer sounds for 5 minutes.	Clear any obstructions from the path of the gate. Press RESET to clear (or hard reset button).
Gate opens by itself.	Check accessory inputs and clear them as necessary. Also check to ensure the Event programming has not been set to open the gate at a particular time.
1050 display shows repeated "Nice Apollo 1050" when a button is pressed.	Check battery voltage and replace if necessary (Display>Battery Volt).
Gate moves in direction opposite expected.	Reverse the actuators Red and Black motor wires connected to the 1050 control board.
Limit LED glows green when gate is closed, and red when open.	Reverse the actuators Orange and White encoder wires connected to the 1050 control board.

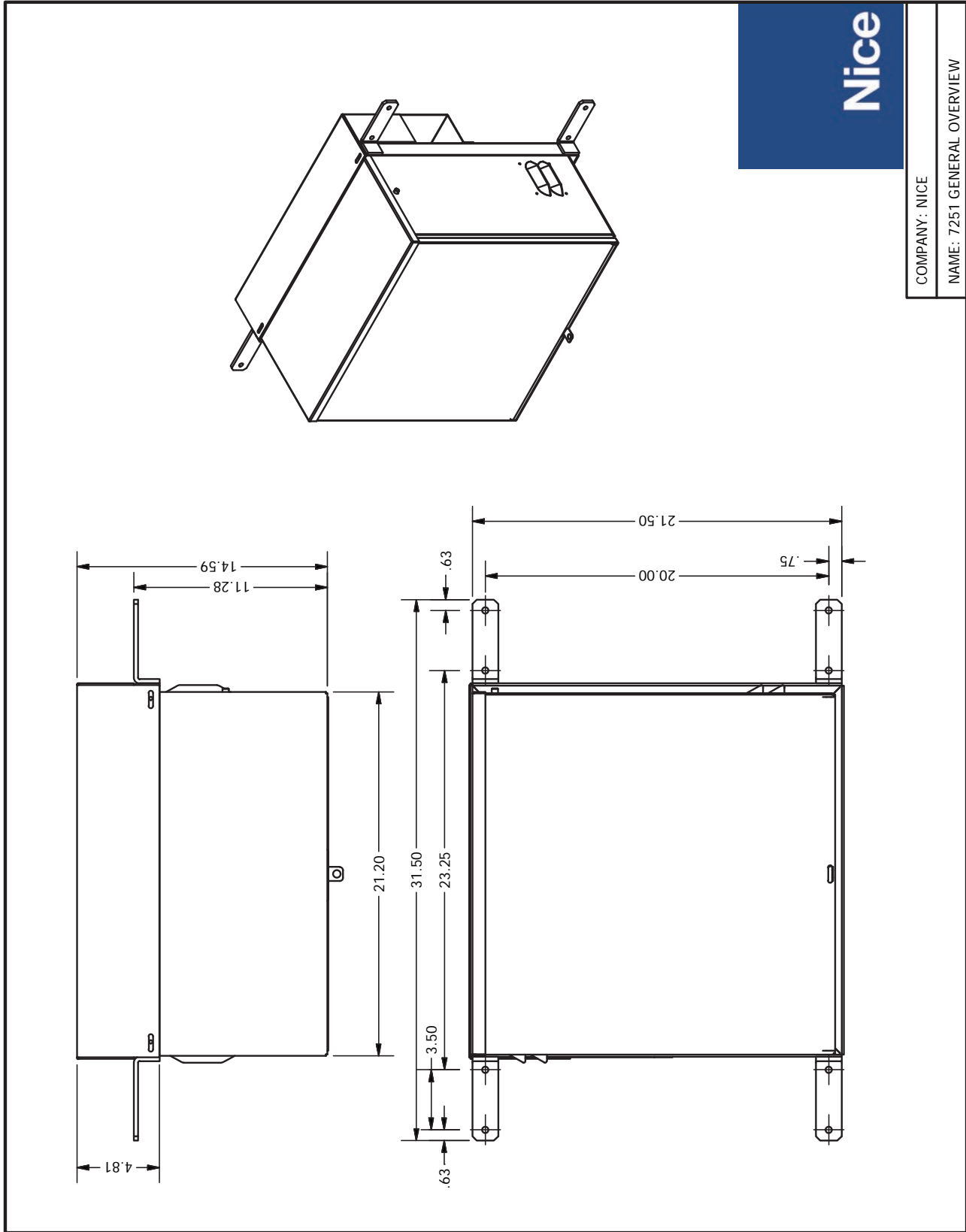
## 18.3 INSTALLATION CHECKLIST

- The installer and customer must each ensure that all of the following actions have been completed.
- Left box is for installer check off and the right box is for customer check off.

INSTALLATION CHECKLIST	
<input type="checkbox"/> <input type="checkbox"/>	The gate has been checked to make sure it is level and moves freely in both directions.
<input type="checkbox"/> <input type="checkbox"/>	Potential pinch areas have been guarded so as to be inaccessible OR have contact and/or non-contact obstruction sensing devices installed.
<input type="checkbox"/> <input type="checkbox"/>	The installer has installed one or more contact or non-contact obstruction sensing devices, in compliance with UL325 requirements for this installation.
<input type="checkbox"/> <input type="checkbox"/>	If pedestrian traffic is expected, a separate pedestrian gate has been installed, a minimum of seven feet from the gate. The customer has been informed that all pedestrian traffic must use the pedestrian gate.
<input type="checkbox"/> <input type="checkbox"/>	Warning signs have been installed on each side of the gate in highly visible locations. The customer has been informed that these signs must remain at all times.
<input type="checkbox"/> <input type="checkbox"/>	There are no controls installed within 6 feet of the gate.
<input type="checkbox"/> <input type="checkbox"/>	The installer has properly adjusted the obstruction sensing feature and has tested the gate to make sure that the gate stops and reverses a short distance with minimal resistance applied (Approximately 40 lbs. on a swing gate), at the end of the gate.
<input type="checkbox"/> <input type="checkbox"/>	The installer has instructed the customer in the proper use of the gate operator and reviewed all of the operational functions, obstruction sensing devices, warning beeper and reset, etc.
<input type="checkbox"/> <input type="checkbox"/>	The installer has instructed the customer in the proper way of disconnecting the operator. Manual disconnect must never be used while the gate is in motion. The power must be turned off and battery disconnected before disengaging the operator.
<input type="checkbox"/> <input type="checkbox"/>	The installer has reviewed all safety instructions with the customer, and has left the safety instructions and owner's manual for their reference.
<input type="checkbox"/> <input type="checkbox"/>	The installer has answered any questions the customer has regarding the operation of the gate operator and gate operator safety precautions.
<input type="checkbox"/> <input type="checkbox"/>	The installer has explained to the customer that a regular maintenance schedule for both the gate and the gate operator is recommended.
<input type="checkbox"/> <input type="checkbox"/>	The installer has given the control box key to customer and explained to the customer how to manually open the gate in the event of a loss of power.

**18.4 PART DRAWINGS**

**7251 POST MOUNT CHASSIS DIMENSIONS**

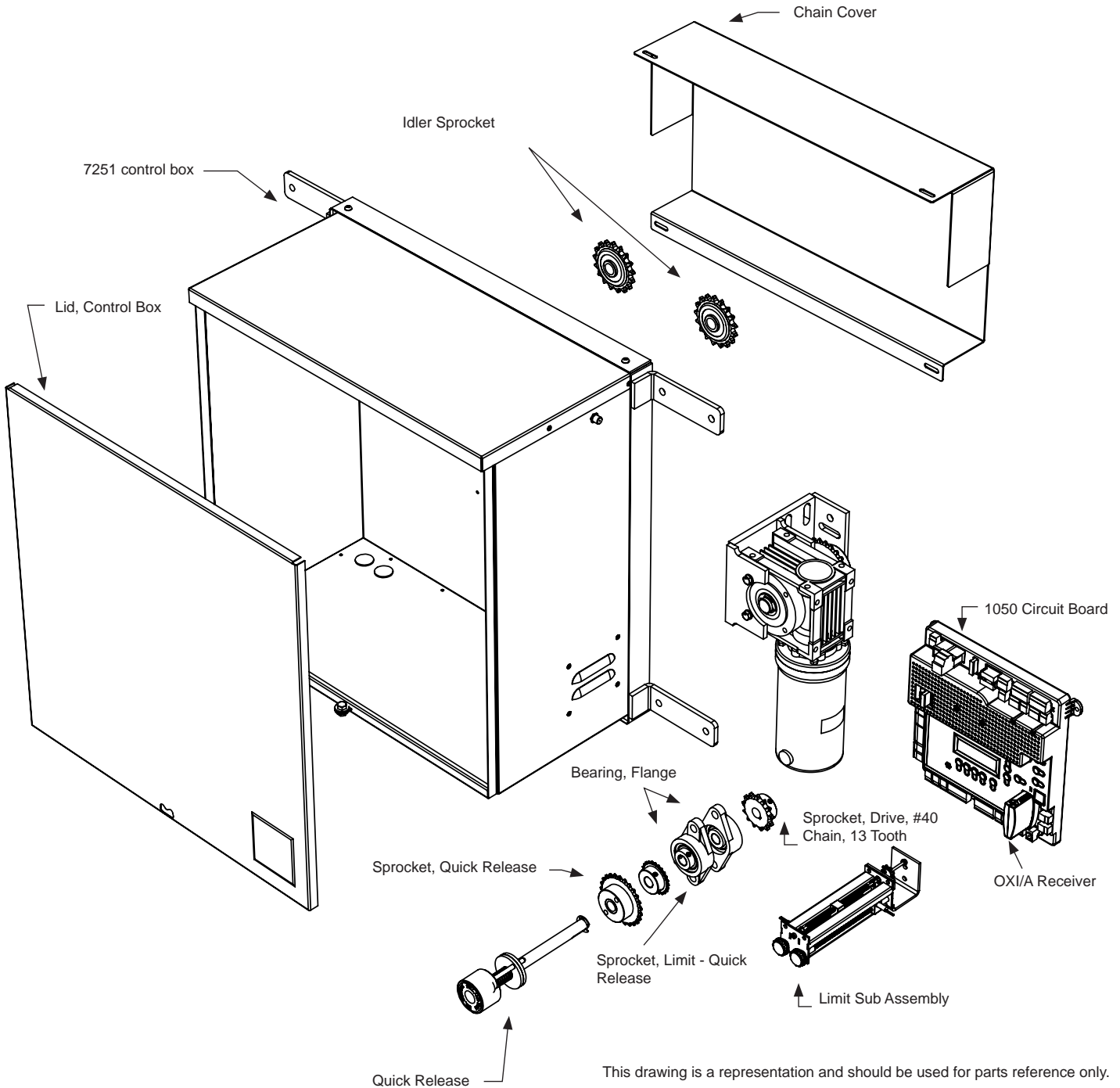


COMPANY: NICE
NAME: 7251 GENERAL OVERVIEW

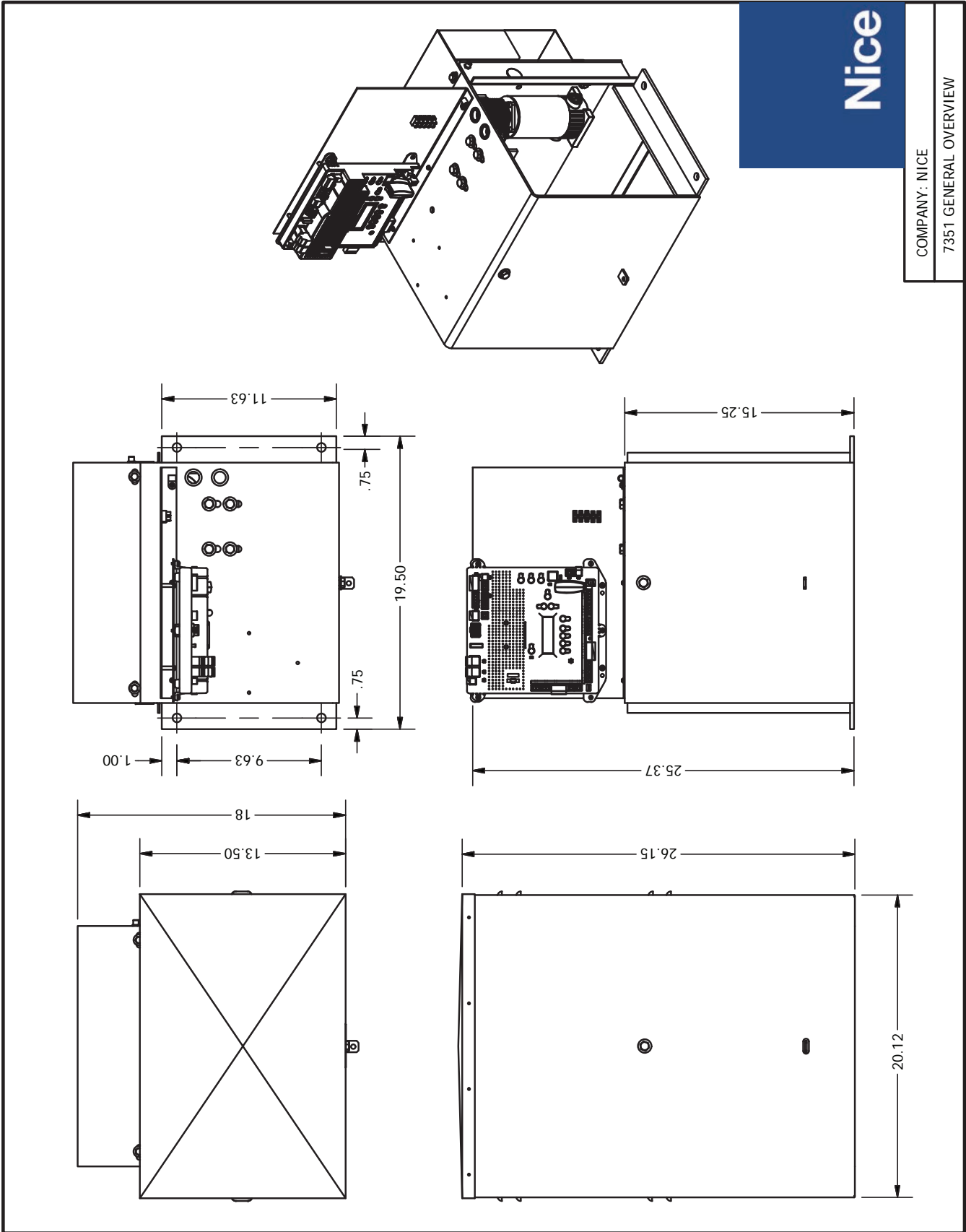
# 7251 / 7351 Slide Gate Operator INSTALLATION AND PROGRAMMING MANUAL



## 7251 POST MOUNT CHASSIS, PARTS, AND 1050 CONTROL BOARD

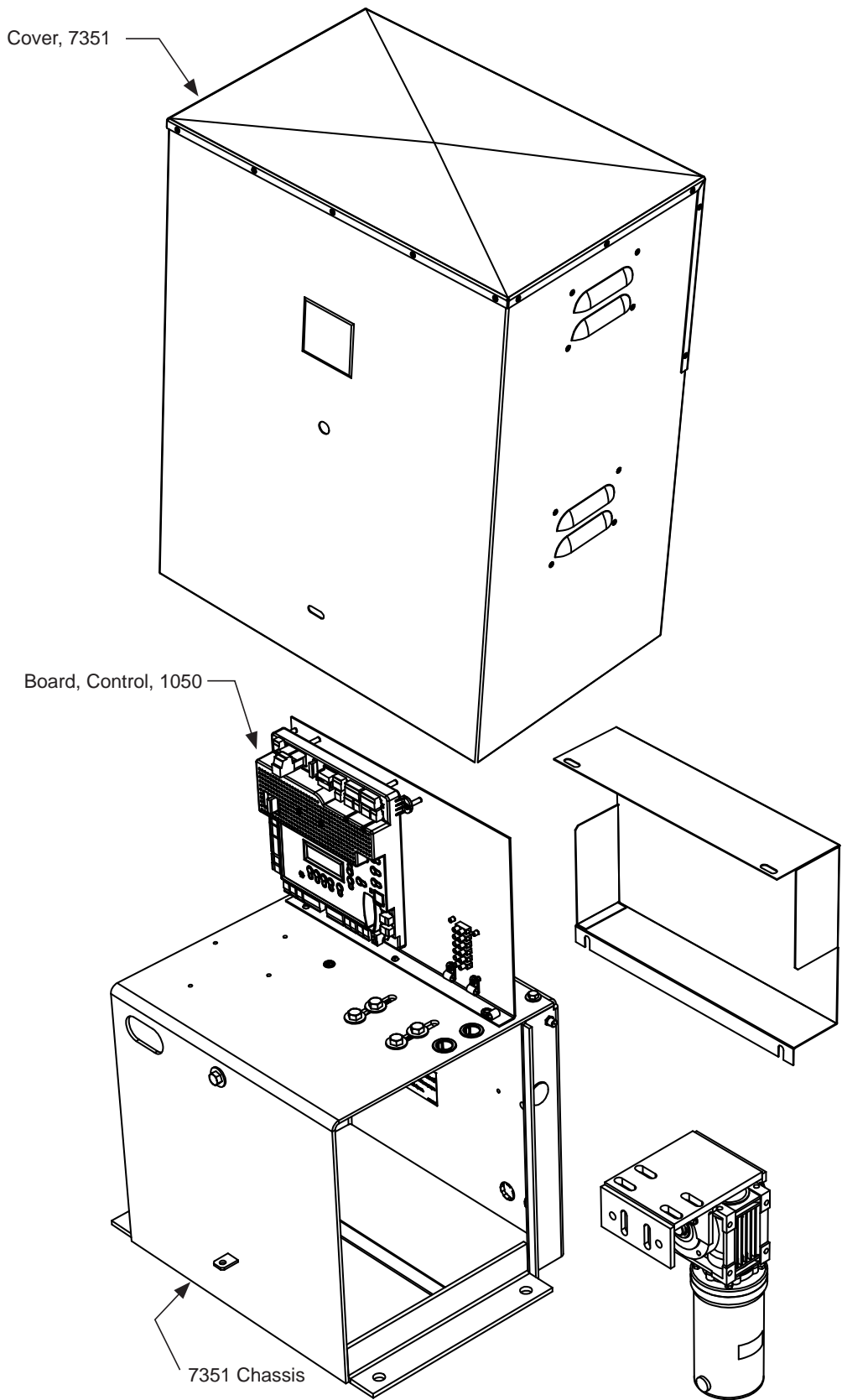


**7351 PAD MOUNT CHASSIS, PARTS, AND 1050 CONTROL BOARD**



COMPANY: NICE
7351 GENERAL OVERVIEW

**7351 PAD MOUNT CHASSIS, PARTS, AND 1050 CONTROL BOARD**



This drawing is a representation and should be used for parts reference only.

### 7251/7351 BASIC PARTS BOM

Part Name	Part Number	7251/7351 Models
Bearing, Flange	UCFL202	all
Board, Control, 1050	1050US	all
Chain Cover	10032590	7251
Cover, 7351	10030490	7351
Lid, Control Box	10053890	7251
Limit Sub Assembly	10040390	all
Receiver, OXI/A, Multi Channel	OXI/A	all
Release, Quick	10039790	all
Sprocket, Drive, #40 Chain, 13 Tooth	40BS13	all
Sprocket, Idler	40BB17H	7251
Sprocket, Limit, Quick Release	25B24	all
Sprocket, Quick Release	35B25	all



(This page intentional blank)

## 18.5 WARRANTY

### LIMITED WARRANTY—NICE-BRANDED PRODUCTS

#### 1. Warranty.

Hy-Security Gate, Inc. (“HySecurity”) warrants that at the time of sale, each Nice-branded gate operator product that it sells will, in all material respects, conform to the then applicable specification for the product and will be free from defects in material and manufacture.

The following additional durational warranties apply to products purchased through a distributor authorized by HySecurity to sell Nice products (“Authorized Distributor”), depending on whether (1) the product is purchased through an Authorized Distributor and (2) whether a timely and complete product registration is submitted to HySecurity.

*It is therefore important that you register your product with HySecurity, online at [www.hysecurity.com/warranty](http://www.hysecurity.com/warranty), within the 60-day period described below.*

#### 1(a) Nice-branded Products Purchased Through Authorized Distributors and Properly Registered

For any gate operator product that is purchased from an Authorized Distributor (this excludes product purchased through internet resellers or any distributor not authorized by HySecurity to sell Nice products), if the product registration is completed by the Dealer/Installer or End User within 60 days of the date of purchase, the following warranty terms will apply. HySecurity warrants that the product will remain serviceable for the following periods:

- a) Electromechanical pad-mounted Slide and Swing operators: Three years after the date of installation,
  - b) Electromechanical linear actuator Swing operators: Three years after the date of installation,
  - c) Electromechanical barrier arm operators: Three years after the date of installation,
  - d) Nice-branded accessories: Three years after the date of installation, *provided that the Three-Year warranty period in (a), (b), or (c) will not extend beyond four years from the date that the product was shipped from HySecurity.*
- The preceding warranty durations do not apply to the products or components described below (e-f), which have a shorter warranty period:
- e) Batteries: One Year from date of shipment from HySecurity.
  - f) Components subject to normal wear including, but not limited to, chains, belts, idler wheels, sprockets and fuses: One Year from date of installation.

#### 1(b) Nice Products Not Purchased Through an Authorized Distributor or Not Properly Registered within 60 Days

For any product that is not purchased from an Authorized Distributor or for which the product registration was not completed by the Dealer/Installer/End User within sixty (60) days of the date of purchase, the following **Two-Year Limited Warranty** will apply: HySecurity warrants that the product will remain serviceable for Two Years from the date that the product was shipped from HySecurity.

#### 1(c) Replacement Parts

HySecurity warrants that replacement parts (whether new or reconditioned) will remain serviceable for One Year from the date that the part was shipped from HySecurity or the remaining period of the Gate Operator warranty, whichever is longer.

#### 1(d) Limitations and Exclusions Applicable to Each of the Preceding Warranties.

The preceding warranties shall not apply to equipment that has been (1) installed, maintained, or used improperly or contrary to instructions; (2) subjected to negligence, accident, vandalism, or damaged by severe weather, wind, flood, fire, terrorism or war; or (3) damaged through improper operation, maintenance, storage or abnormal or extraordinary use or abuse. Any modification made to products will void the warranty unless the modifications are approved in writing by HySecurity in advance of the change (this exclusion does not apply to normal installation of approved accessories and/or protective devices or sensors). It is the responsibility of the Distributor, Dealer/Installer, or End User to ensure that the software version in the product is maintained to the latest revision level.

The preceding warranties do not extend to accessories when those items carry the name plate of a manufacturer other than HySecurity or Nice and they are not a part of the base model. HySecurity disclaims all warranties for such accessory components, which carry only the original warranty, if any, of their original manufacturer. HySecurity hereby assigns its rights under such manufacturer warranties—to the extent that such rights are assignable—to Buyer.

*This warranty gives you specific legal rights, and you may also have other rights which vary from State to State.*

These warranties extend to HySecurity’s Distributors, to the Dealer/Installer, and to the first End User of the product following installation. They do not extend to subsequent purchasers. **2. Limitation of Certain Implied Warranties and Exclusion of Other Warranties.**

The warranties contained in Section 1 are the exclusive express warranties given by HySecurity and supersede any previous, contrary or additional representations, whether oral or written. Any prior or extrinsic representations or agreements are discharged or nullified. ANY IMPLIED WARRANTIES, INCLUDING ANY WARRANTY OF MERCHANTABILITY OR WARRANTY OF FITNESS FOR A PARTICULAR PURPOSE, ARE LIMITED IN DURATION TO PERIOD OF THE APPLICABLE EXPRESS WARRANTY FOR THE PRODUCT OR COMPONENT. HYSECURITY HEREBY DISCLAIMS AND EXCLUDES ALL OTHER WARRANTIES—INCLUDING ANY LIABILITY FOR INFRINGEMENT, AND ANY WARRANTIES OTHERWISE ARISING FROM COURSE OF DEALING, COURSE OF PERFORMANCE, OR USAGE OF TRADE.

Some states do not allow limitations on how long an implied warranty lasts, so the above limitation may not apply to you.

#### 3. Buyer’s Exclusive Remedies for Any Nonconformity.

If a Nice product fails to conform to the warranties in Section 1, Buyer must notify and order replacement parts from the Distributor through which the product was purchased within a reasonable time and in no event more than thirty (30) days after the discovery of the nonconformity. HySecurity will investigate and, in the event of a breach, will provide, within a reasonable period of time, one of the following: (1) repair or replacement of any nonconforming products or components or (2) refund of the price upon return of the nonconforming items. HySecurity reserves the right to supply used or reconditioned material for all warranty claims. HySecurity will not be considered to be in breach of or default under this Warranty because of any failure to perform due to conditions beyond its reasonable control, including any force majeure. This warranty does not cover any incidental expenses, including fines or penalties, temporary security, labor, shipping, travel time or standby time that are incurred for inspection or replacement of any nonconforming items. As a condition of warranty coverage, warranty claims must be submitted in accordance with the procedures described on the HySecurity form, “RMA Procedures.”

THE REMEDY SELECTED BY HYSECURITY IN ACCORDANCE WITH THIS PARAGRAPH SHALL BE THE **EXCLUSIVE AND SOLE REMEDY OF BUYER FOR ANY BREACH OF WARRANTY.**

#### 4. Exclusion of Consequential and Incidental Damages.

HYSECURITY AND NICE SHALL NOT BE LIABLE FOR ANY INCIDENTAL, SPECIAL, OR CONSEQUENTIAL DAMAGES, WHETHER RESULTING FROM NONDELIVERY OR FROM THE USE, MISUSE, OR INABILITY TO USE THE PRODUCT OR FROM DEFECTS IN THE PRODUCT OR FROM HYSECURITY’S OR NICE’S OWN NEGLIGENCE. This exclusion applies regardless of whether such damages are sought for breach of warranty, breach of contract, negligence, or strict liability. This exclusion does not apply to claims for bodily injury or death.

Some states do not allow the exclusion or limitation of incidental or consequential damages, so the above limitation may not apply to you.

#### 5. Severability.

If any provision of this warranty is found to be invalid or unenforceable, then the remainder shall have full force and effect.

#### 6. Proprietary Rights.

HySecurity and Nice retain and reserve all right, title, and interest in the intellectual property rights of their products, including any accompanying proprietary software. No ownership of any intellectual property rights in the products or accompanying software is transferred to Distributor, Dealer/Installer, or End User.

#### 7. Applicable Law.

This warranty will be interpreted, construed, and enforced in all respects in accordance with the laws of the State of Washington, without reference to its choice of law principles. The U.N. Convention on Contracts for the International Sale of Goods will not apply to this warranty.

(This page intentional blank)

<b>DOCUMENT REVISIONS</b>		
<b>NAME</b>	<b>DESCRIPTION OF CHANGE</b>	<b>DATE</b>
Curtis Harvey	Rev A: Released for publication.	11/12/2019

<b>INSTALLATION INFORMATION AND SIGN-OFFS</b>
<hr/> Installation Acceptance
<hr/> Address where opener is located
<hr/> Installer name, number and address
<hr/> End user name and telephone number

**Contact us:**  
 Nice/HySecurity  
 Kent, WA 98032  
 800-321-9947  
 hysecurity.com