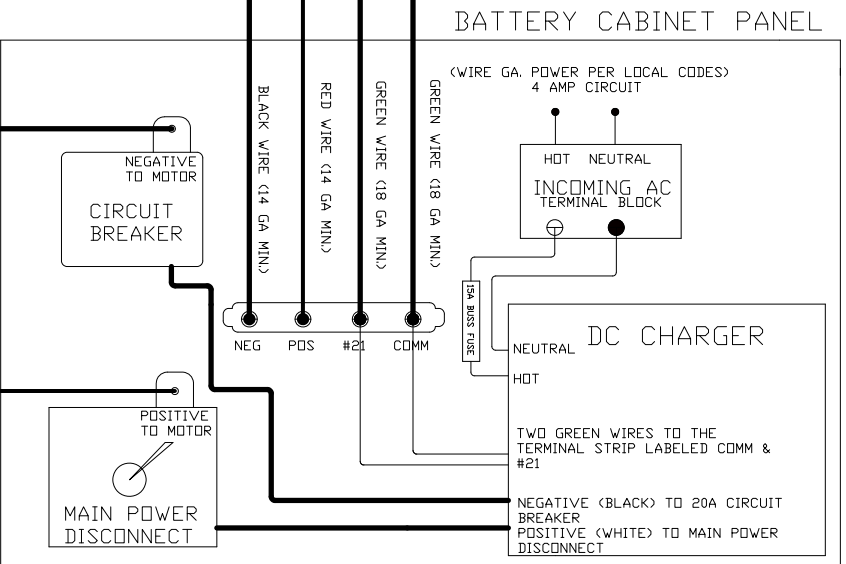


CHASSIS

BLACK WIRE - 6ga. MINIMUM FOR 1HP OR 2ga. MIN FOR 2HP CIRCUITS) 50 AMP CIRCUIT

RED WIRE - 6ga. MINIMUM FOR 1HP OR 2ga. MIN FOR 2HP CIRCUITS) 50 AMP CIRCUIT



BATTERY CABINET PANEL

(WIRE GA. POWER PER LOCAL CODES) 4 AMP CIRCUIT

DC CHARGER

TWO GREEN WIRES TO THE TERMINAL STRIP LABELED COMM & #21

NEGATIVE (BLACK) TO 20A CIRCUIT BREAKER
POSITIVE (WHITE) TO MAIN POWER DISCONNECT

HySecurity Inc. 6623 South 228th St. Kent Wa. 98032-1876
PROPRIETARY INFORMATION OF HY-SECURITY GATE INC.
This document and the information contained herein, are the confidential, proprietary, and trade secret information of Hy-Security Gate Inc. (Hy-Security) Any party receiving, accepting or retaining this document or any information contained therein solely as may be required to manufacture products or components for Hy-Security and will not provide this document or any information therein to any other party, or use it for any other purpose without the express prior written consent of Hy-Security.

DESCRIPTION
D.C. OPERATOR WIRE GUIDE

ECN NO: **D0004**

REV CHANGE DESCRIPTION

REV BY REV DATE

PART NO:

SHEET 1 OF 1