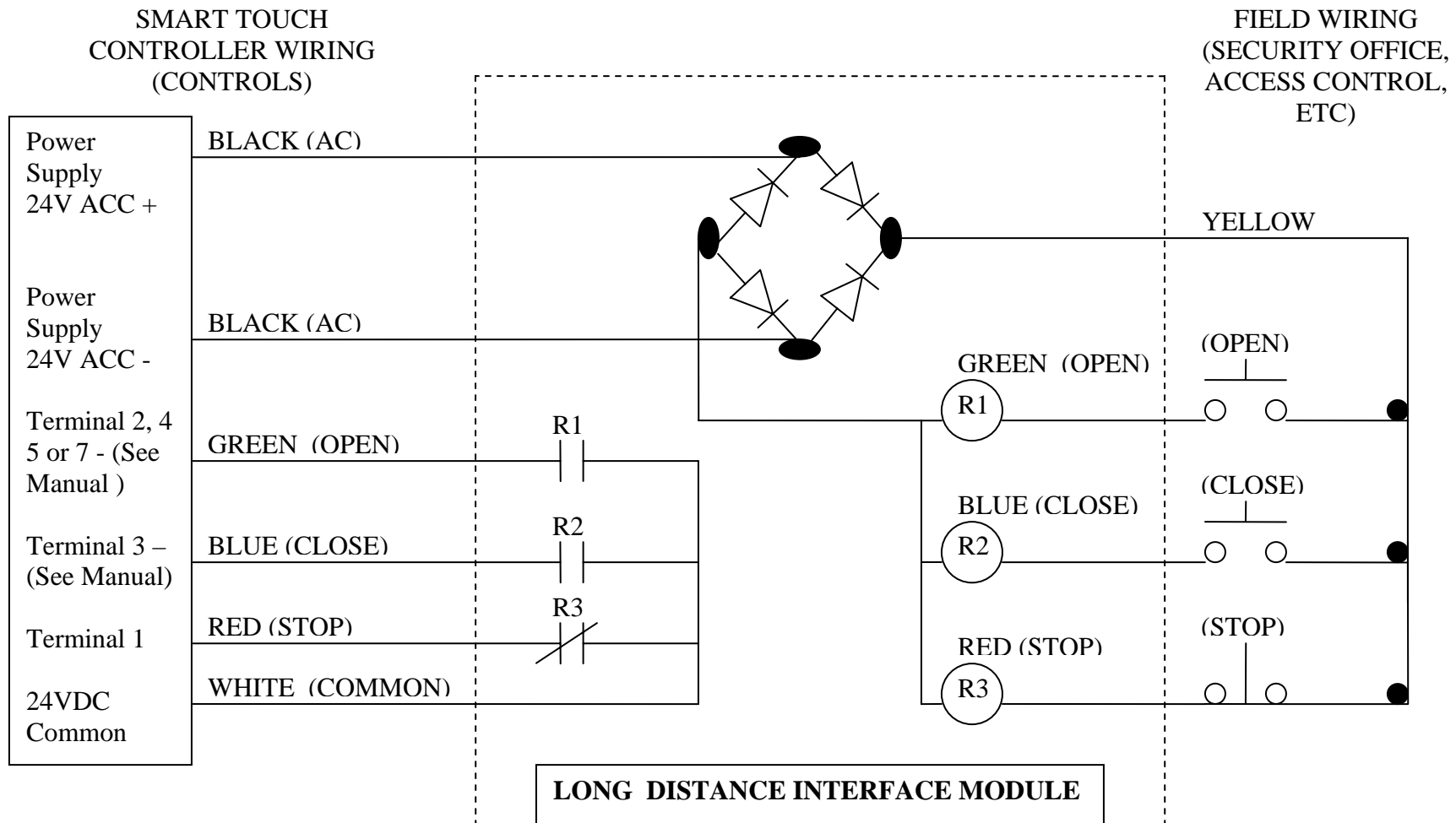


## P/N MX001162 - Long Distance Interface Schematic



**Devices shown with power applied and no buttons activated. If there is no power applied, contact R3 will be OPEN!**