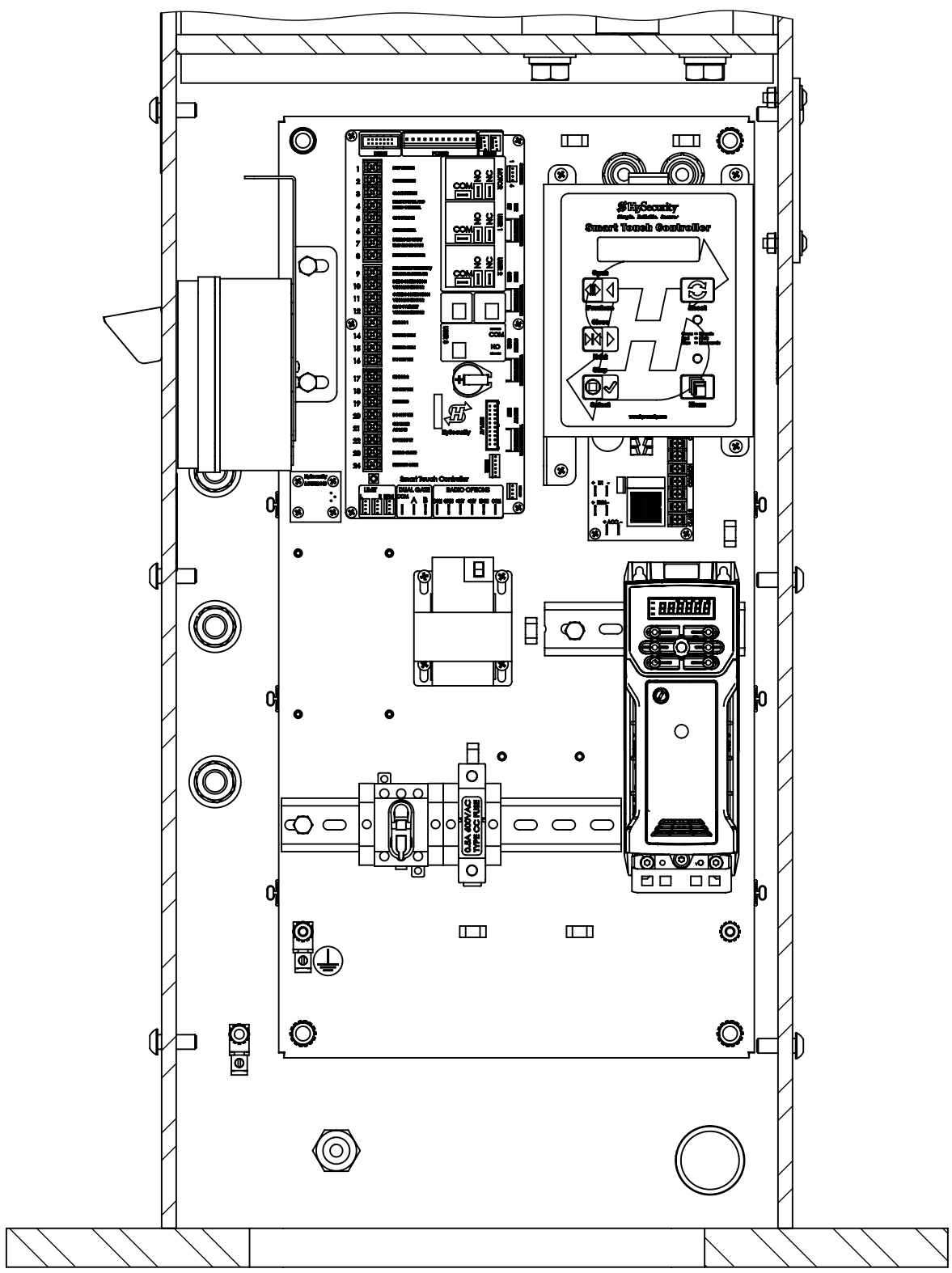


LTR	DESCRIPTION	DATE	APPRVD
B	UPDATED PANEL TO CURRENT LAYOUT.	7/17/2017	RAW



NOTE: DRAWING IS NOT TO SCALE.

 <p>HySecurity Kent, Washington</p>	DOCUMENT TITLE	DRAWN	DATE	DOCUMENT NUMBER:	REV
	<h1>SAM30-M50 ELECTRICAL PANEL LAYOUT</h1>	RAW	1/10/2012	<h1>D0443</h1>	<h1>B</h1>
		CHECKED	DATE		
		APPROVED	DATE	THIRD ANGLE PROJECTION	SHT 1 OF 1