

HyNet™ Gateway SFP 4/1

**StrongArm M30, StrongArm M50,
HydraSupply XL, HydraWedge SM50**



Installation Manual for HyNet Attachment Kit: MX3868

This document is a supplemental document that provides specific information regarding configuration of the HySecurity gate operator with installation and wiring of the HyNet Gateway. For safety considerations and information specific to your gate operator, refer to the HySecurity gate operator's product manuals.

HyNet Components

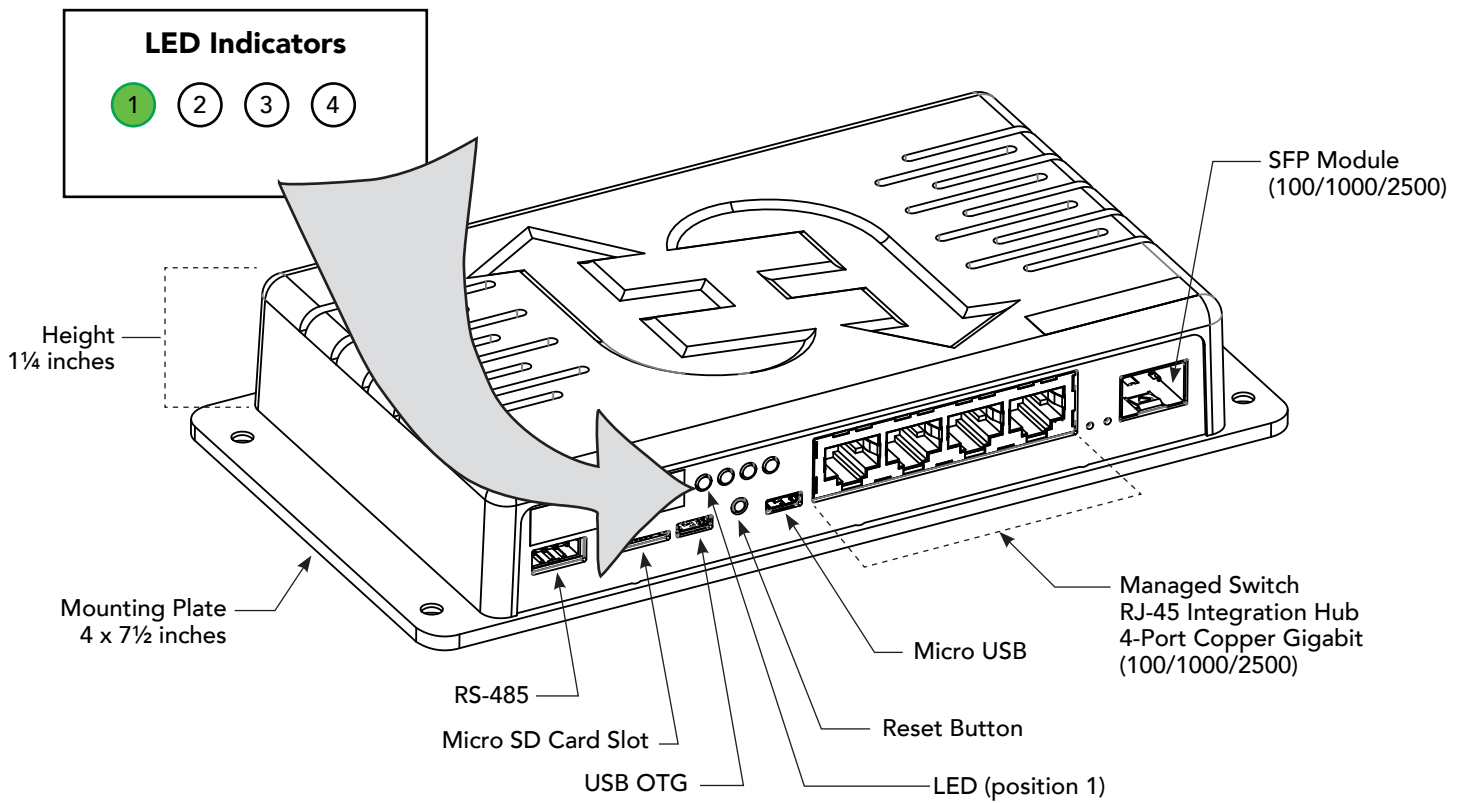
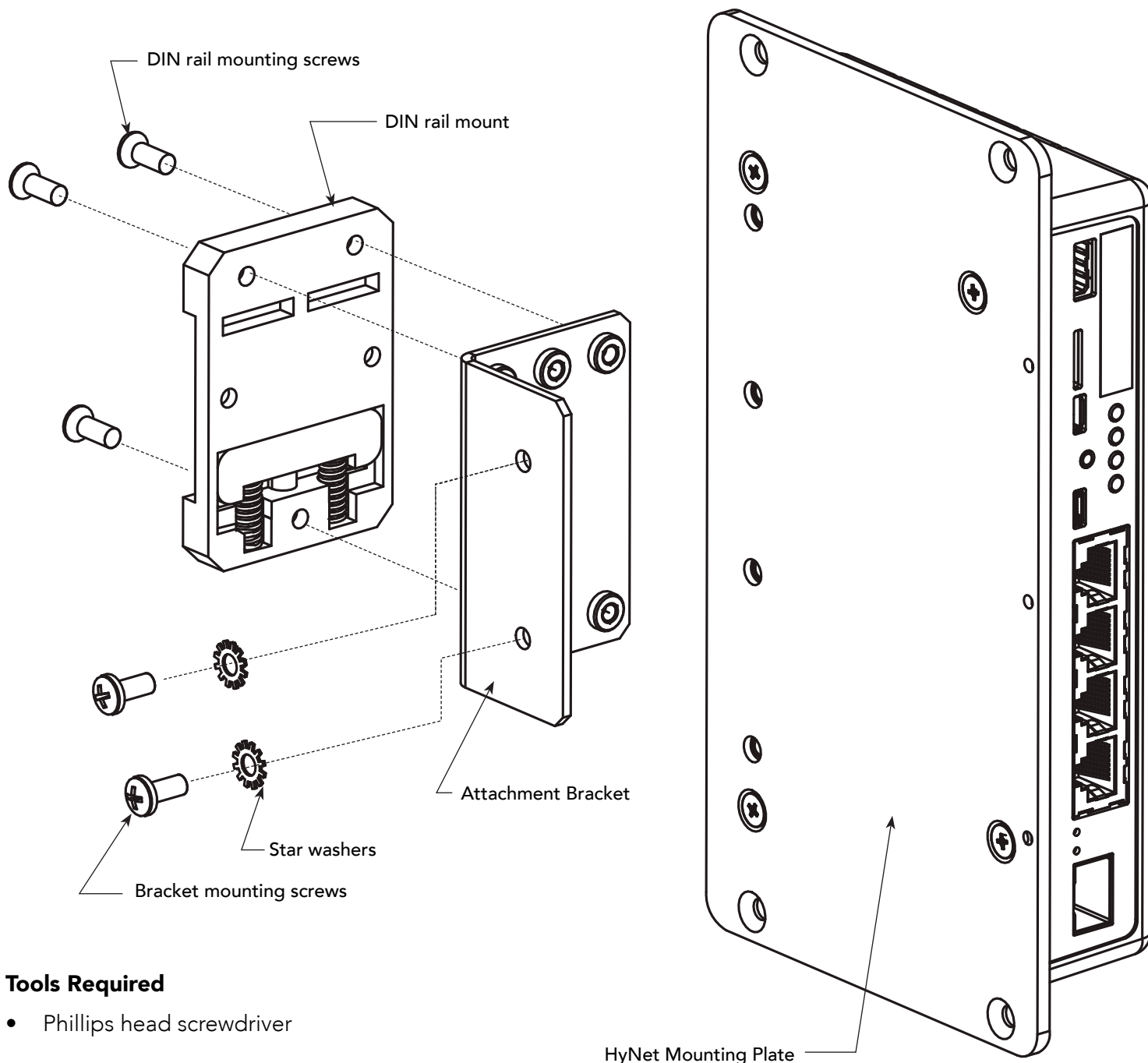


Table 1: HyNet LED Indicators

LED Position	LED Color	Indicates
1	RED flashing	No communication from gate operator to HyNet.
1	Green steady	Communication is established between gate operator and HyNet.
2	RED steady	Gate operator network communication is not configured or established.
2	RED flashing	HyNet is attempting to connect to network (web interface).
2	GREEN flashing	Network (web interface) is established and working. (May not be wholly configured, yet. Verify configuration with your IT administrator.)
3	RED steady	Hardware fault.
3	RED flashing	Charge is low on coin battery. Replace coin battery.
3	GREEN steady	Hardware functioning and coin battery charged.
4	Red steady or no LED lit	HyNet internal switch is not functioning.
4	GREEN steady	HyNet internal switch is functioning.

Drawing is not to scale

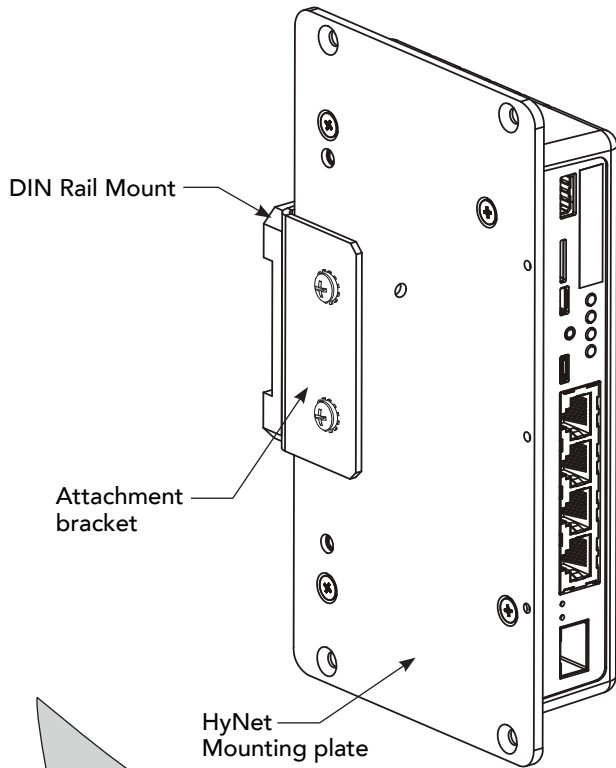
HySecurity CRASH Products and HyNet Assembly with Attachment Bracket



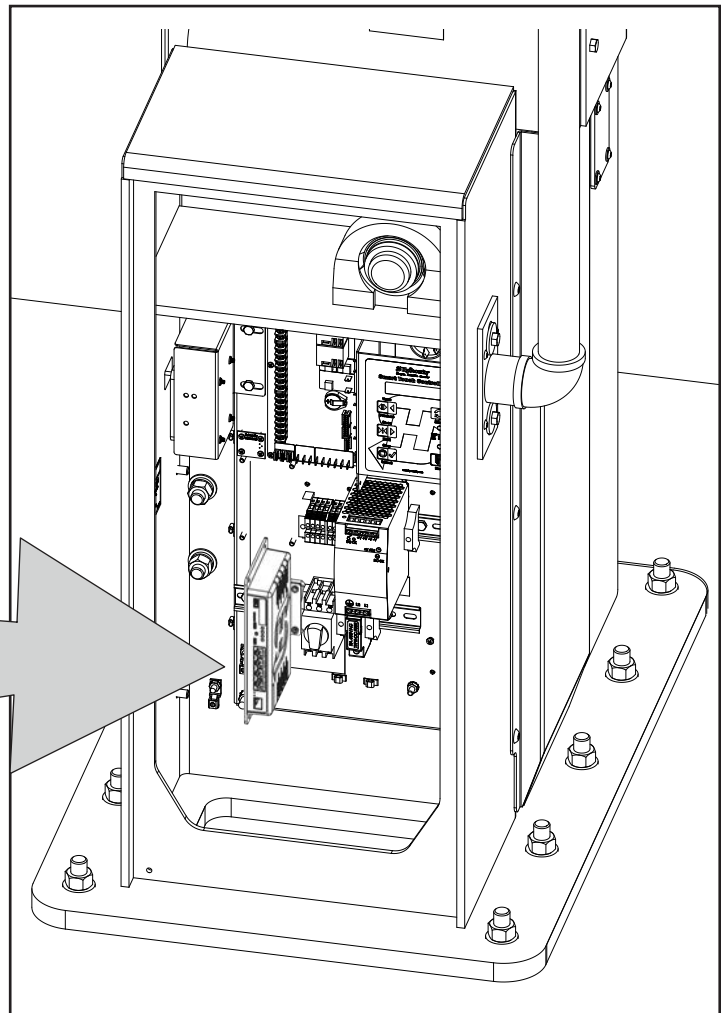
Tools Required

- Phillips head screwdriver

HyNet Assembly



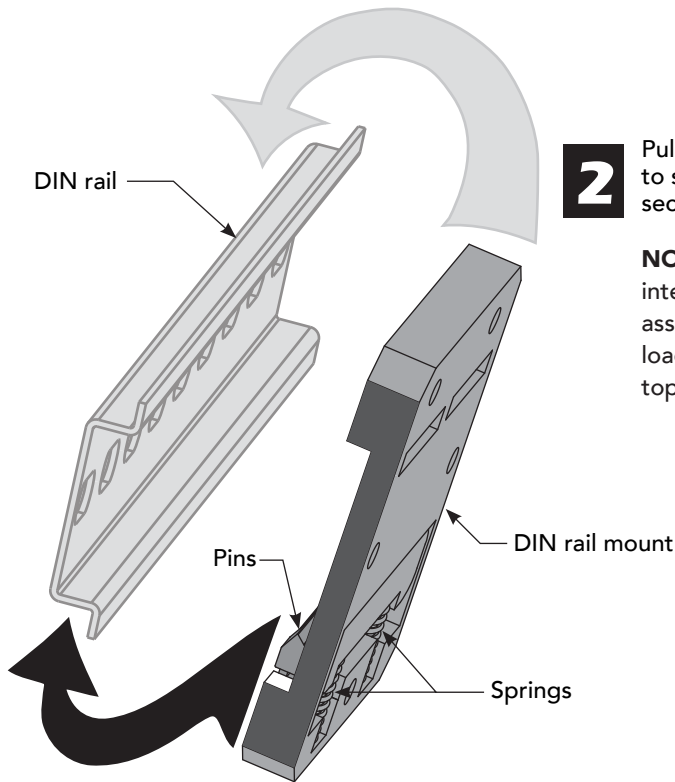
HyNet Installation on StrongArm M30 Control Panel



Mount HyNet module onto DIN rail next to Power Disconnect Switch.

Mount HyNet Assembly to DIN Rail

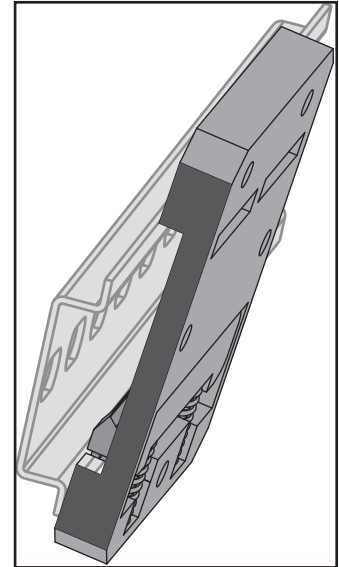
Mount the HyNet assembly to the DIN rail inside the gate operator or HydraSupply.



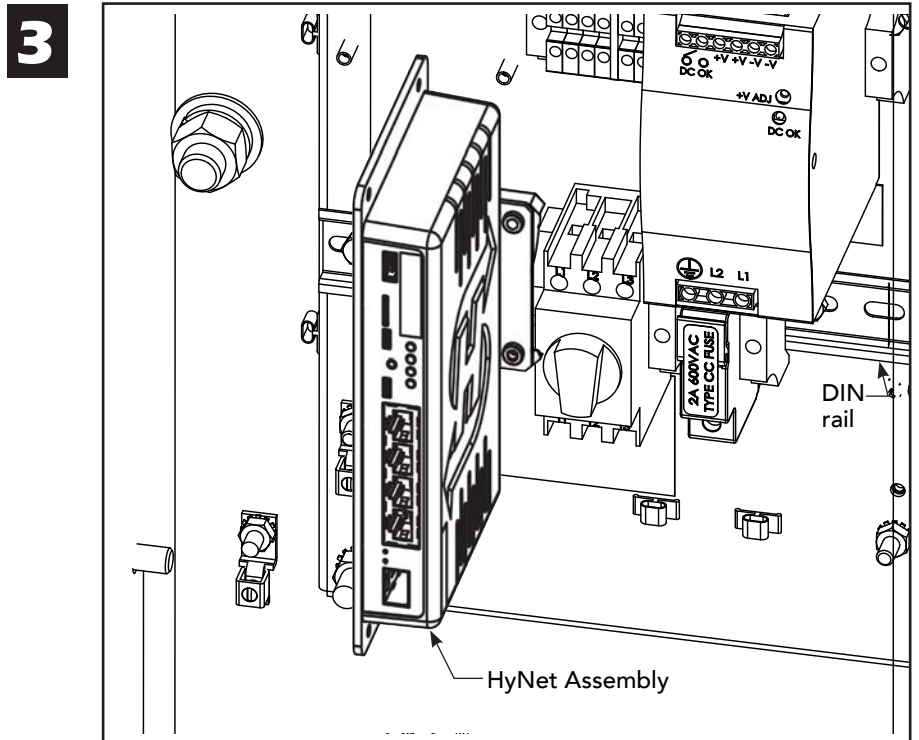
1 Tip the HyNet Assembly so the spring loaded pins fit under the DIN rail.

2 Pull on the DIN rail mount to slide and set the opposite section over the DIN rail.

NOTE: The DIN rail mount is interchangeable and can be assembled so that the spring loaded pins clasp onto the top rail or the bottom rail.



NOTE: For clarification only, DIN rail and DIN rail mount shown without HyNet Assembly attached.



StrongArm M30
HyNet Assembly shown attached to DIN rail in Pivot Post

NOTE: The HydraSupply cabinet (not shown) contains a DIN rail and the HyNet is mounted similarly to it.

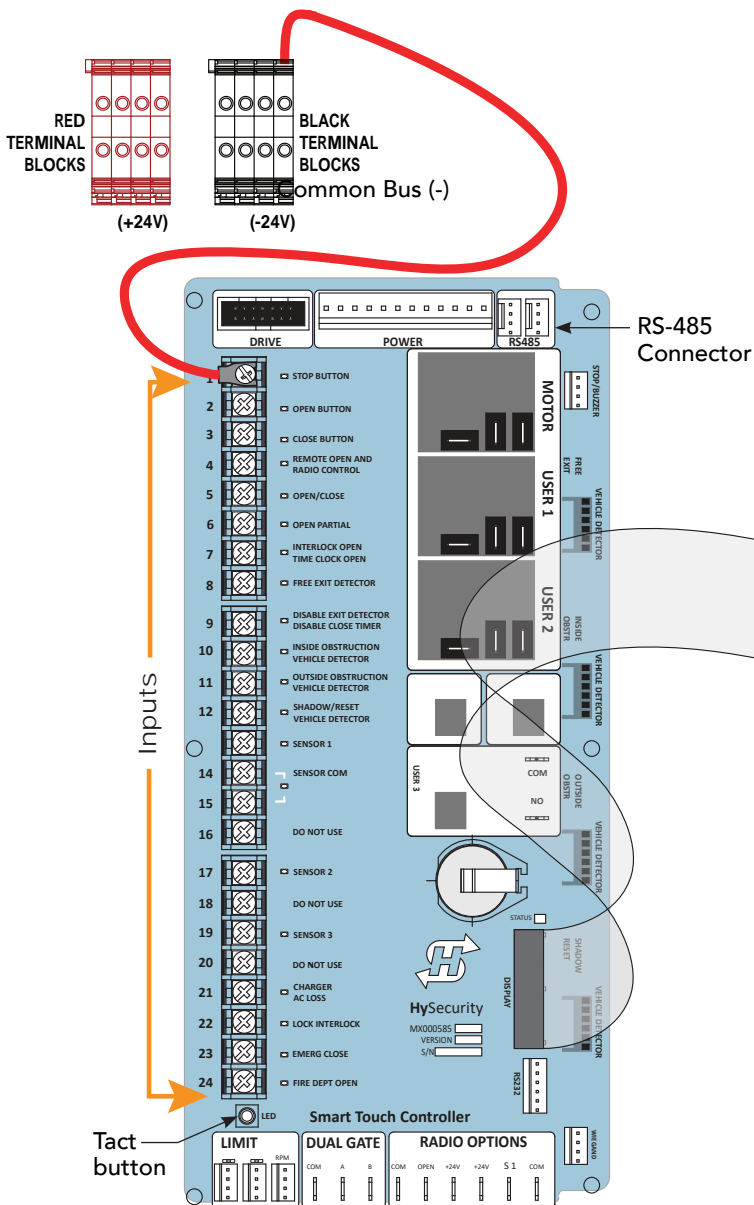
Smart Touch Controller

HySecurity gate operators provide a 2-wire, serial interface (RS-485 connection) which allows remote access to one or more operators.

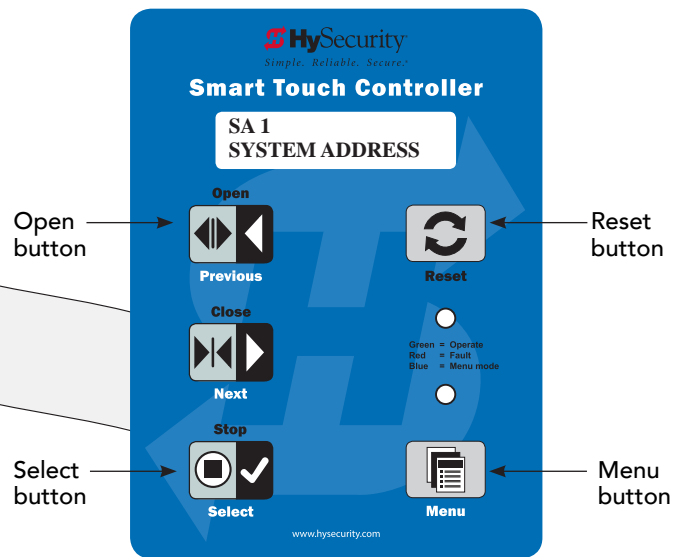
When the physical connection is made and protocols are established, an SA (System Address) must be assigned for each operator through its Installer Menu.

For network communication, choosing a "SA" of 1 to 4 establishes individual network polling addresses. HyNet only utilizes numbers 1, 2, 3, or 4.

A "SA" of zero means no network communication is desired.



- To access Installer Menu, press Menu button twice. Then, press Reset and Open. Press Select to navigate to Installer Menu item "SA" System Address.



- Press Select again to set gate operator's system address (Each gate operator attached to the same HyNet must have a unique SA number. Choose 1, 2, 3, or 4.)
- To exit Menu mode, press Menu. The gate operator returns to Run mode.
- Refer to "Table 1: HyNet LED Indicators" on page 2. Solid green means serial communication is active and functioning well.
- For IP network setup, refer to the HyNet Quick Start manual supplied in the HyNet box..

INSTALLER'S CHECKLIST

Date Installed: _____ Gate Operator Model: _____

Site Location: _____

HyNet Serial Number: _____

Gate Operator Serial Number: _____

Gate Operator Serial Number: _____

Gate Operator Serial Number: _____

Gate Operator Serial Number: _____

Customer Name: _____

Mailing Address: _____

Inspected by: _____

Date Inspected: _____

Phone Contact: _____

Phone contact number: _____

	Checked	Initials
1. Site Planning	<input type="checkbox"/>	_____
RJ-45 cable to system network.		
2. Safety	<input type="checkbox"/>	_____
Review <i>Important Safety Information</i> in the gate operator's product manual.		
Warning labels apparent and affixed properly.		
Area around the gate and gate operator free of debris, cabinets/chassis include locking mechanism.		
3. Electrical	<input type="checkbox"/>	_____
3.1 Grounding		
<ul style="list-style-type: none">NFPA 780 Standard for the Installation of Lightning Protection Systems.Solid copper ground rod (1/2-inch diameter, 10 ft length) driven into ground within 3 ft of the gate operator.Single length of unspliced 6AWG copper wire less than 3 ft long attached to lug nut in gate operator.		
3.2 Gate operator has current software loaded.		
3.3 Configure the Controller		
<ul style="list-style-type: none">Set the System Address (SA) in the Installer Menu.Communicate (verify) system address to IT Network Admin for proper web page configuration.		
4. Review gate operator installation checklist from gate operator manual	<input type="checkbox"/>	_____
5. Take photographs of installation and provide an End User Demo	<input type="checkbox"/>	_____