

MX002707
 MX001827
 MX3132
 MX002064

AdvanceDrive™ Wheel

Another HySecurity Innovation



 SlideDriver™

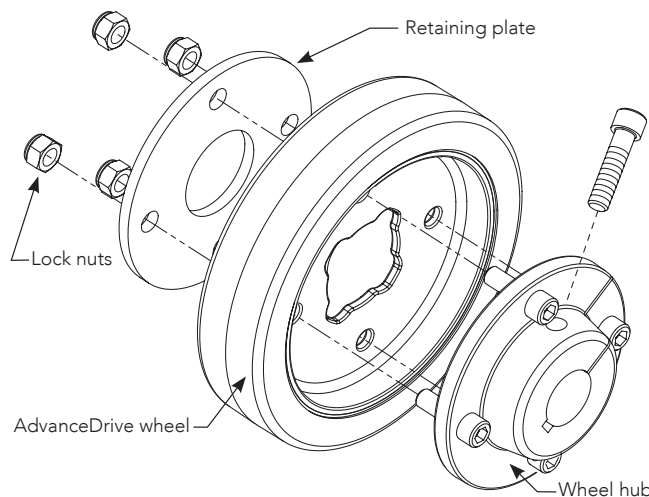
Easy Installation and Ultra Reliable Wheels

Save time and money with SlideDriver's innovative AdvanceDrive Wheel. This wheel and hub system replaces the former drive wheel unit making wheel replacement simpler, less time consuming and less expensive. With proper gate maintenance, the AdvanceDrive wheels should last longer than those they replace.

The AdvanceDrive wheel is both mechanically and chemically bonded to its high-tech composite center, drastically reducing the possibility of tread delamination and greatly increasing wheel life.

AdvanceDrive™ Wheel Benefits

- **High-tech design** eliminates the need for a wheel collar
- **Longer life**
- **Increased reliability** with high quality-controlled manufacturing
- **Field and factory proven** under brutal conditions
- **Simple, quick and inexpensive** replacement
- **Retrofit** – Buy the wheel and hub system once - only the wheel gets replaced the next time, reducing cost
- **Two year limited warranty**



hysecurity.com | 800-321-9947

Manufacturer of industrial and hostile vehicle mitigation barriers, gate operators and accessories.

AdvanceDrive™ Wheel

OPERATOR COMPATIBILITY:

SlideDriver 15, SlideDriver 40, SlideDriver 30F

- 6 inch AdvanceDrive Wheel assembly MX002707
- 6 inch AdvanceDrive Wheel replacement MX001827

SlideDriver 80, SlideDriver 200, SlideDriver 50VF2/3

- 8 inch AdvanceDrive Wheel assembly MX3132
- 8 inch AdvanceDrive Wheel replacement MX002064

| | FAST | | | FAST | | |
|----------------------------|--|---|---|---|--|---|
| | 1,500 lb gates 1 ft/s | 3,000 lb gates 1.7 ft/s | 4,000 lb gates 1 ft/s | 5,000 lb gates 2.2 ft/s or 3 ft/s | 8,000 lb gates 1 ft/s | 20,000 lb gates 1 ft/s |
| Model | SlideDriver 15 | SlideDriver 30F | SlideDriver 40 | SlideDriver 50VF2/3 | SlideDriver 80 | SlideDriver 200 |
| Part # | 222 SS ST | 222 EX 1.7 ST | 222 E ST | 222 X3 ST | 222 X1 ST | 444 XS ST |
| Duty Cycle | Continuous | | | | | |
| Horsepower | 1 hp UPS model: 2 hp | 2 hp | 1 hp UPS model: 2 hp | 2 hp | 2 hp | 5 hp |
| Drive | Hydraulic | | | | | |
| Drive Wheels | Two 6 inch (15 cm) AdvanceDrive wheels | Two 6 inch (15 cm) AdvanceDrive wheels | Two 6 inch (15 cm) AdvanceDrive wheels | Two 8 inch (20 cm) AdvanceDrive wheels | One 8 inch (20 cm) AdvanceDrive wheel, One 8 inch XtremeDrive wheel and 27 ft (8 m) of rack | Two 8 inch (20 cm) AdvanceDrive wheels, Two 8 inch XtremeDrive wheels and 52 ft (16 m) of rack |
| Gate Weight Max. | 1,500 lb (680 kg) | 3,000 lb (1,361 kg) | 4,000 lb (1,814 kg) | 5,000 lb (2,268 kg) | 8,000 lb (3,629 kg) | 20,000 lb (9,072 kg) |
| Gate Length Max. | Limited only by weight | | | | | |
| Drawbar Pull | 300 lb (136 kg) | 300 lb (136 kg) | 300 lb (136 kg) | 300 lb (136 kg) | 600 lb (272 kg) | 1,200 lb (544 kg) |
| Rate of Travel | 1 ft/s (30 cm/s) | 1.7 ft/s (50 cm/s) | 1 ft/s (30 cm/s) | Field adjustable, 2.2 ft/s (70 cm/s) or 3 ft/s (91 cm/s) Emergency Fast Operate 3 ft/s (91 cm/s) | 1 ft/s (30 cm/s) | 1 ft/s (30 cm/s) |
| Temperature Rating | -40° to 158° F (-40° to 70° C) | | | | | |
| 1 Phase Power | 115/208/230V 60 Hz 110/220V 50 Hz*** | 208/230V 60 Hz 220V 50 Hz*** | 115/208/230V 60 Hz 110/220V 50 Hz*** | 208/230V 60/50 Hz | 208/230V 60 Hz 220V 50 Hz*** | 230V 60 Hz 220V 50 Hz*** |
| 3 Phase Power | 208/230/460V; 220/380/440V 50Hz*** | | | 208/230V 60/50Hz or 380/460V 60/50Hz | 208/230/460V; 220/380/440V 50Hz*** | |
| Communication | RS-232, RS-485, Ethernet/fiber using optional HyNet™ Gateway accessory | | | | | |
| User Controls | Smart Touch Controller with 70+ configurable settings. Smart Touch keypad and display or a PC using S.T.A.R.T. software. | | | | | |
| Relays | Three configurable user relays: one 30VDC, 3A solid state and two 250VAC, 10A electromechanical; Optional Hy8Relay™ for 8 additional relay outputs | | | | | |
| Finish | Zinc plated with powder coating | | | | | |
| ETL Listed (UL 325) | Usage Class I, II, III, IV | Usage Class III, IV | Usage Class I, II, III, IV | Usage Class III, IV | Usage Class III, IV | Usage Class III, IV |
| Warranty | 5 year w/product registration | | | | | |

UPS Battery Backup Power and Additional Models

| DC Power Supply* | SlideDriver 15 UPS | SlideDriver 30F UPS | SlideDriver 40 UPS | - | SlideDriver 80 UPS | SlideDriver 200 UPS** |
|--|-----------------------------------|---------------------|-----------------------------------|--|--------------------|-----------------------|
| AC Power Supply with HyInverter AC* | SlideDriver 15 with HyInverter AC | - | SlideDriver 40 with HyInverter AC | SlideDriver 50VF2/3 with HyInverter AC | - | - |
| Correctional Facility | - | SlideDriver 30F-C | SlideDriver 40-C | SlideDriver 50VF2/3-C | SlideDriver 80-C | SlideDriver 200-C |
| Modular | SlideDriver 15-M | SlideDriver 30F-M | SlideDriver 40-M | SlideDriver 50VF2/3-M | SlideDriver 80-M | SlideDriver 200-M |

* 3,000 ft/hr expected duty cycle. The operator's normal duty cycle and the actual number of gate cycles available from battery depends upon gate resistance to travel, cycle length, battery size, state of charge and health, ambient temperature, accessory power draw and frequency of gate cycles during power outage.

** SlideDriver 200 UPS has a 2,000 ft/hr expected duty cycle. Actual duty cycle depends on site specific conditions and gate configuration.

***Refer to Installed Options on pricing for all 50Hz voltages, which are special order.

† 115V DC Power Supply requires a 30A branch circuit. Choose voltage with care as chargers are not field convertible.

To enable fully automatic operation, all SLIDE gate operators require a minimum of TWO monitored external entrapment protection sensors (one for each direction) to protect entrapment zones in both the open and close direction of travel. Visit www.hysecurity.com/gatesafety for more information on UL 325 standards and gate safety.

SYSTEM DESIGN SUPPORT: Contact HySecurity for help with custom site requirements, CAD drawings, tech manuals or other specifications support.

VISIT HYSECURITY.COM for installation manuals, parts diagrams, wiring diagrams, specifications, image gallery, videos, training and much more.