

The following instructions are intended to assist the user in the installation of the SlideSmartDC HD base riser. The kit serves as a base riser for SlideSmartDC HD operators or retrofits an existing non-HySecurity gate operator installation for SlideSmartDC HD without major site alterations. Please read all assembly instructions before installing the kit.

REQUIRED TOOLS

- Socket and Wrench Set
- Philips Head Screwdriver

PARTS

Verify that all parts are accounted for. See Figure 1 and Table 1.

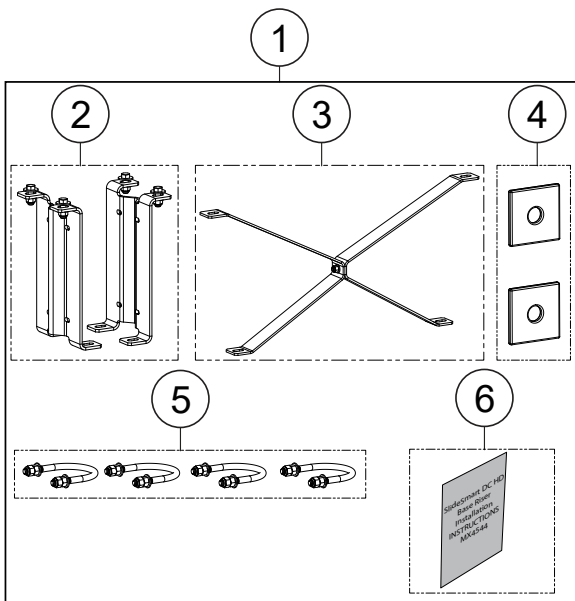


Figure 1. SSDC HD Base Extension & Retrofit Adapter Kit

Table 1. SSDC HD Base Extension & Retrofit Adapter Kit

Item No.	Part No.	Description	QTY.	Remarks
1	MX4489	Kit, Base Extension & Retrofit Adapter, SlideSmartDC HD	1	Includes items 2-6
2	MX4487	Support Bracket	2	
3	MX4488	Cross Brace	2	
4	MX4531	Washer, Square Plate, 1/2" x 2" x 3/16"	2	
5	MX4496	U-Bolt, 2.5" Pipe, 3/8-16, ZIN	4	
6	MX4544	Instructions, SSDC HD Base Extension & Retrofit Adapter	1	

WORK SAFELY!

Only a **qualified service technician** with proper training should perform this installation. Follow all shop safety rules when performing this installation.

PREPARATION

1. Make sure gate operator is turned off and moving components are idle.
2. Unlock and remove cover using key.
3. Set the cover aside.
4. Disconnect negative battery cable from the battery.
5. View "Figure 16. Pad Mounting Installation Specifications and Dimensions", "Figure 17. Pad/Post Mounting Installation Specifications and Dimensions", and "Figure 18. Post Mounting Installation Specifications and Dimensions" for important installation dimensions.

NON-HYSECURITY OPERATOR REMOVAL

1. Loosen and remove non-HySecurity gate operator mounting hardware and power connections.
2. With assistance, lift and set aside non-HySecurity gate operator.
3. Loosen and remove any other mounting support hardware remaining for the non-HySecurity gate operator.

NOTICE

Existing posts may be used to install retrofit brackets.

BASE RISER INSTALLATION

1. Secure cross braces (2) together using a bolt, flat washer (2), and lock nut to form X-Brace. See Figure 2.

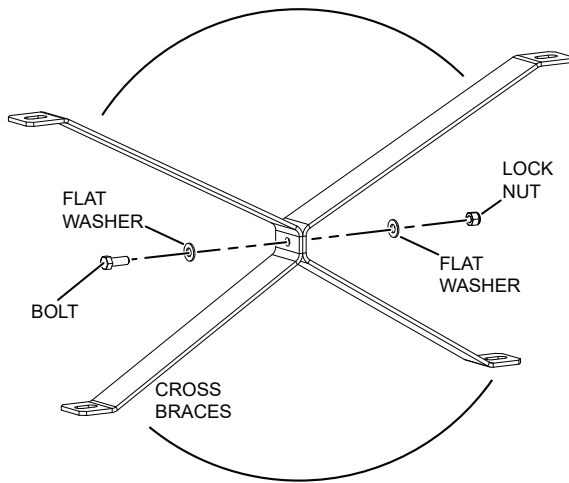


Figure 2. X-Brace

2. Align and place X-Brace on brackets. See Figure 3.
3. Align and place plate washers on the remaining two bracket mounting locations. See Figure 3.

NOTICE

Square plate washers provide level installation.

4. Secure brackets to the pad mounting foundation using concrete anchors and fastening hardware (not included). See Figure 3.

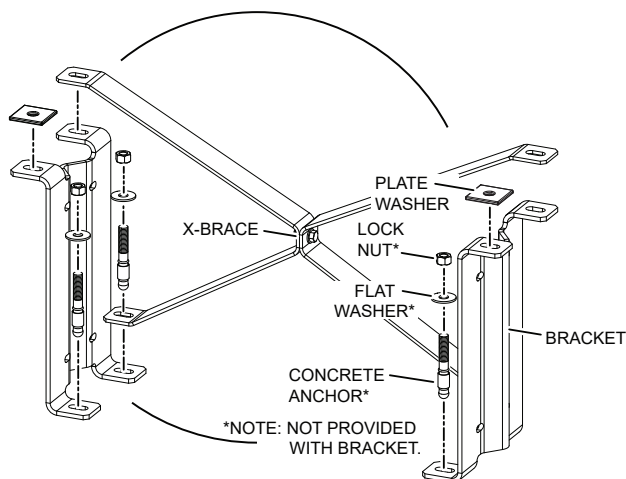


Figure 3. Securing X-Brace and Base Riser

5. Using a Philips Head screwdriver, remove conduit cover panel (2). Rotate conduit cover panel (2) 180° and reinstall for rodent protection. See Figure 4.

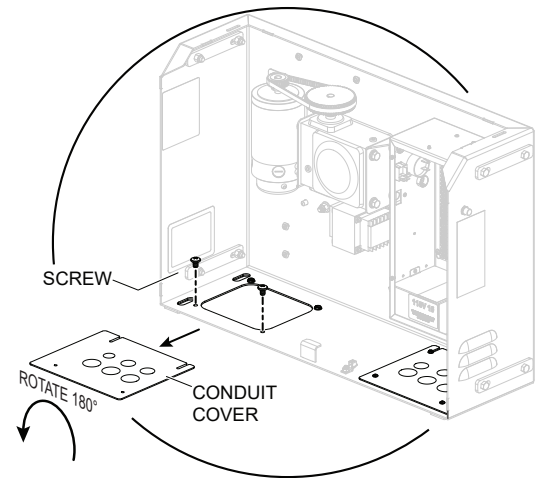


Figure 4. Conduit Cover 180° Rotation

6. With assistance, lift, set, and align gate operator on top of brackets. See Figure 5.
7. Secure the operator to the brackets using a bolt (4), flat washer (8), and lock nut (8). See Figure 5.

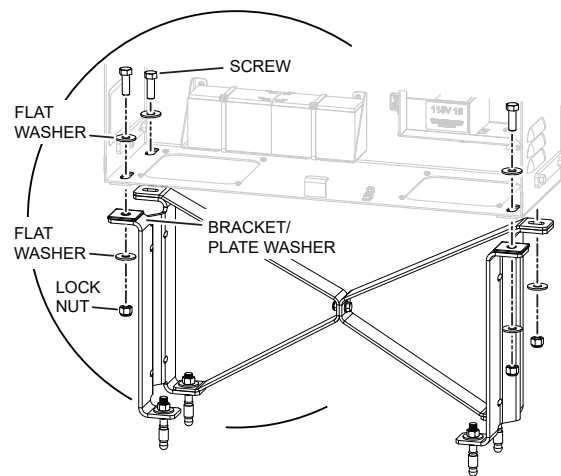


Figure 5. SlideSmartDC HD to Base Riser

SL585 POST MOUNTED RETROFIT INSTALLATION

1. Measure distance between existing posts (outside to outside of posts) of 26 inches (66 cm). See Figure 6.
2. Measure and mark operator base height, and cut posts at marks. Debur and clean tops.

NOTICE

Ensure posts are cut for level operator installation.

NOTICE

Chain height is eight inches higher than base of operator.

3. Secure brackets to posts using U-bolts (4), flat washers (8), and lock nuts (8). See Figure 6.

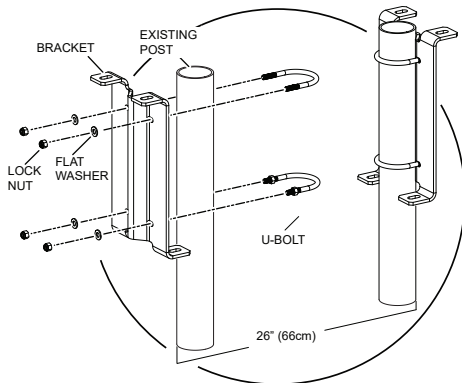


Figure 6. Brackets to Existing Posts

4. Secure cross braces (2) together using a bolt, flat washer (2), and lock nut to form the X-Brace. See Figure 7.

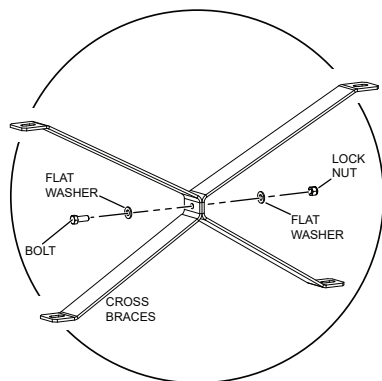


Figure 7. X-Brace

5. Secure X-Brace to brackets using screws (2), flat washers (8), and lock nuts (8). See Figure 8.

6. Align and place plate washer on remaining two bracket mounting locations. See Figure 8.

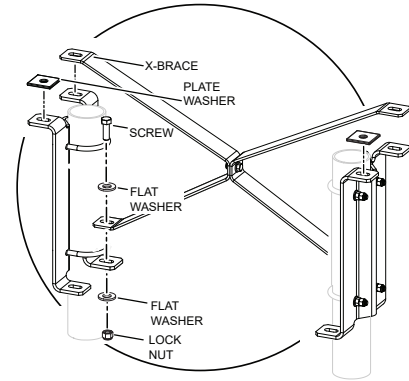


Figure 8. Securing X-Brace to Brackets

7. Using a Philips Head screwdriver, remove conduit cover panel (2). Rotate conduit cover panel (2) 180° and reinstall for rodent protection. See Figure 9.

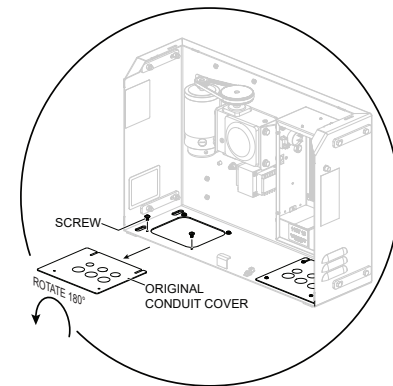


Figure 9. Conduit Cover 180° Rotation

8. With assistance, lift, set, and align gate operator on brackets. See Figure 10.
9. Secure the operator to the brackets using a bolt (4), flat washer (8), and lock nut (8). See Figure 10.

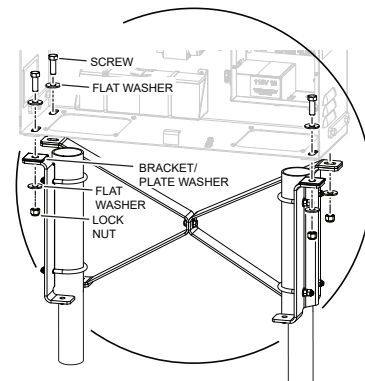


Figure 10. SlideSmartDC HD to Base Riser

SL595 POST MOUNTED RETROFIT INSTALLATION

1. Measure distance between existing posts (inside to inside of posts) of 24 inches (61 cm). See Figure 11.
2. Measure and mark operator base height, and cut posts at marks. Debur and clean tops.

NOTICE

Ensure posts are cut for level operator installation.

NOTICE

Chain height is eight inches higher than base of operator.

3. Secure brackets to posts using U-bolts (4), flat washers (8), and lock nuts (8). See Figure 11.

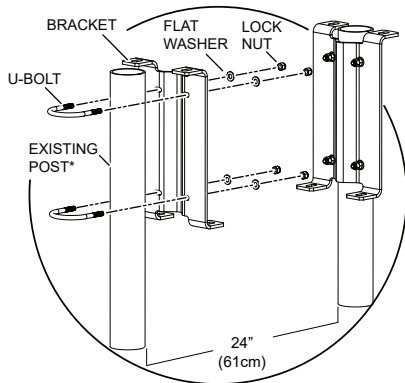


Figure 11. Brackets to Existing Posts

4. Secure cross braces (2) together using a bolt, flat washer (2), and lock nut to form the X-Brace. See Figure 12.

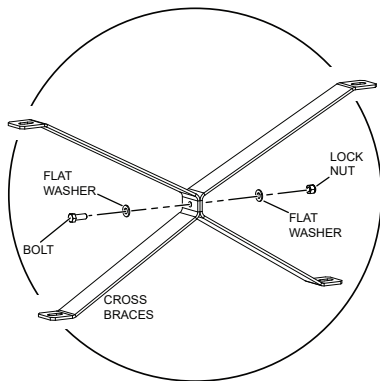


Figure 12. X-Brace

5. Secure X-Brace to brackets using screws (2), flat washers (8), and lock nuts (8). See Figure 13.

6. Align and place plate washer on remaining two bracket mounting locations. See Figure 13.

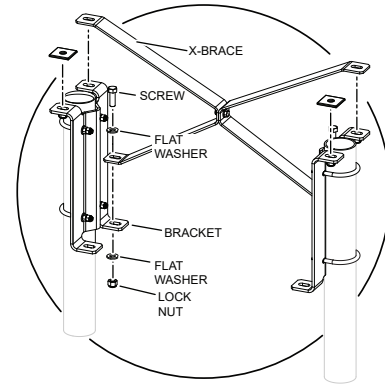


Figure 13. Securing X-Brace to Brackets

7. Using a Philips Head screwdriver, remove conduit cover panel (2). Rotate conduit cover panel (2) 180° and reinstall for rodent protection. See Figure 14.

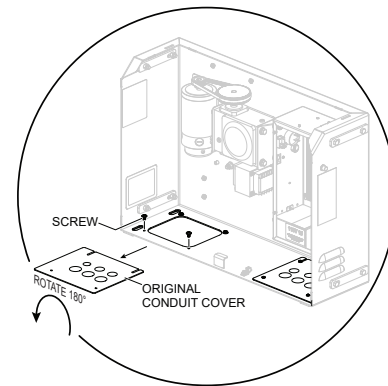


Figure 14. Conduit Cover 180° Rotation

8. With assistance, lift, set, and align gate operator on brackets. See Figure 15.
9. Secure the operator to the brackets using a bolt (4), flat washer (8), and lock nut (8). See Figure 15.

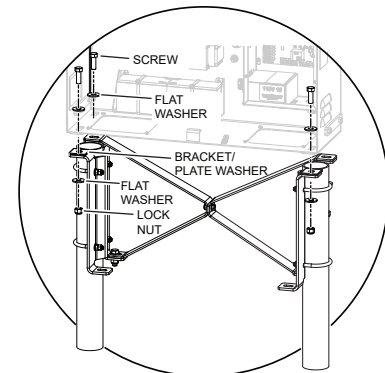


Figure 15. SlideSmartDC HD to Base Riser

STAND ALONE BASE RISER INSTALLATION

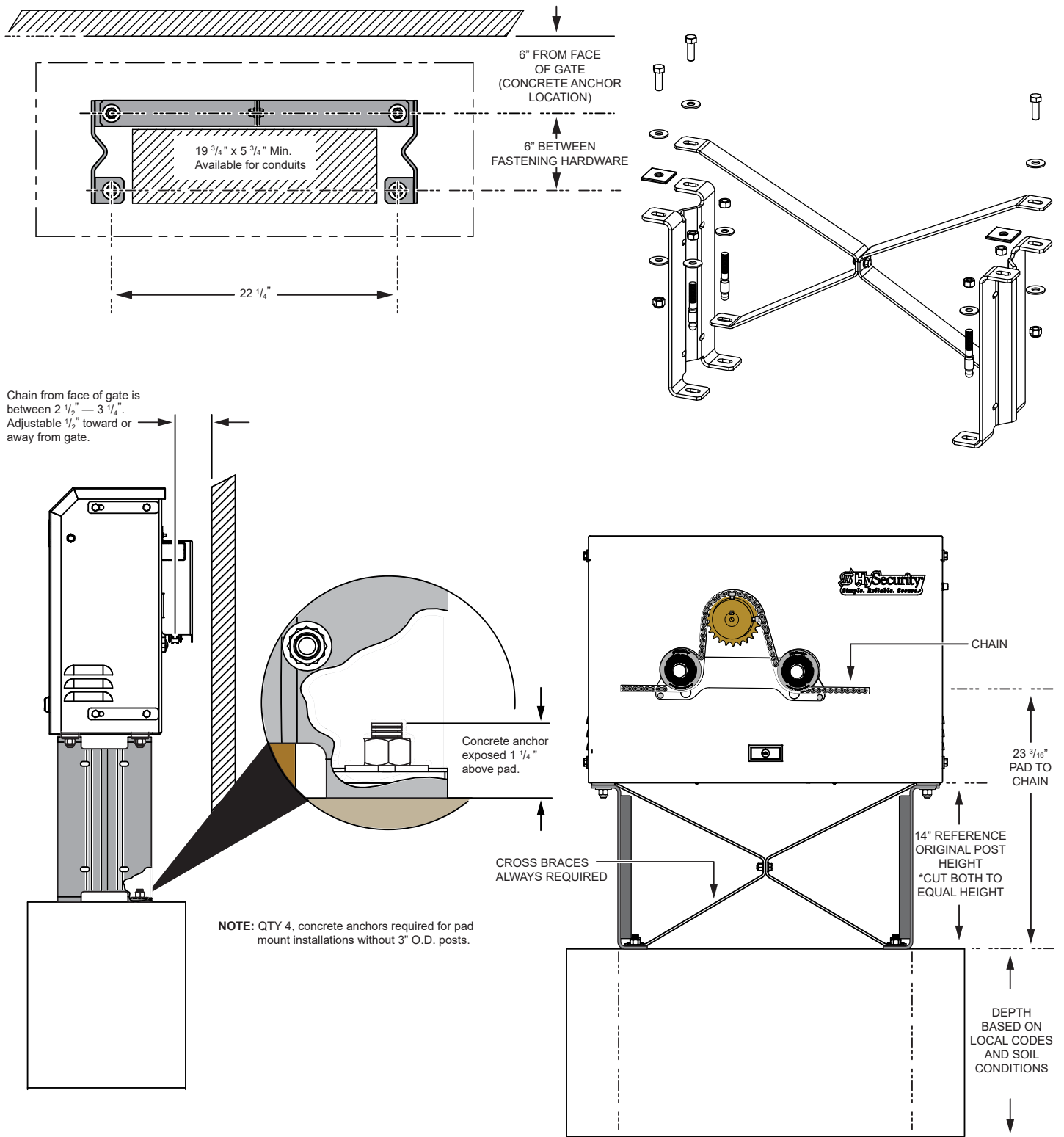


Figure 16. Pad Mounting Installation Specifications and Dimensions

BASE RISER RETROFIT INSTALLATION FOR SL585 OPERATORS

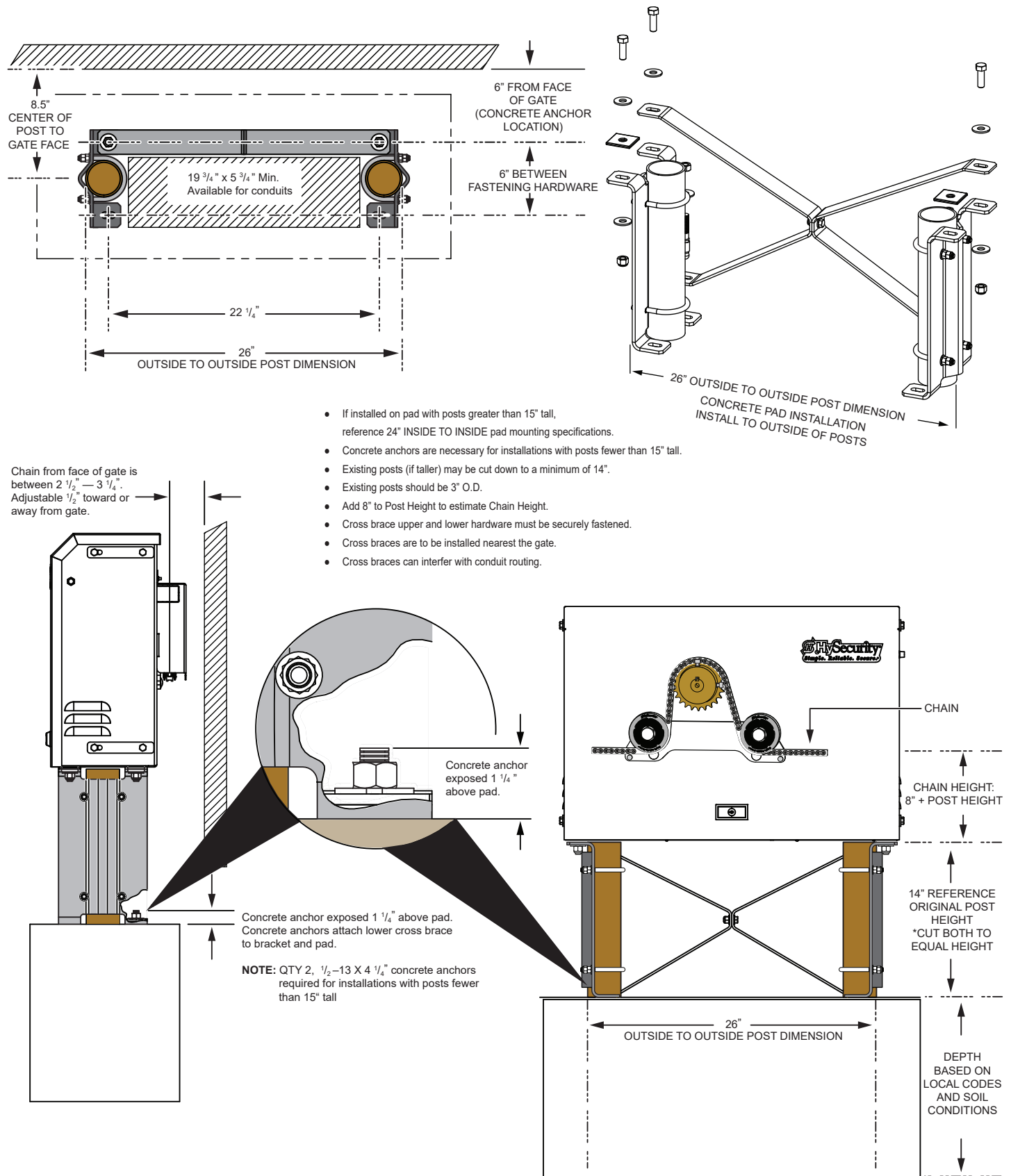


Figure 17. Pad/Post Mounting Installation Specifications and Dimensions

BASE RISER RETROFIT INSTALLATION FOR SL595 OPERATORS

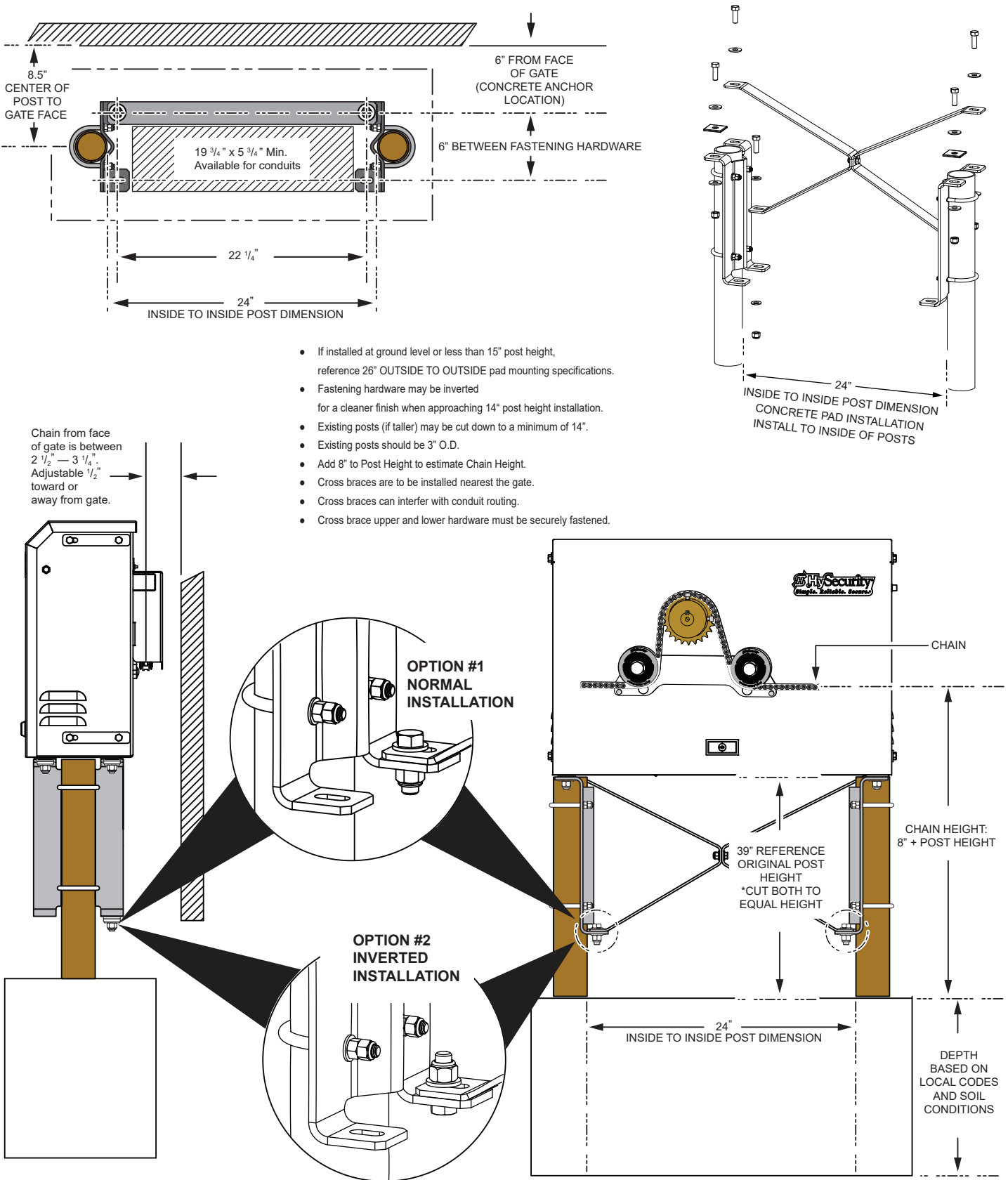


Figure 18. Post Mounting Installation Specifications and Dimensions

