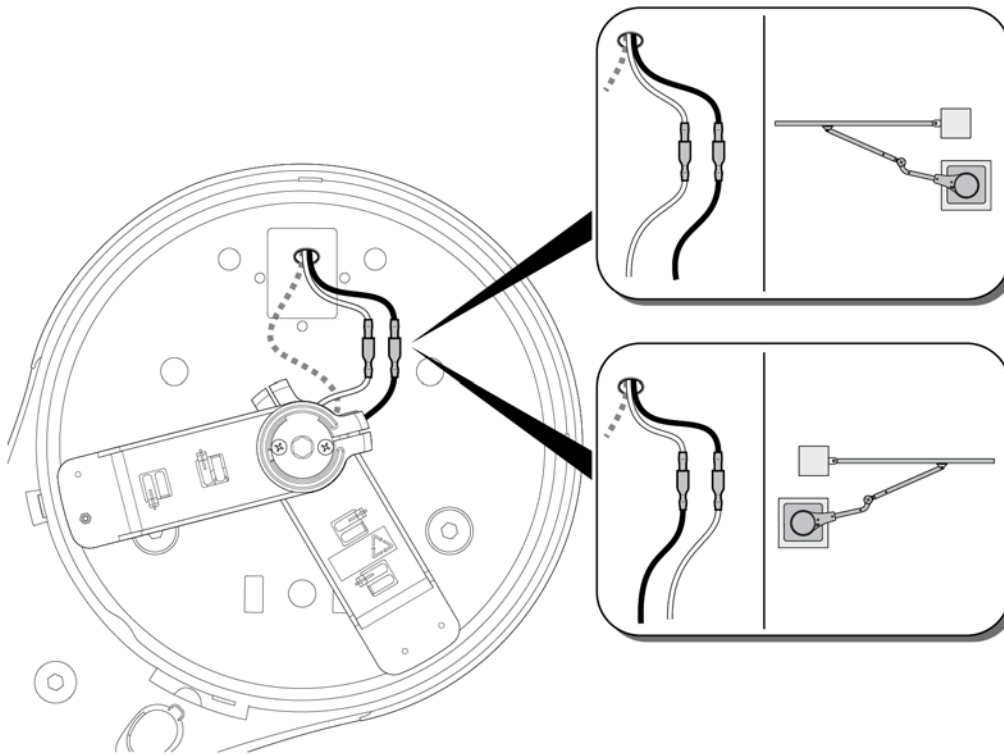


# LIMIT SWITCH SETTING FOR 4300SW

Follow below hardware and software setting according to motor installation



## Right handed installation

- Limit switch wiring  
*orange to orange – white to white*
- On the control board: \*
  1. Press **FUNCTION**
  2. Scroll through the options to reach “**ADVANCED SETTINGS**”
  3. Press **ENTER**
  4. Scroll through selection to reach “**DIRECTION OF MOTOR**”
  5. Press **ENTER**
  6. Set motor direction as “ **→** ”
  7. Press **DISPLAY** to return to the **MAIN MENU**

## Left handed installation

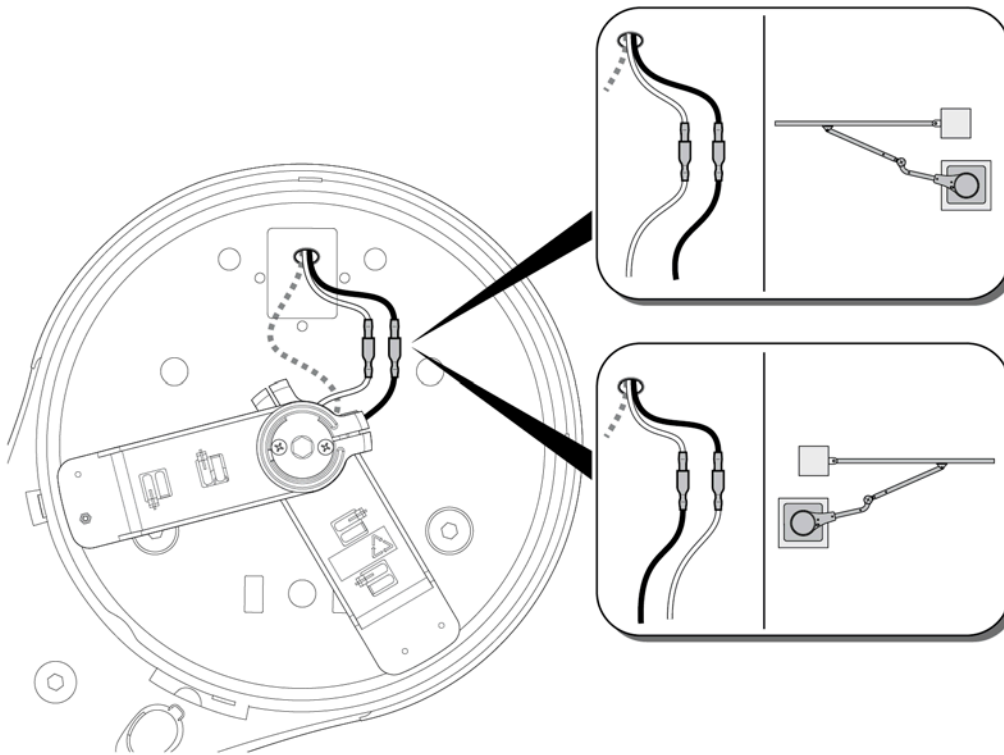
- Limit switch wiring  
*orange to white – white to orange*
- On the control board: \*
  1. Press **FUNCTION**
  2. Scroll through the options to reach “**ADVANCED SETTINGS**”
  3. Press **ENTER**
  4. Scroll through selection to reach “**DIRECTION OF MOTOR**”
  5. Press **ENTER**
  6. Set motor direction as “ **←** ”
  7. Press **DISPLAY** to return to the **MAIN MENU**

\*Gate direction reversal can only be accomplished in learning mode.

See section 16 of the 4300SW 4500 SW gate opener manual for further details

# LIMIT SWITCH SETTING FOR 4500SW

Follow below hardware and software setting according to motor installation



## Right handed installation

- Limit switch wiring  
*orange to orange – white to white*
- On the control board: \*
  1. Press **FUNCTION**
  2. Scroll through the options to reach “**ADVANCED SETTINGS**”
  3. Press **ENTER**
  4. Scroll through selection to reach “**DIRECTION OF MOTOR**”
  5. Press **ENTER**
  6. Set motor direction as “ ← ”
  7. Press **DISPLAY** to return to the **MAIN MENU**

## Left handed installation

- Limit switch wiring  
*orange to white – white to orange*
- On the control board: \*
  1. Press **FUNCTION**
  2. Scroll through the options to reach “**ADVANCED SETTINGS**”
  3. Press **ENTER**
  4. Scroll through selection to reach “**DIRECTION OF MOTOR**”
  5. Press **ENTER**
  6. Set motor direction as “ → ”
  7. Press **DISPLAY** to return to the **MAIN MENU**

\*Gate direction reversal can only be accomplished in learning mode.

See section 16 of the 4300SW 4500 SW gate opener manual for further details