

DC Power Supply with HyCharger DC™

HySecurity's advanced UPS Power Supply with HyCharger DC™
for ALL* HySecurity hydraulic operators

Get More from your UPS DC Backup

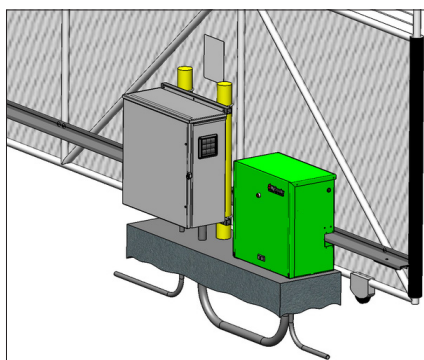
- Extends battery life
- Climate controlled
- Burst of power when needed

SMART – Smart charge system uses high efficiency switching technology that optimizes battery conditioning, storage capacity and battery life.

POWERFUL – Supplies 50A of 24VDC power on continuous basis to both motor drive circuit or charger circuit. Burst mode supplies additional energy to gate operator, when needed.

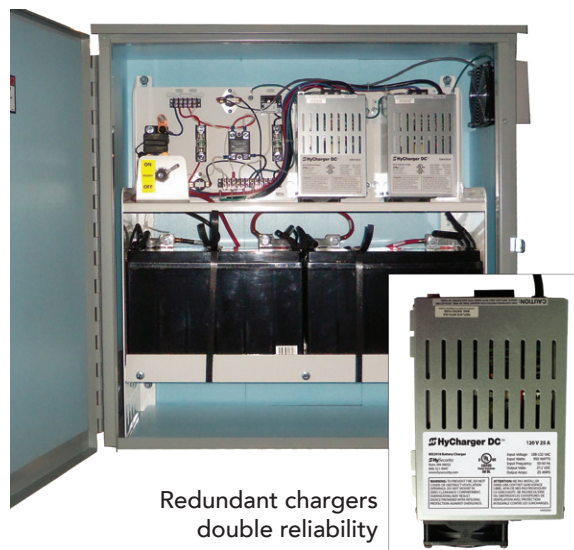
FAST RECHARGE - After AC power is restored, batteries are completely recharged in as little as 2 hours (12 hours when operating a high-traffic gate).

ADAPTABLE - Easy replacement of existing, older DC chargers in HySecurity DC Supply Cabinets. If you are interested in replacing an older DC charger, contact HySecurity for replacement parts: MX2890-01 HyCharger DC 208/230V or MX2890-02 HyCharger DC 115V*.



Compatible with most* HySecurity hydraulic operators: SlideDriver, StrongArm, SwingRiser, HydraLift, HydraWedge SM50

*AC power supply with HyInverter AC is required for VFD machines (SlideDriver 50VF2/3, StrongArmCrash and HydraSwing operators)



Redundant chargers
double reliability

Model	DC Power Supply 115V* DC Power Supply 230V
Operators	SlideDriver 15 UPS, 30F UPS, 40 UPS, 80 UPS*200 UPS; StrongArm 14F UPS, 20 UPS, 28 UPS, 36 UPS; SwingRiser - All UPS models; HydraLift - All UPS models (includes 1 and 2 hp operators)
Duty Cycle	See operator
Input Power	115* or 208-230 VAC, 60/50Hz
Output Power	24V, 50A
Burst Mode	Burst of power, when needed
Batteries	Two - 110Ah AGM batteries for extended cycles
Recharge	Fast: Minimum 2 hour recharge; 12 hours for high cycle applications
Temperature Rating	-40° to 158°F (-40° to 70°C) Heater & fan automatically adjust cabinet temperature for optimal battery life
Charger	Smart charge system conditions battery
Ultra Reliable	Two independent, redundant chargers
Enclosure	NEMA 3R
ETL Listed	UL 1778
Warranty	2 year (system and electronics), 1 year battery

* 115V DC Power Supply requires 30A branch circuit