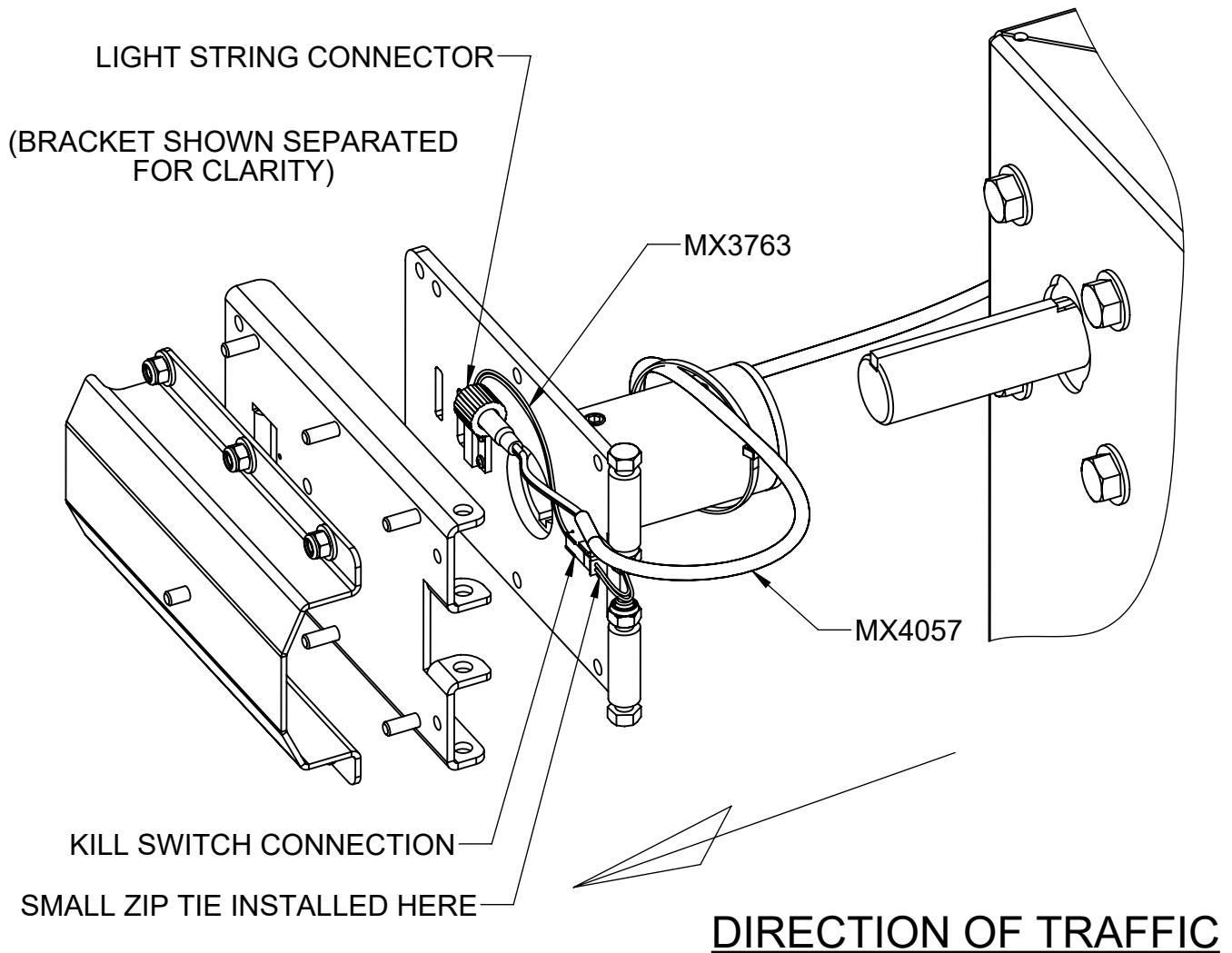


- PREPARE FOR INSTALLATION POWERING DOWN THE OPERATOR AND BY REMOVING OLD ARM / MOUNT / ORIGINAL LIGHTING (IF EXISTING).
- ALIGN BRACKET, KEYWAY AND SET SCREWS BASED UPON DIRECTION OF TRAFFIC.
- INSTALL BREAK AWAY BRACKET ON CRANKSHAFT AND TIGHTEN SET SCREWS. REMOVE THE WIRE TIE AND ANY SCREWS HOLDING BREAK AWAY BRACKET ENDS TOGETHER.
- ATTACH HARNESS MX4057 TO KILL SWITCH HARNESS MX3763 AND SECURE TO BRACKET WITH SMALL ZIP TIE.
- ROUTE HARNESS MX4057 APPROXIMATELY AS SHOWN OVER CRANKSHAFT AND LOOSELY SECURE WITH LARGE BLACK ZIP TIE.



NOTE: DRAWING IS NOT TO SCALE.

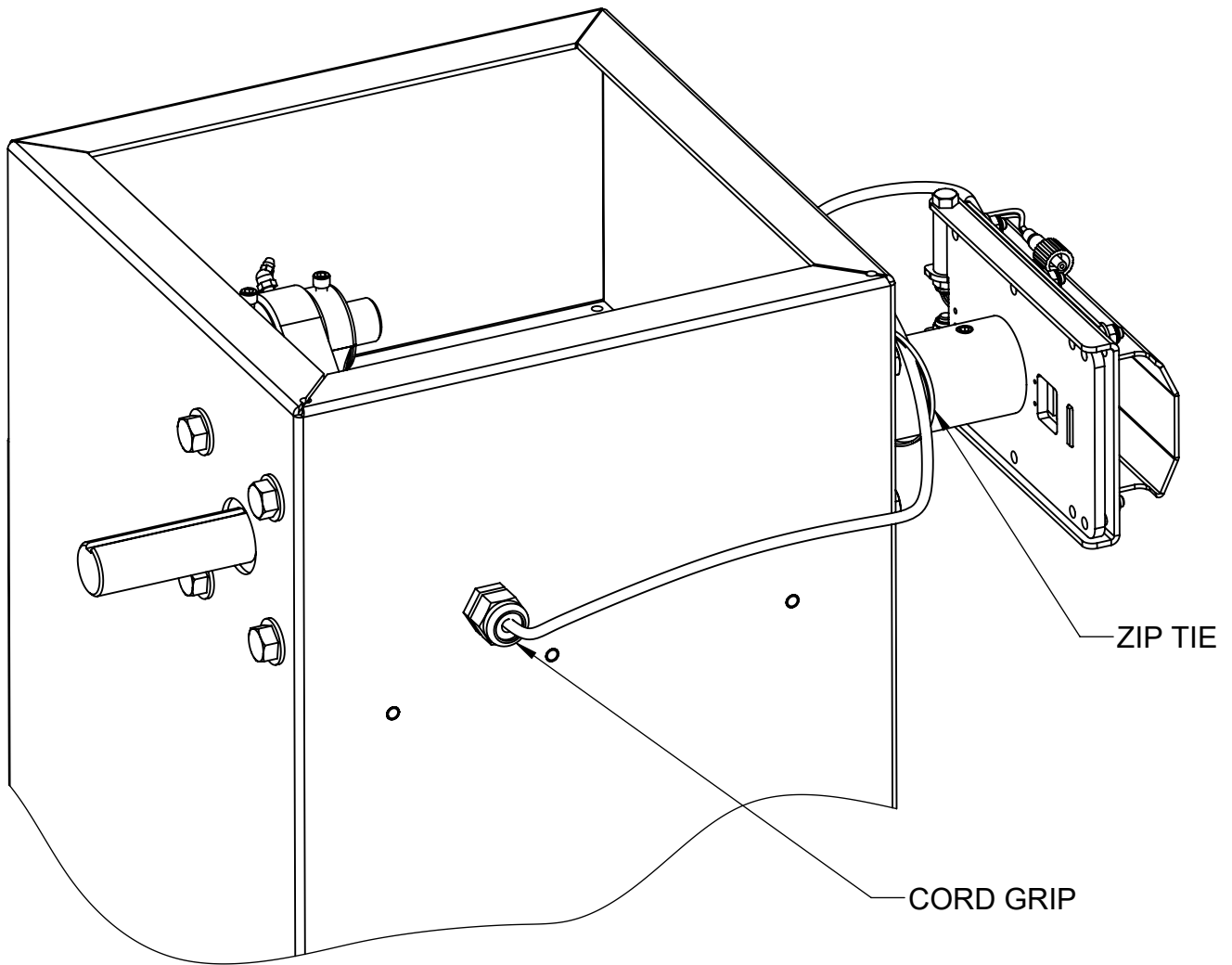


DOCUMENT TITLE
**INSTALL INSTRUCTIONS, STRONGARM
 BREAK AWAY WITH LIGHTS AND
 SENSOR.**

DRAWN RAW	DATE 3/3/2015
CHECKED	DATE
APPROVED	DATE

DOCUMENT NUMBER:
D0647
 THIRD ANGLE PROJECTION

REV
A
 SHT 1 OF 4



- FEED HARNESS THRU CORD GRIP THEN LIGHTING PORT. SECURE CORD GRIP TO CHASSIS USING ROMEX NUT ON INSIDE.
- TURNING COUNTER CLOCKWISE, LOOSEN CORD GRIP SUFFICIENTLY TO PROVIDE AN AMOUNT OF SLACK IN HARNESS BETWEEN BREAK AWAY BRACKET AND CORD GRIP.
- ACTUATE OPERATOR AND ENSURE HARNESS IS NOT STRESSED IN OPEN OR CLOSED POSITION.
- SECURE HARNESS AT DESIRED CONDITION BY TURNING CORD GRIP CLOCKWISE UNTIL TIGHT.
- SECURE HARNESS AT BREAK AWAY BRACKET USING BLACK ZIP TIE.

NOTE: DRAWING IS NOT TO SCALE.



DOCUMENT TITLE
**INSTALL INSTRUCTIONS, STRONGARM
 BREAK AWAY WITH LIGHTS AND
 SENSOR.**

DRAWN RAW	DATE 3/3/2015
CHECKED	DATE
APPROVED	DATE

DOCUMENT NUMBER:
D0647

THIRD ANGLE PROJECTION

REV
A

SHT 2 OF 4

POWER DOWN OPERATOR PRIOR TO -

2 BREAKAWAY SENSOR CONNECTION NOT POLARITY SENSITIVE

CONNECT ONE SPADE LEAD TO COMMON TERMINAL STRIP ON POWER SUPPLY BOARD.

CONNECT OTHER SPADE TERMINAL TO SMART TOUCH BOARD:
 - BY2 (2016 & LATER): SENSOR 3 (PHOTO EYE CLOSE)
 - BY1 (PRE-2016): SENSOR 2 (PHOTO EYE OPEN)

3 ARM LIGHTS CONNECTION POLARITY SENSITIVE

CONNECT FEMALE QD LEAD TAGGED WITH +24V TO +24V SPADE ON POWER SUPPLY BOARD.

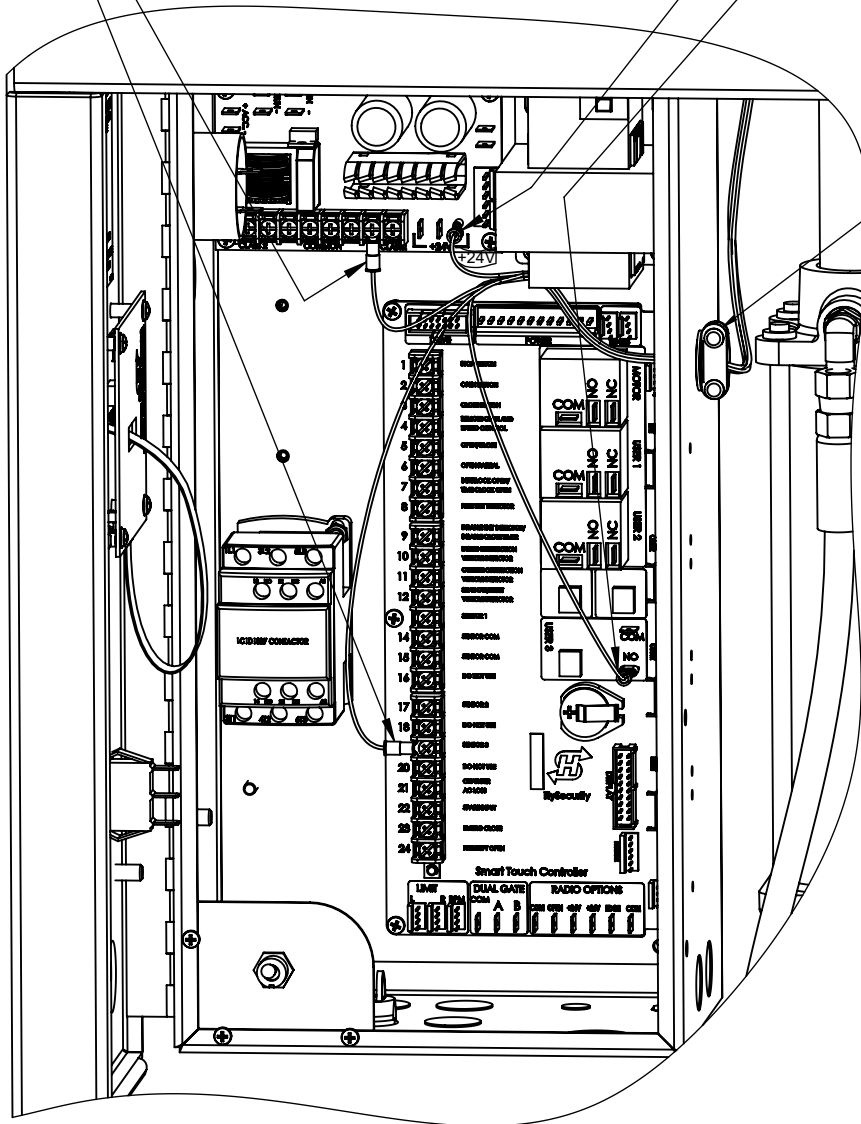
CONNECT OTHER FEMALE QD LEAD TO USER3 RELAY NO (NORMALLY OPEN) SPADE TERMINAL ON SMART TOUCH BOARD.

1 FEED AND SECURE HARNESS

REMOVE SIDE KNOCK OUT.

OPEN AND INSTALL ROMEX RESTRAINT AND SECURE WITH NUT.

FEED HARNESS THRU TO INSIDE AND SECURE BY CLOSING ROMEX RESTRAINT.



NOTE: DRAWING IS NOT TO SCALE.



DOCUMENT TITLE

**INSTALL INSTRUCTIONS, STRONGARM
BREAK AWAY WITH LIGHTS AND
SENSOR.**

DRAWN

RAW

CHECKED

APPROVED

DATE

3/3/2015

DATE

DATE

DOCUMENT NUMBER:

D0647

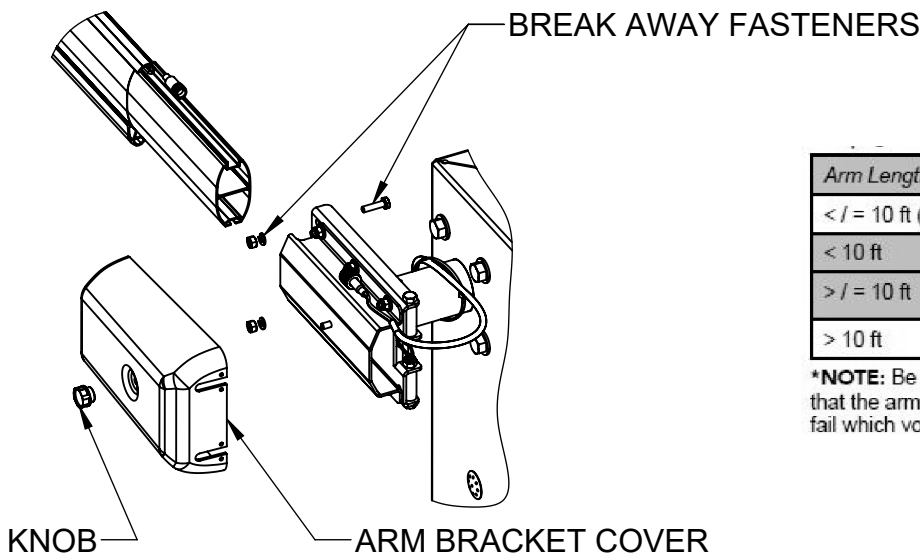
THIRD ANGLE PROJECTION

REV

A

SHT 3 OF 4

- SET THE USER RELAY 3 LOGIC FUNCTION TO ONE OF THE FOLLOWING:
 - A. R2 "19": LED LIGHTS FLASH WHEN THE ARM IS NOT ON THE OPEN LIMIT.
 - B. R2 "27": LED LIGHTS REMAIN ON THROUGHOUT ARM TRAVEL AND TURN OFF WHEN OPEN LIMIT IS REACHED.
 - C. R2 "28": LED LIGHTS FLASH THROUGHOUT ARM TRAVEL AND TURN OFF WHEN OPEN LIMIT IS REACHED.
- PRESS MENU TO RETURN TO RUN MODE OR SET THE BREAK AWAY SWITCH AS FOLLOWS-
- TO TURN ON THE MAGNETIC PROXIMITY SWITCH IN THE BREAK AWAY ARM ASSEMBLY, NAVIGATE TO BA IN THE INSTALLER MENU.
- SELECT BA AND CHANGE THE MENU ITEM TO 1.
- EXIT THE INSTALLER MENU MODE BY PRESSING MENU TO RETURN TO RUN MODE.
- TEST BREAK AWAY SENSOR FUNCTION BY MANUALLY OPENING BRACKET. DISPLAY SHOULD INDICATE -
 FAULT 7
 MISSING ARM
 IF OPERATING CORRECTLY.
- POWER OPERATOR DOWN.
- INSTALL BREAK AWAY FASTENERS BASED ON CHART.
 EACH BOLT IS SECURED WITH AN ALUMINUM LOCK WSHR AND NYLON HEX NUT.
 TORQUE TO 15in-lb.
- INSERT BARRIER ARM INTO ATTACHMENT PLATE AND SECURE USING SUPPLIED HARDWARE.
- CONNECT LIGHTING:
 MAKE CERTAIN CONNECTORS ARE FULLY SEATED BEFORE SCREWING HALVES TOGETHER.
- INSTALL ARM BRACKET COVER AND SECURE WITH PROVIDED KNOB.
- POWER OPERATOR UP AND PUT INTO SERVICE.



Arm Length	Fasteners	Applies to:
< / = 10 ft (3 m)	2 nylon bolts	Low wind
< 10 ft	1 nylon bolt and 1 steel bolt	High wind
> / = 10 ft		Low wind
> 10 ft	2 steel bolts*	High wind

***NOTE:** Be aware, when using two steel bolts, that the arm may bend before the nylon nuts fail which voids the Limited Warranty.

NOTE: DRAWING IS NOT TO SCALE.



DOCUMENT TITLE
**INSTALL INSTRUCTIONS, STRONGARM
 BREAK AWAY WITH LIGHTS AND
 SENSOR.**

DRAWN RAW	DATE 3/3/2015
CHECKED	DATE
APPROVED	DATE

DOCUMENT NUMBER:
D0647

THIRD ANGLE PROJECTION

REV
A

SHT 4 OF 4