

MX001223  
 MX001224  
 MX001229  
 MX001782

# SlideDriver™ Snow Kit

**HySecurity SlideDriver chassis snow brushes and drive rail snow scrapers keep your gate functioning in heavy snow and ice conditions.**

**Reduce snow and ice buildup with the snow brush and scraper kit.** The snow scraper kit maximizes wheel traction and the brushes prevent snow from entering the operator housing to ensure smooth limit switch operation.

SlideDriver chassis snow brushes and drive rail snow scrapers allow the wheels to make direct contact with the drive rail to reduce slippage and help prevent snow and ice from interrupting gate automation.

Snow brush and snow scraper kits can be ordered together or separately. Cold weather heater strip and thermostat also available.

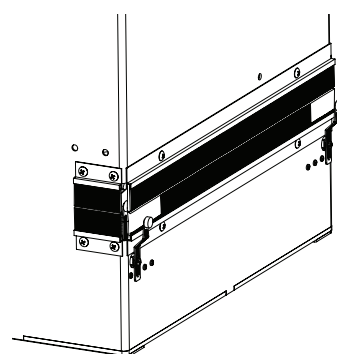
SlideDriver functions exceptionally well in arctic temperature conditions. Its hydraulics cycle gates in -40F (-40C) to 158F (70C) climates, far colder (and hotter) than any electromechanical operator.



Snow brush and snow scraper kits.

### Installation on SlideDriver 50VF2/3

SlideDriver 50VF2/3 operators, limit switch arms are mounted on the outside of the SlideDriver chassis. On occasion, these arms can stick due to ice buildup and cause the drive rail to jam. If this occurs often, cut approximately 4-inches (10cm) off the ends of the lower brush as shown here. Pack the limit switches with silicone grease to help prevent ice buildup.



**SYSTEM DESIGN SUPPORT:** Contact HySecurity for CAD drawings, technical manuals, help with custom site requirements or other specifications support. Download operator specifications online at [www.hysecurity.com](http://www.hysecurity.com) or call to speak with a HySecurity representative today.