

120VAC - MX001225
 208VAC - MX001226
 240VAC - MX001227
 480VAC - MX001228
 575VAC - MX001385

Internal Solenoid Lock

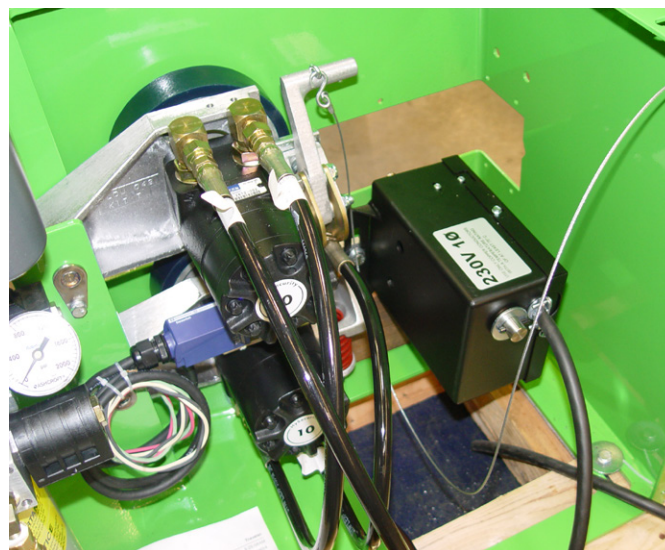
SlideDriver Deadbolt Lock

Ultimate Security

The internal solenoid-operated deadbolt lock employs a 3/4 inch. (19 mm) stainless-steel lock pin to lock the gate in the closed position. As a standard specification on correctional sites, the internal solenoid lock provides the additional security that these sites demand.

The Internal Solenoid Lock includes a Tamper Switch option which is automatically tripped when the Toggle Handle is moved from the locked to the unlocked position; that is, when the Drive Wheels are unclamped from the Drive Rail. This notification allows the user to immediately react to an attempt to unlock the gate.

Easily integrates with the Smart Touch Controller to command the solenoid lock to open a fraction of a second prior to the electric motor energizing.



Additional Benefits

- **Easy to use.** No programming required when installed at the factory
- **Low power draw**
- **Voltages available:** 120/240/480/575VAC (If the Gate Operator voltage is modified, make sure the Solenoid Lock is also changed.)

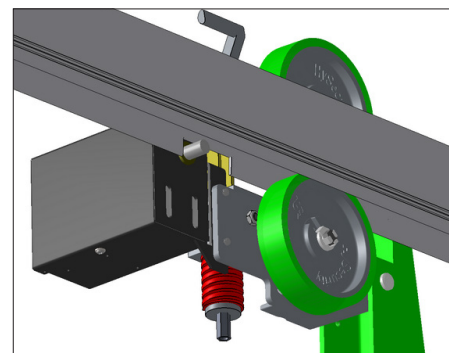
» Must be used with "old style" flanged drive rail
 » AC operators ONLY



SlideDriver - AC models



Internal Solenoid Lock Kit



"Old style" flange drive rail