

Green - MX001033
 Custom Color - MX002618
 Stainless Steel Green - MX002619
 Galvanized - MX002620
 Stainless Steel - MX002613

Base Extension

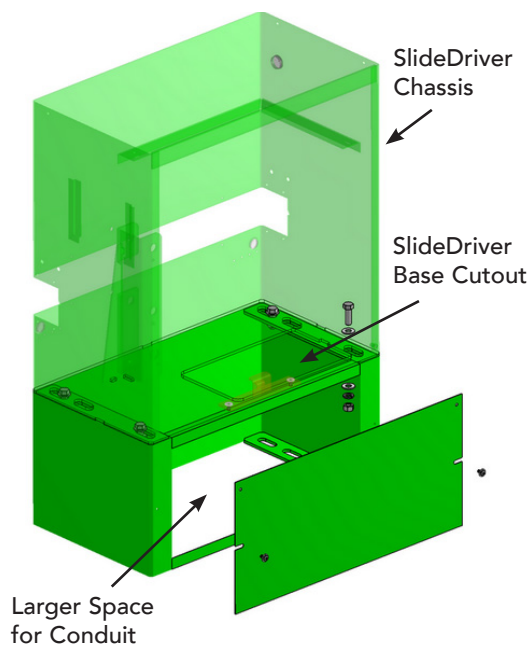
Compatible with operator models:

SlideDriver 15 • SlideDriver 30F • SlideDriver 40 • SlideDriver 50VF2/3 • SlideDriver 80



Raise the SlideDriver operator 12 inches for additional conduit accessibility and operator flexibility

Conduit can often be set in the concrete base pad without consideration of the SlideDriver base cutout location. The Base Extension compensates for this type of issue by providing a much larger opening while raising the SlideDriver an additional 12 inches (30.5 cm) to help protect the internal components against water, snow or sand buildup.



Easily installs underneath SlideDriver

- Secures to the base of the operator using four cap screws
- Raises operator 12 inches (30.5 cm) for improved access to internal components
- Provides additional drive rail height for custom site specifications
- Elevates the internal components out of depressions where water, snow or sand buildup is a concern
- Weighs 52 lbs (23.6 kg) total

SlideDriver Base Extension Kit includes:

- Base Extension
- Cover to the Base Extension
- Hardware to attach the cover to the Base Extension
- Hardware to attach the SlideDriver chassis to the Base Extension

