



StrongSlide™ M50



Installation Instructions



Contents

Safety Requirements.....	2
Plan Site Design.....	3
Prepare Foundation.....	4
Assemble Rebar.....	5 - 6
Install Rebar.....	7
Install Conduit in Rebar.....	8
Pre-Assemble Anchors.....	9
Assemble Anchor Supports.....	10
Locate Anchors.....	11
Finish Anchor Assemblies.....	12
Secure Anchors and Supports.....	13
Pour Concrete.....	14
Install Arrestor Posts.....	15
Install Gate Supports.....	16
Adjust Clearances.....	17
Fill Arrestor Posts.....	18
Mount SlideDriver.....	19
Mount Panels and Signs.....	20

Safety Requirements

DANGER

Refer to UL 325, ASTM F2200, and SlideDriver operation manual for complete safety information. Failure to follow the instructions and safety information may result in death or serious injury.

The StrongSlide automatic vehicular gate system is designed for UL 325 Usage Class IV installations only. A SlideDriver installed on a StrongSlide gate is restricted to Usage Class IV only.

It is the responsibility of the system designer and/or installer to ensure any safety or operational issues have been addressed.*

*Disclaimer: All gate installations using HySecurity vehicular gate operators must comply with UL325 and ASTM F2200 safety standards in addition to any local area codes and standards. Site, gate hardware, usage class, and other conditions will dictate the use of additional safety designs and components. All safety related warnings and notices in this document, and any diagrams, drawings, photographs and similar content should not be considered guidance on how to make your particular site safe and code compliant. It is the responsibility of the gate system designer, installer and owner to assess appropriate safety design considerations, correct implementation and ongoing maintenance of any system.



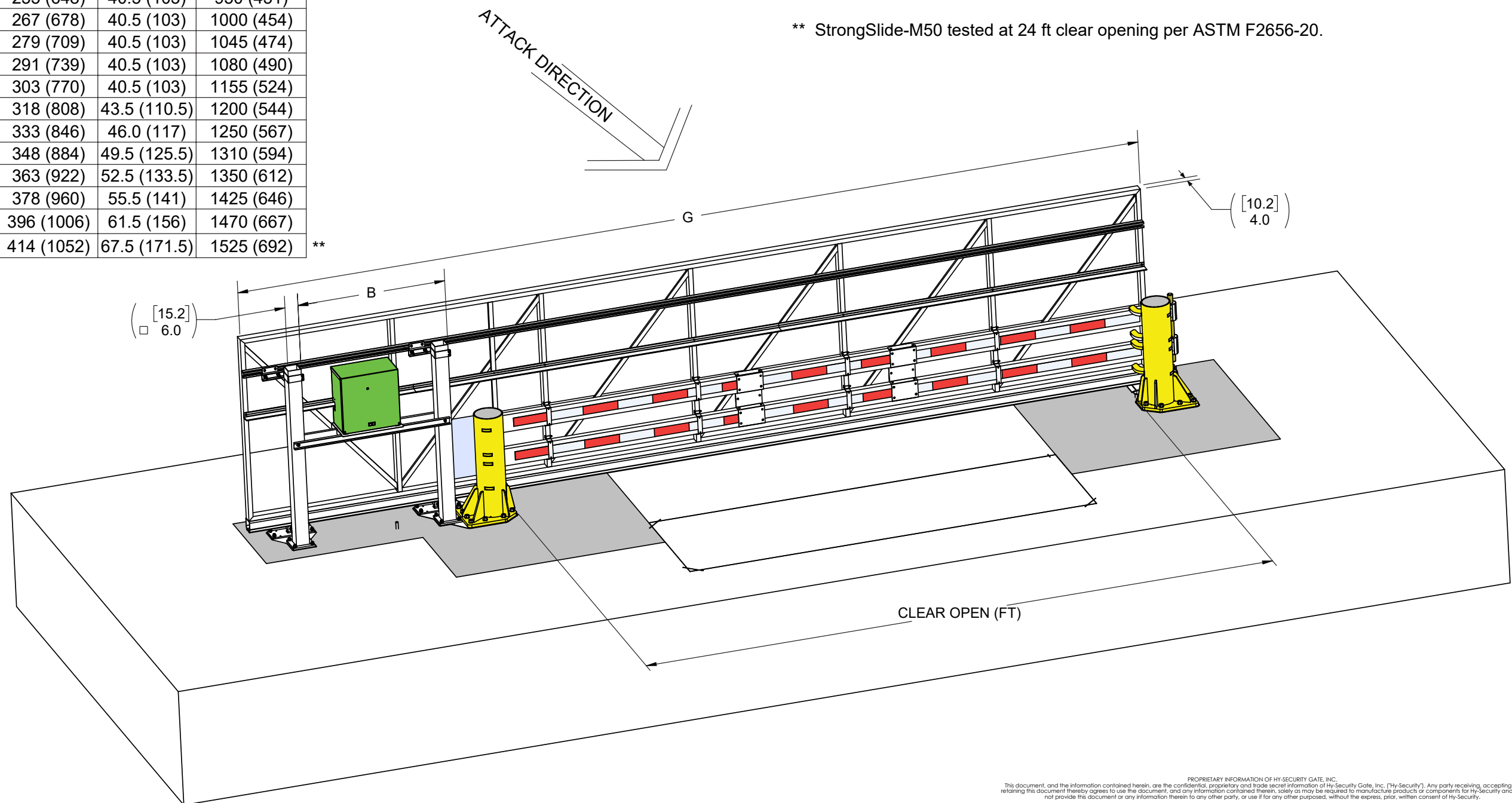
Visit support.hysecurity.com for Installation manuals, replacement part instructions, part diagrams and more.

StrongSlide M50: Plan Site Design

FULL ASSEMBLY VIEW:

Note: Determine roadway width and plan for additional clearances to install StrongSlide.

CLEAR OPEN	G	B ²	Gate Weight
ft (cm)	inch (cm)	inch (cm)	lb (kg) ¹
12 (366)	243 (617)	40.5 (103)	900 (408)
13 (396)	255 (648)	40.5 (103)	950 (431)
14 (427)	267 (678)	40.5 (103)	1000 (454)
15 (457)	279 (709)	40.5 (103)	1045 (474)
16 (488)	291 (739)	40.5 (103)	1080 (490)
17 (518)	303 (770)	40.5 (103)	1155 (524)
18 (548)	318 (808)	43.5 (110.5)	1200 (544)
19 (579)	333 (846)	46.0 (117)	1250 (567)
20 (610)	348 (884)	49.5 (125.5)	1310 (594)
21 (640)	363 (922)	52.5 (133.5)	1350 (612)
22 (671)	378 (960)	55.5 (141)	1425 (646)
23 (701)	396 (1006)	61.5 (156)	1470 (667)
24 (731.5)	414 (1052)	67.5 (171.5)	1525 (692) **



¹ GATE WEIGHT IS FRAME AND ARRESTOR ASSEMBLY ONLY. SEE SITE SPECIFIC DRAWING FOR TOTAL GATE WEIGHT WITH INFILL MATERIAL.

² SEE SITE SPECIFIC DRAWING FOR CONFIRMATION OF SPAN BETWEEN POSTS. HEAVY NON-STANDARD GATES MAY REQUIRE A WIDER DISTANCE.

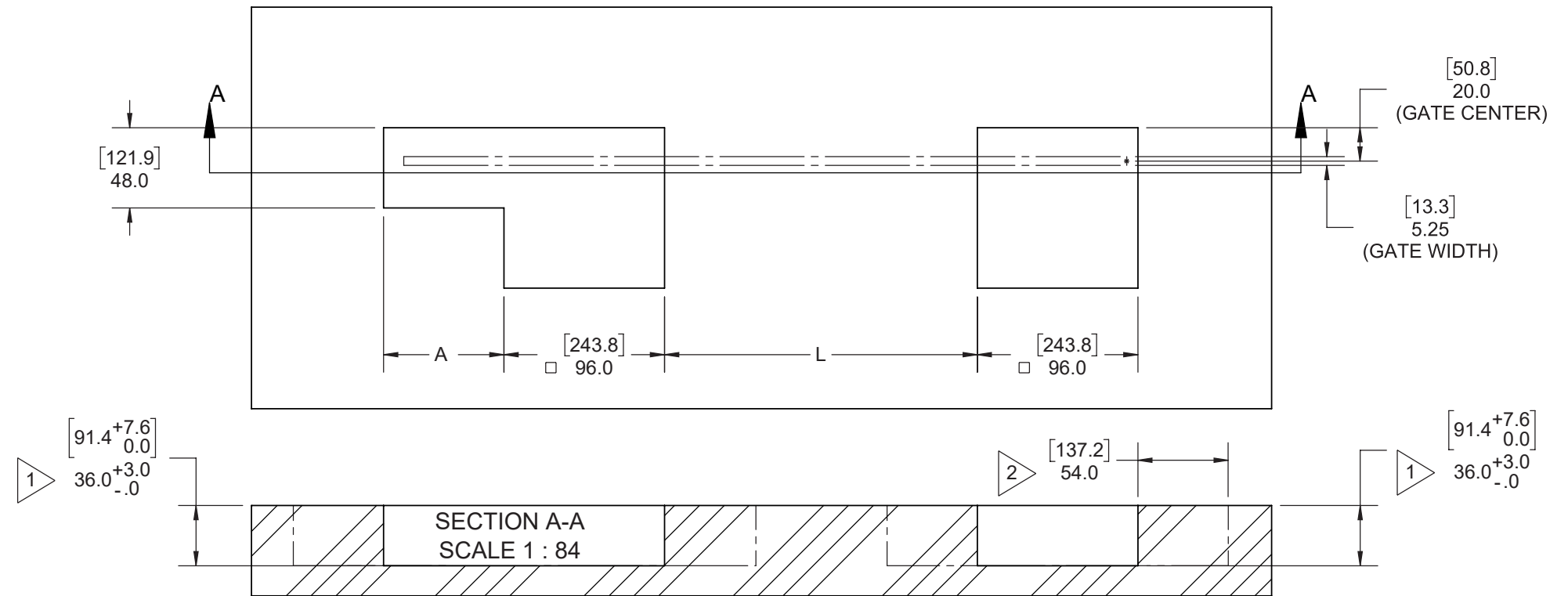
PROPRIETARY INFORMATION OF HY-SECURITY GATE, INC.
This document, and the information contained herein, are the confidential, proprietary and trade secret information of Hy-Security Gate, Inc. ([Hy-Security]). Any party receiving, accepting or retaining this document thereby agrees to use the document, and any information contained therein, solely as may be required to manufacture products or components for Hy-Security and will not provide this document or any information therein to any other party, or use it for any other purposes, without the express, prior, written consent of Hy-Security.

StrongSlide M50: Prepare Foundation

FOUNDATION PREPERATION

CLEAR OPEN	FOUNDATOIN SPAN 'L'	A 5
ft (cm)	inch (cm)	inch (cm)
12 (366)	43.0 (109)	45.0 (114.5)
13 (396)	55.0 (140)	45.0 (114.5)
14 (427)	67.0 (170)	45.0 (114.5)
15 (457)	79.0 (200.5)	45.0 (114.5)
16 (488)	91.0 (231)	45.0 (114.5)
17 (518)	103.0 (261.5)	45.0 (114.5)
18 (548)	115.0 (292)	48.0 (122)
19 (579)	127.0 (322.5)	51.0 (129.5)
20 (610)	139.0 (353)	54.0 (137)
21 (640)	151.0 (383.5)	57.0 (145)
22 (671)	163.0 (414)	60.0 (152.5)
23 (701)	175.0 (444.5)	66.0 (167.5)
24 (731.5)	187.0 (475)	72.0 (183)

** StrongSlide-M50 tested at 24 ft clear opening per ASTM F2656-20.

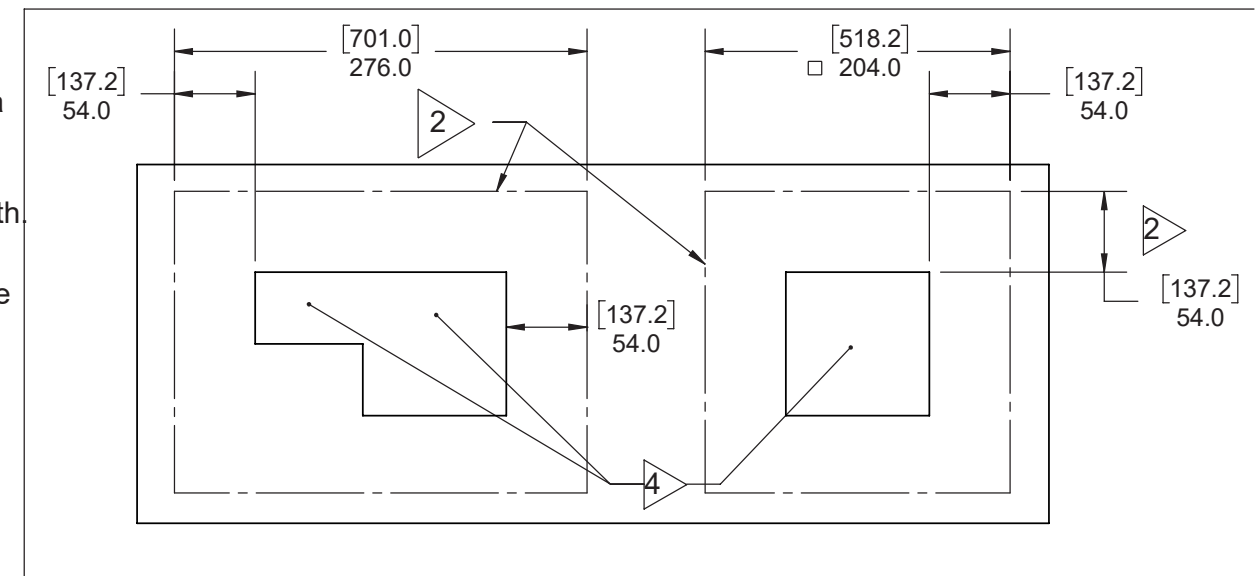


NOTES:

- PER ASTM F2656 SECTION 7.2.2, "Soil shall be low-cohesive, well-graded crushed stone or broken gravel of a particle size distribution comparable to Table 3" "Soil shall have a depth equal to the bottom of the foundation and width equal to 1.5 times the foundation depth behind the barrier"
 - Foundation depth is 36" (91.4cm), therefore all specified perimeter soil must match this 36" (91.4cm) depth
 - Width of specified soil must be 54" (137.2cm) to each side of the foundation. (36" * 1.5 = 54")
- "The low-cohesive soil shall be compacted to a density of not less than 90% maximum dry density in accordance with Test Methods D1556 and D6938 and AASHTO Method of Test T099 and meet Table 3 for gradation.
- ASTM F2656 Table 3:

TABLE 3 Recommended Soil Foundation Material (from AASHTO M147-65)

Sieve Size, mm [in.]	Mass % Passing
50.0 [2]	100
25.0 [1]	75-95
9.5 [3/8]	40-75
4.75 [No. 4]	30-60
2.00 [No. 10]	20-45
0.425 [No. 40]	15-30
0.075 [No. 200]	5-20



- RECOMPACT SOIL IF FOUNDATION FLOOR IS DISTURBED.
- SEE SITE SPECIFIC DRAWING FOR CONFIRMATION OF SPAN BETWEEN POSTS. HEAVY NON-STANDARD GATES MAY REQUIRE A WIDER DISTANCE.

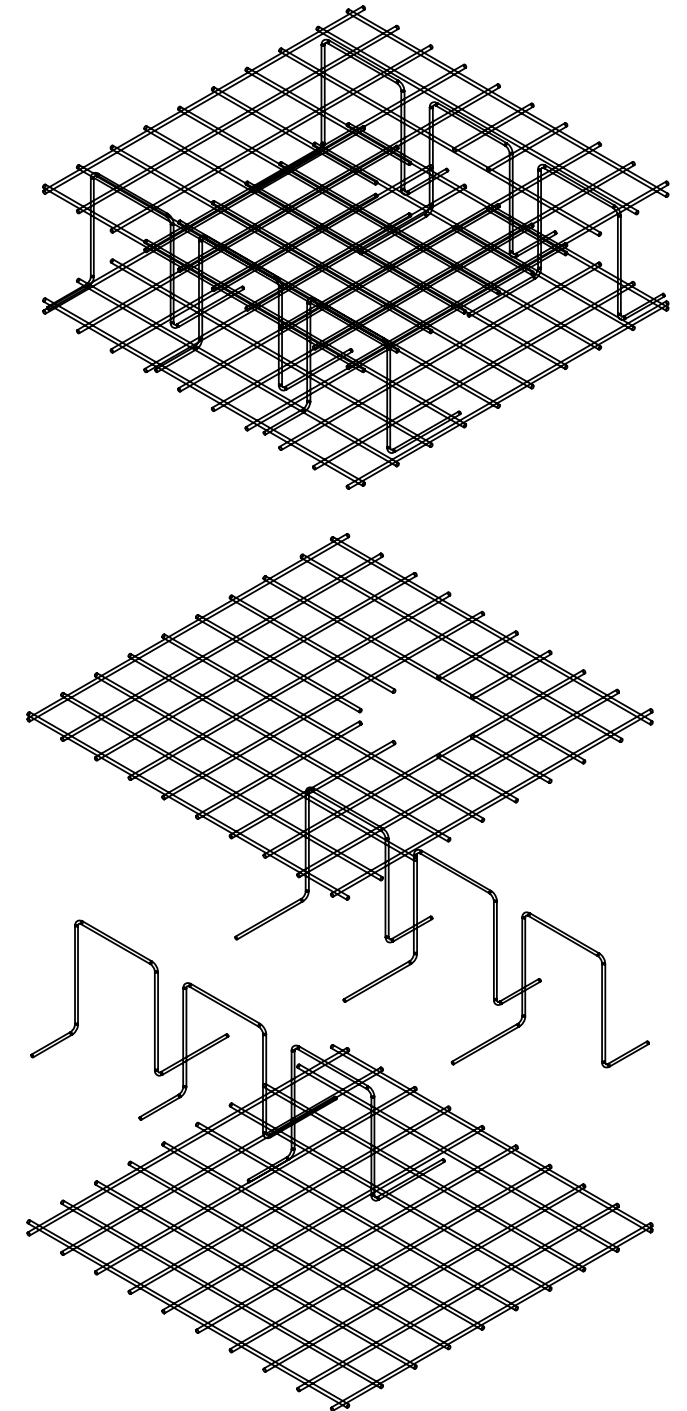
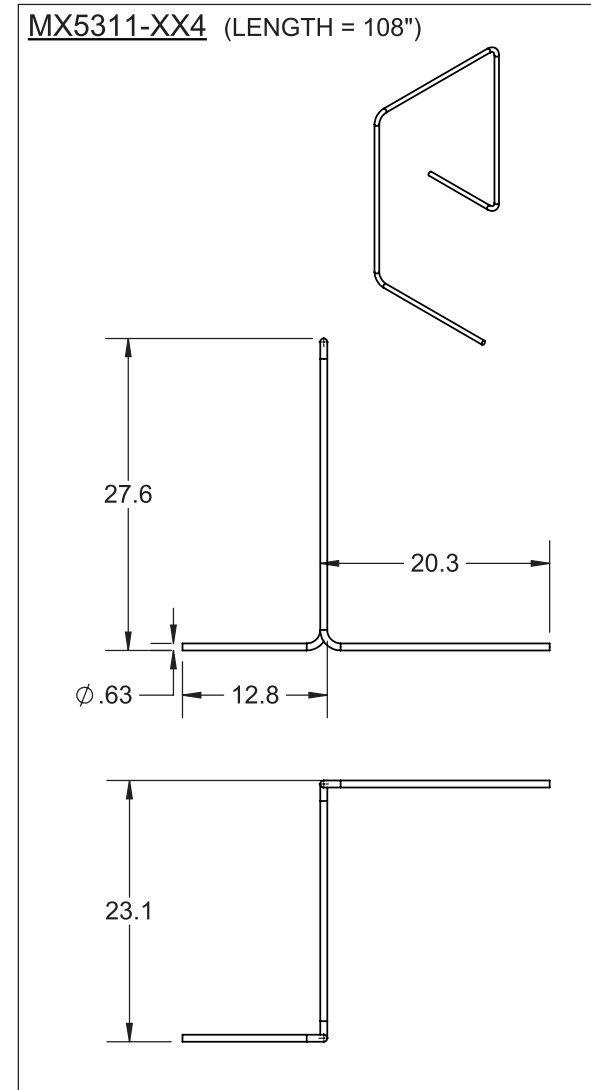
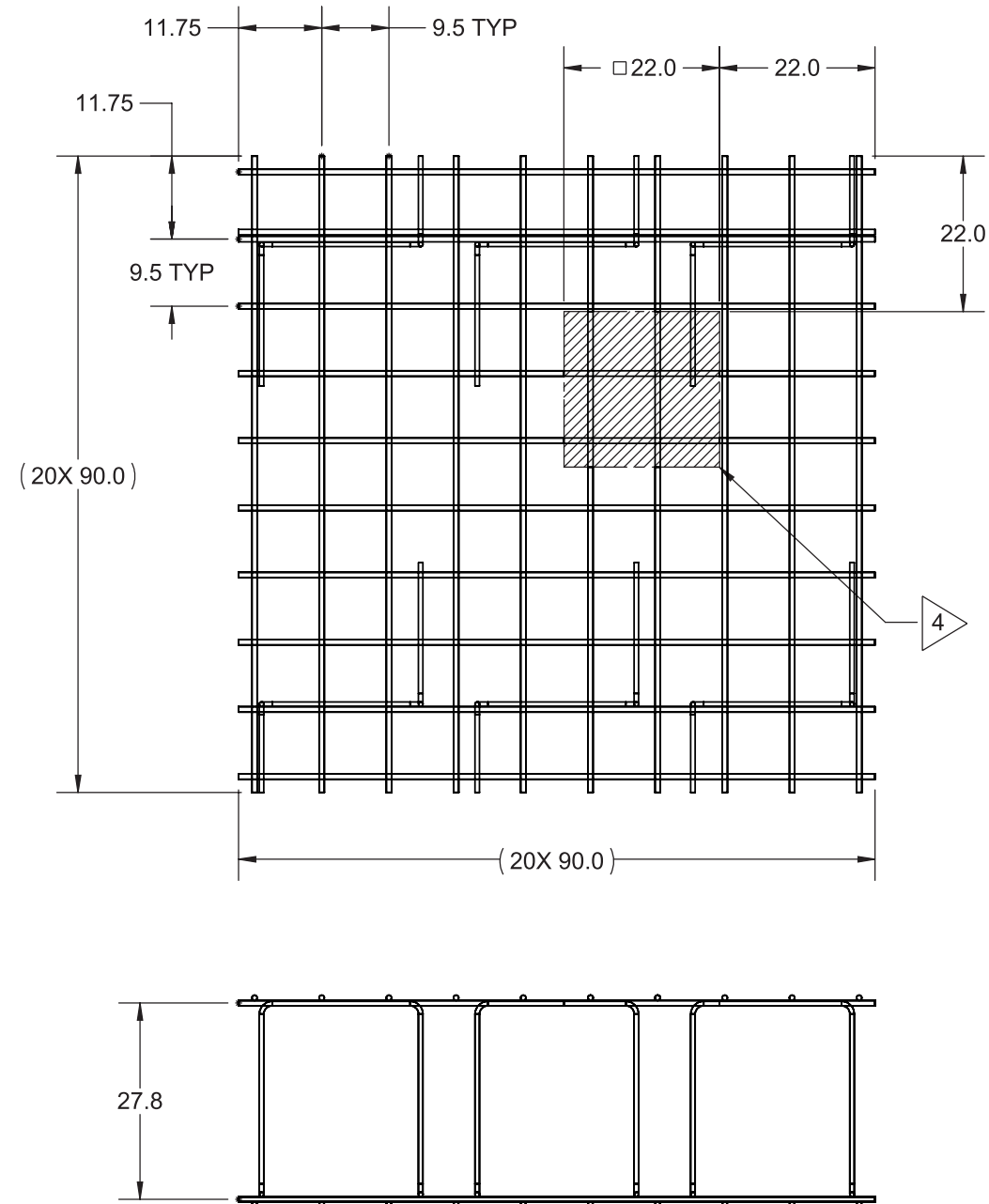
PROPRIETARY INFORMATION OF HY-SECURITY GATE, INC. This document, and the information contained herein, are the confidential, proprietary and trade secret information of Hy-Security Gate, Inc. ("Hy-Security"). Any party receiving, accepting or retaining this document thereby agrees to use the document, and any information contained therein, solely as may be required to manufacture products or components for Hy-Security and will not provide this document or any information therein to any other party, or use it for any other purpose, without the express, prior, written consent of Hy-Security.

StrongSlide M50: Assemble Rebar

ITEM	PART NO.	DESCRIPTION	QTY.
2	MX5311-XX5	REBAR, #6(3/4"), ASTM A615, GRADE 60, L=90"	40
3	MX5311-XX4	REBAR, #5(5/8"), ASTM A615, GRADE 60, L=106"	6

MX5311-01 (M50 REBAR)

{Weight: 525 lbs}



NOTES:

1. WIRE TIE CONNECT 50% OF ALL REBAR INTERSECTIONS TO FORM TOP & BOTTOM MAT STRUCTURE.
2. EVENLY SPACE 9 REBAR CHAIRS AND WIRE TIE LEGS TO BOTTOM MAT.
3. PLACE TOP MAT ON TOP OF REBAR CHAIR HEADS. WIRE TIE IN 3 PLACES PER CHAIR.
4. CUT AREA FOR ANCHOR TEMPLATE. TOP REBAR LEVEL ONLY.

PROPRIETARY INFORMATION OF HY-SECURITY GATE, INC.
This document, and the information contained herein, are the confidential, proprietary and trade secret information of Hy-Security Gate, Inc. ("Hy-Security"). Any party receiving, accepting or retaining this document hereby agrees to use the document, and any information contained therein, solely as may be required to manufacture products or components for Hy-Security and will not provide this document or any information therein to any other party, or use it for any other purpose, without the express, prior, written consent of Hy-Security.

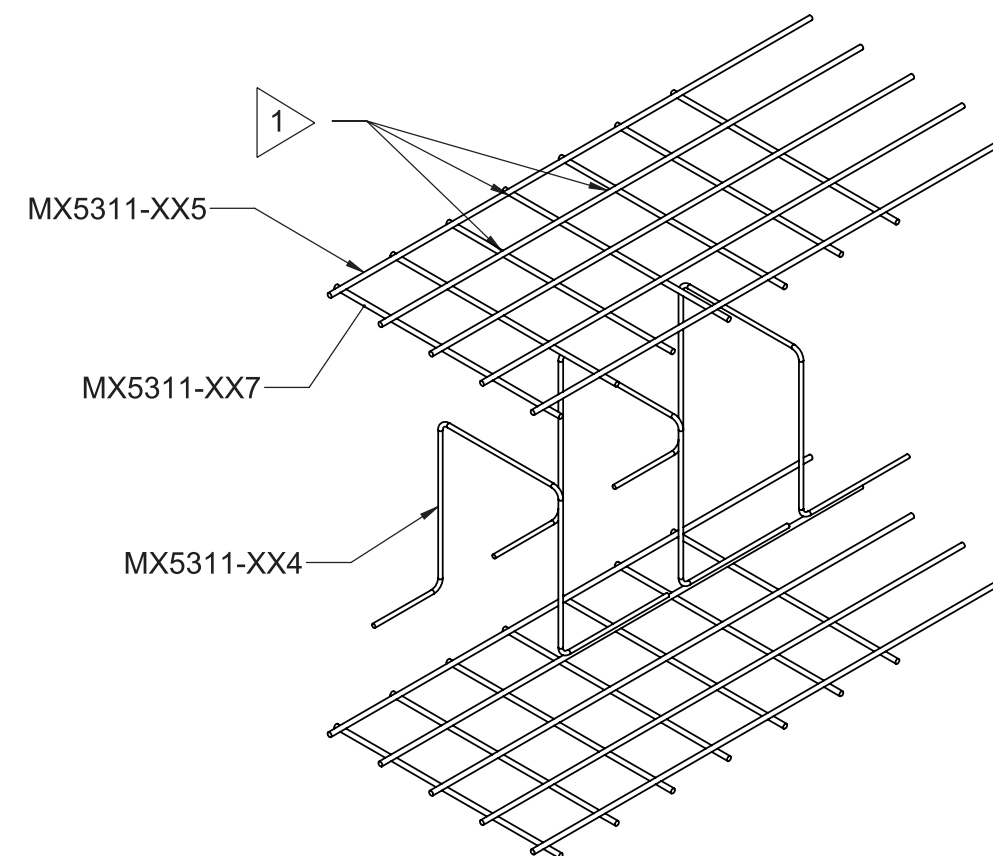
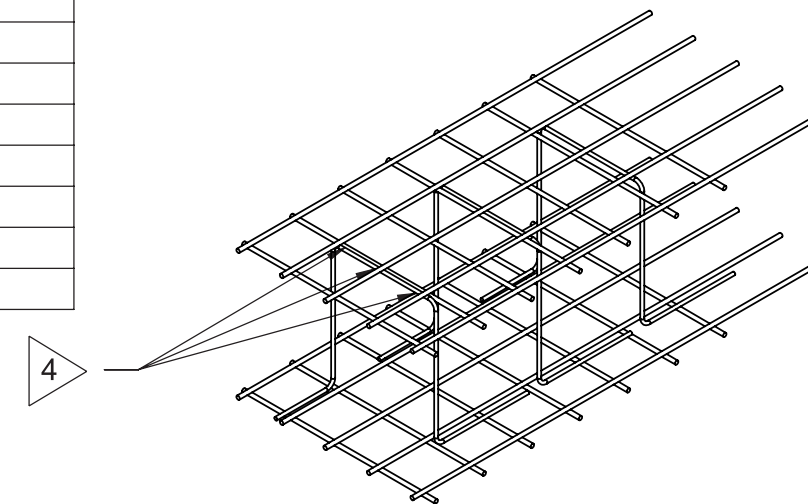
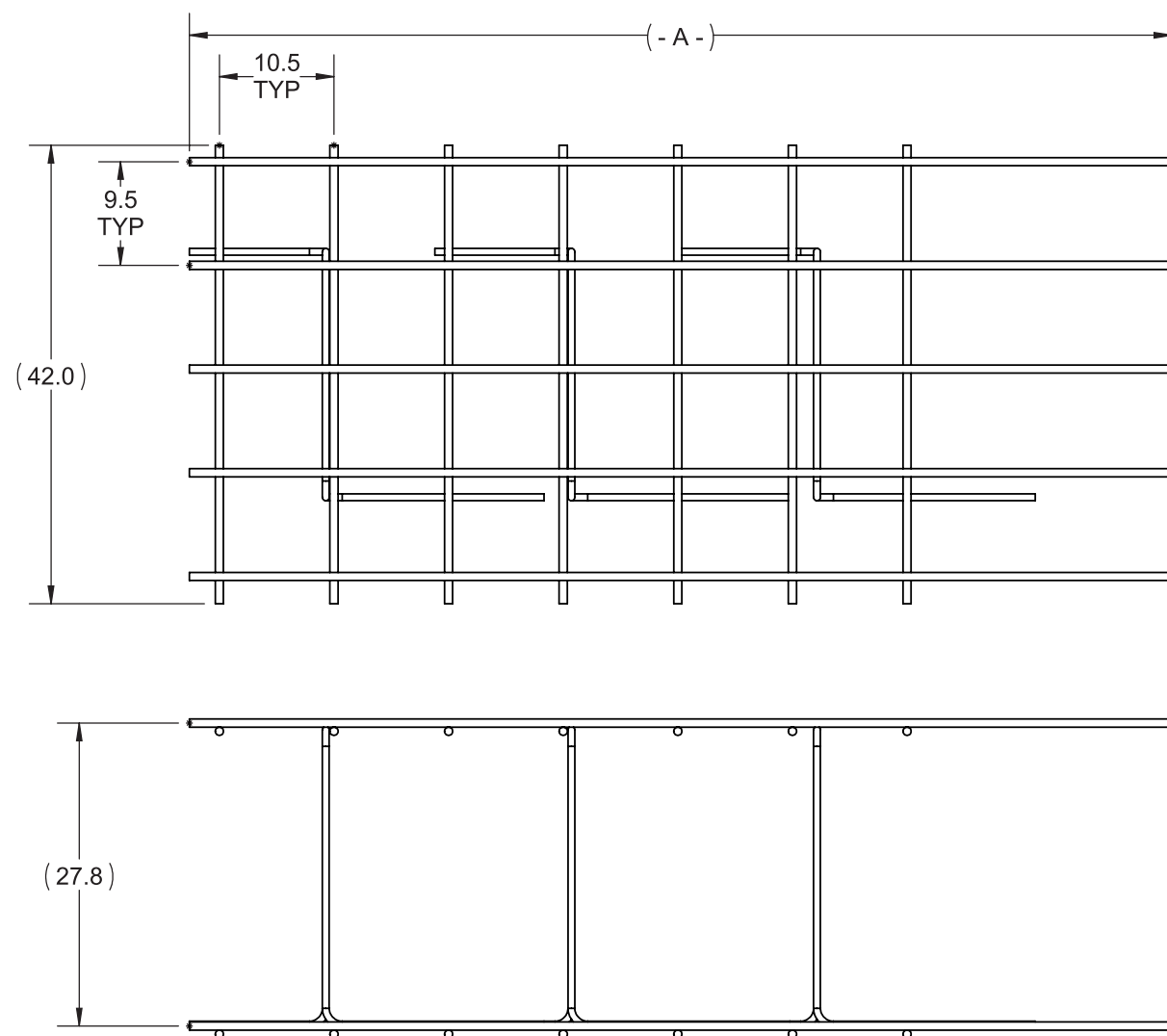
Note: Rebar and lumber not included.

StrongSlide M50: Assemble Rebar

ITEM	PART NO.	DESCRIPTION	QTY.
2	MX5311-XX4	REBAR, #5(5/8"), ASTM A615, GRADE 60, L=106"	SEE TABLE
3	MX5311-XX5	REBAR, #6(3/4"), ASTM A615, GRADE 60, L = 90	10
4	MX5311-XX7	REBAR, #6(3/4"), ASTM A615, GRADE 60, L=42"	SEE TABLE

GATE CLEAR OPEN (FT)	MX5311-XX5 - A - DIMENSION	MX5311-XX4 CHAIR - QTY	MX5311-XX7 SHORT - QTY
12-17	63	2	8
18	66	2	8
19	69	2	10
20	72	2	10
21	75	2	10
22	78	2	12
23	84	3	12
24	90	3	14

MX5311-02 (EXTENSION-GATE POST MNT.)
 {Weight: 220 lbs} (24' CLEAR OPEN SHOWN)



NOTES:

1. WIRE TIE CONNECT 50% OF ALL REBAR INTERSECTIONS TO FORM TOP & BOTTOM MAT STRUCTURE.
2. NUMBER OF CHAIRS & SHORT SECTIONS VARY PER CLEAR OPENING.
3. EVENLY SPACE REBAR CHAIRS AND WIRE TIE LEGS TO BOTTOM MAT.
4. PLACE TOP MAT ON TOP OF REBAR CHAIR HEADS. WIRE TIE IN 3 PLACES PER CHAIR.

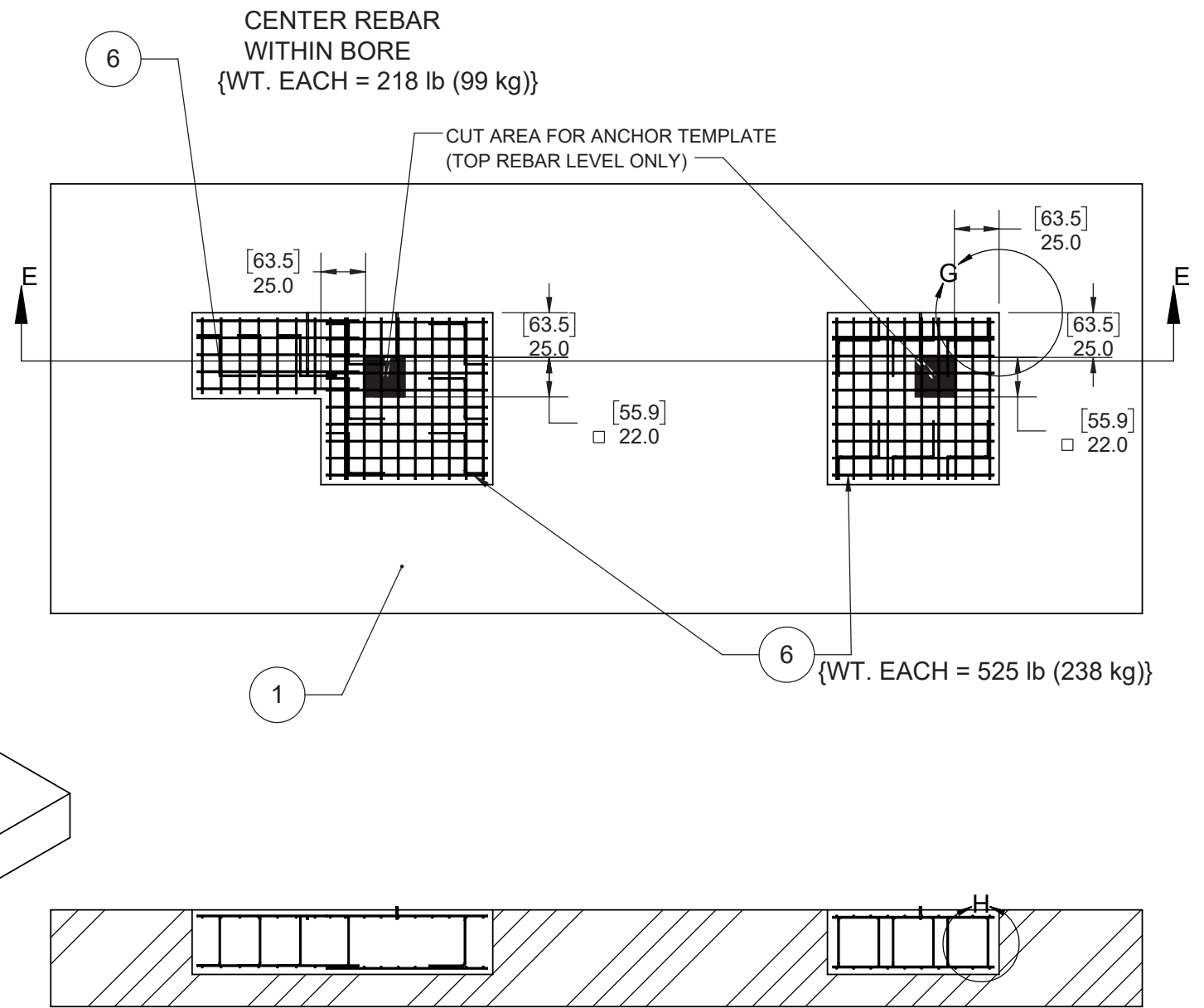
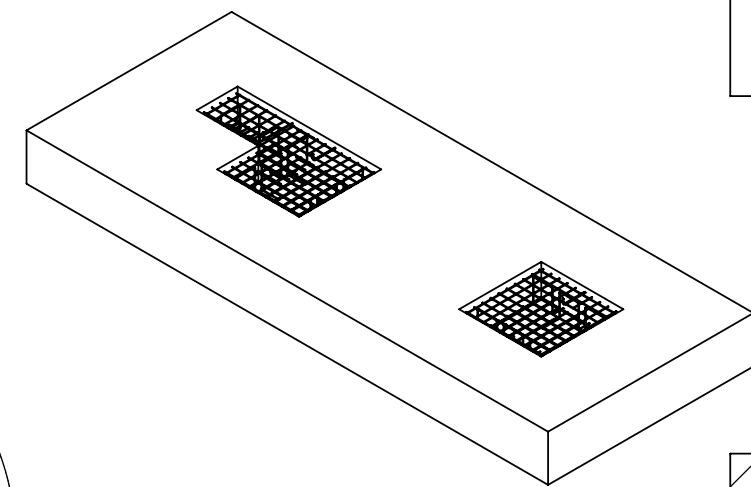
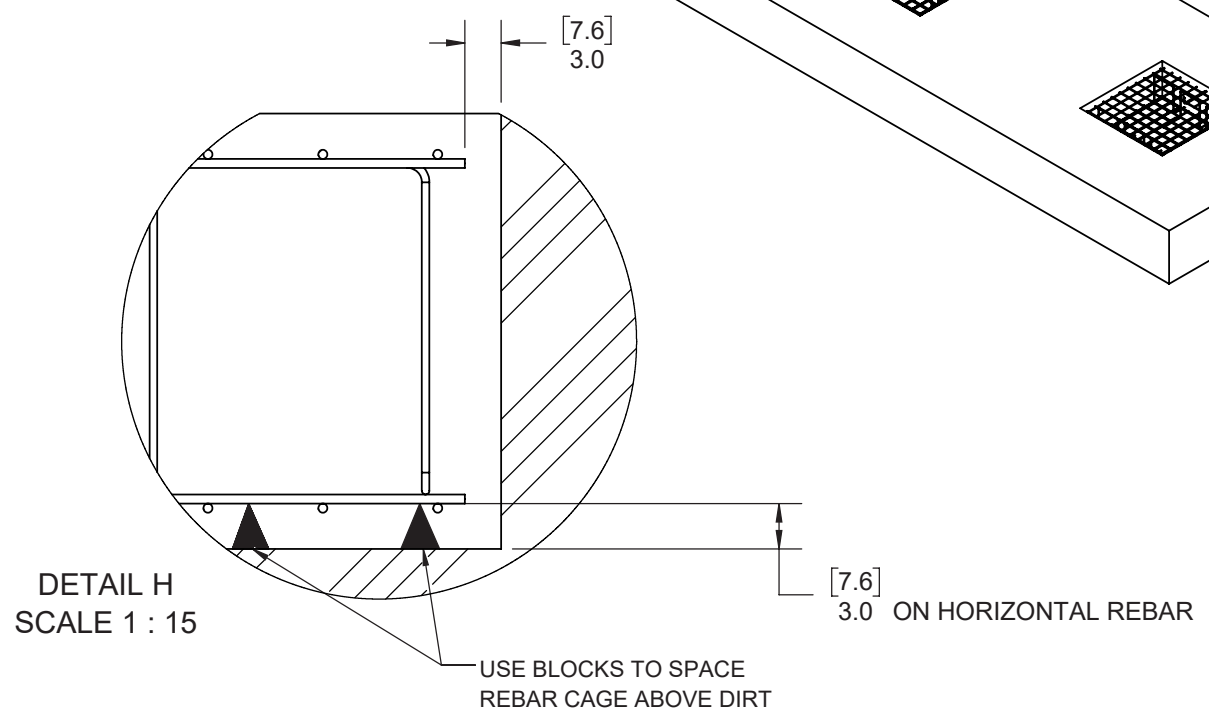
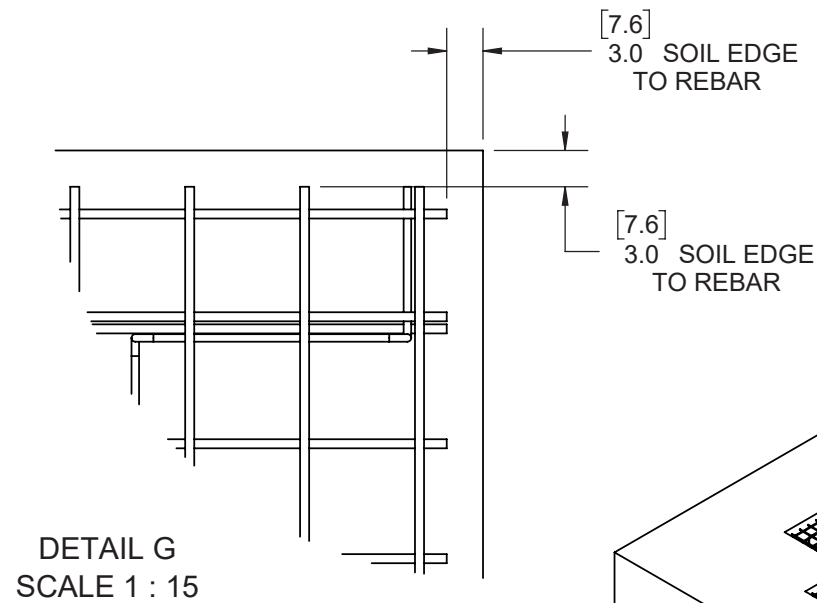
PROPRIETARY INFORMATION OF HY-SECURITY GATE, INC.
 This document, and the information contained herein, are the confidential, proprietary and trade secret information of Hy-Security Gate, Inc. ("Hy-Security"). Any party receiving, accepting or retaining this document thereby agrees to use the document, and any information contained therein, solely as may be required to manufacture products or components for Hy-Security and will not provide this document or any information therein to any other party, or use it for any other purpose, without the express, prior, written consent of Hy-Security.

Note: Rebar and lumber not included.

StrongSlide M50: Install Rebar

ASSEMBLY, SET AND ALIGN REBAR

ITEM	PART NUMBER	DESCRIPTION	QTY.
1	SOIL	REFER TO 'FOUNDATION PREPERATION'	1
2	MX5311-01	REBAR CAGE, SSLIDE-M50, 8'X8'X36"D	2
6	MX5311-02	REBAR CAGE, SSLIDE-M50, GATE POST	1



NOTES:

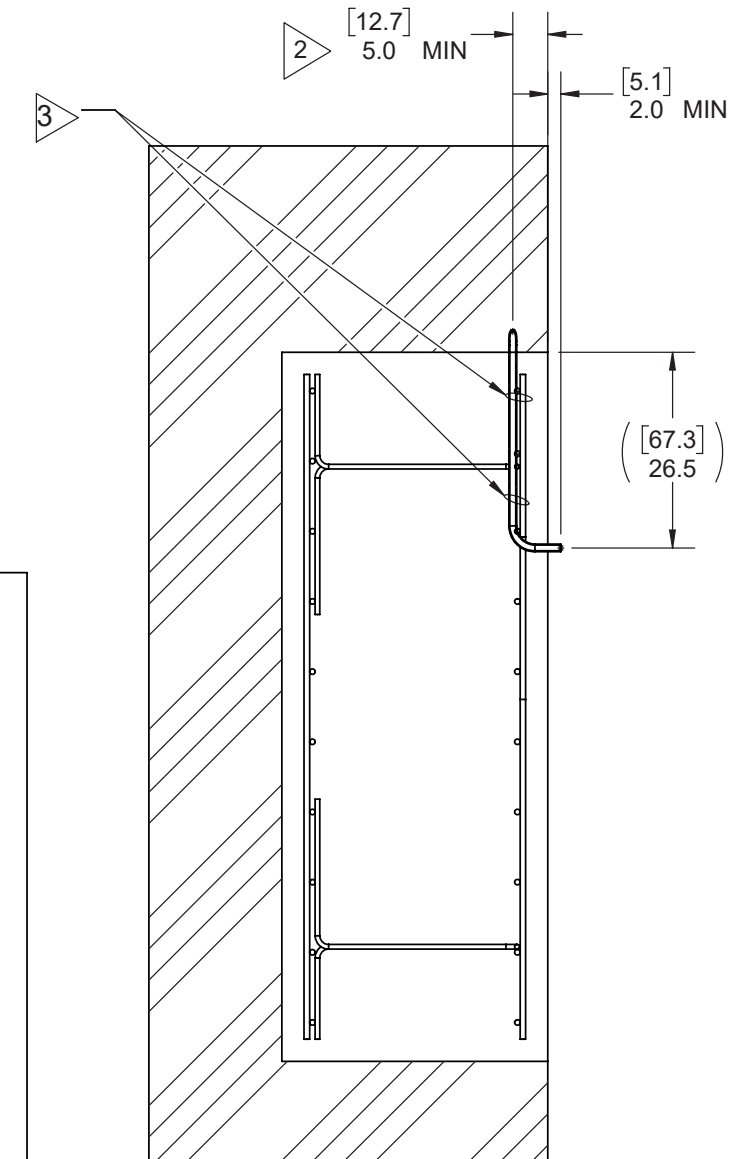
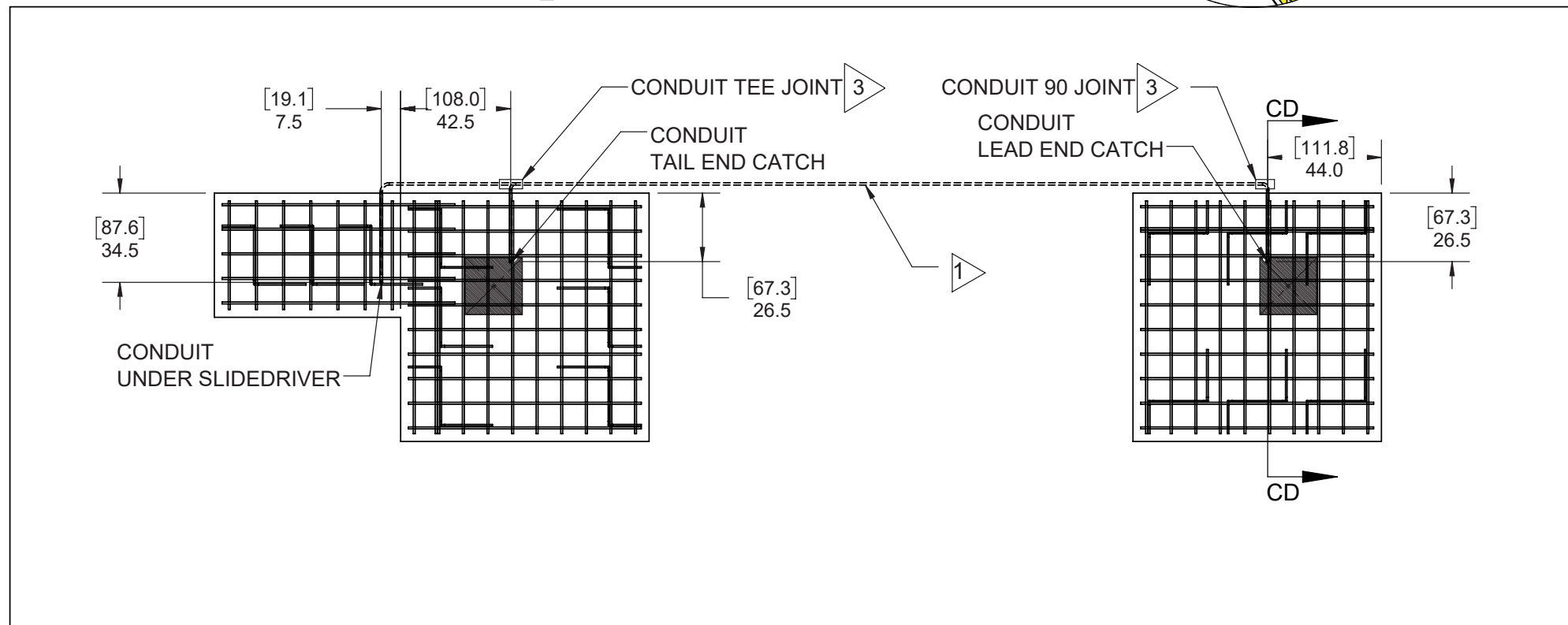
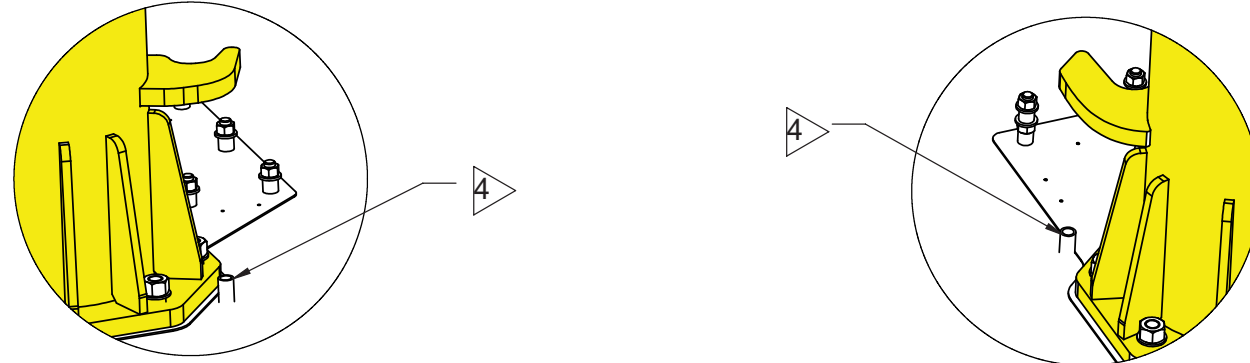
1. REFER TO DRAWING MX5311 FOR REBAR CAGE CONSTRUCTION DETAILS.

PROPRIETARY INFORMATION OF HY-SECURITY GATE, INC.
This document, and the information contained herein, are the confidential, proprietary and trade secret information of Hy-Security Gate, Inc. ("Hy-Security"). Any party receiving, accepting or retaining this document thereby agrees to use the document, and any information contained therein, solely as may be required to manufacture products or components for Hy-Security and will not provide this document or any information therein to any other party, or use it for any other purpose, without the express, prior, written consent of Hy-Security.

StrongSlide M50: Install Conduit in Rebar

ADD CONDUIT FOR PHOTO EYE, EDGE, OR SIGNAL LIGHT

ITEM	PART NUMBER	DESCRIPTION	QTY.	LOCATION
1	MX5390-XX5	CONDUIT, 3/4", SCH.40	2	ARRESTOR TO EDGE
2	MX5390-XX6	CONDUIT, 3/4", SCH.40	1	SPAN BETWEEN FOUNDATIONS
3	MX5390-XX7	CONDUIT, 3/4", SCH.40	1	OPERATOR TO TAIL END POST



SECTION CD-CD
SCALE 1 : 24
(Both Foundations)

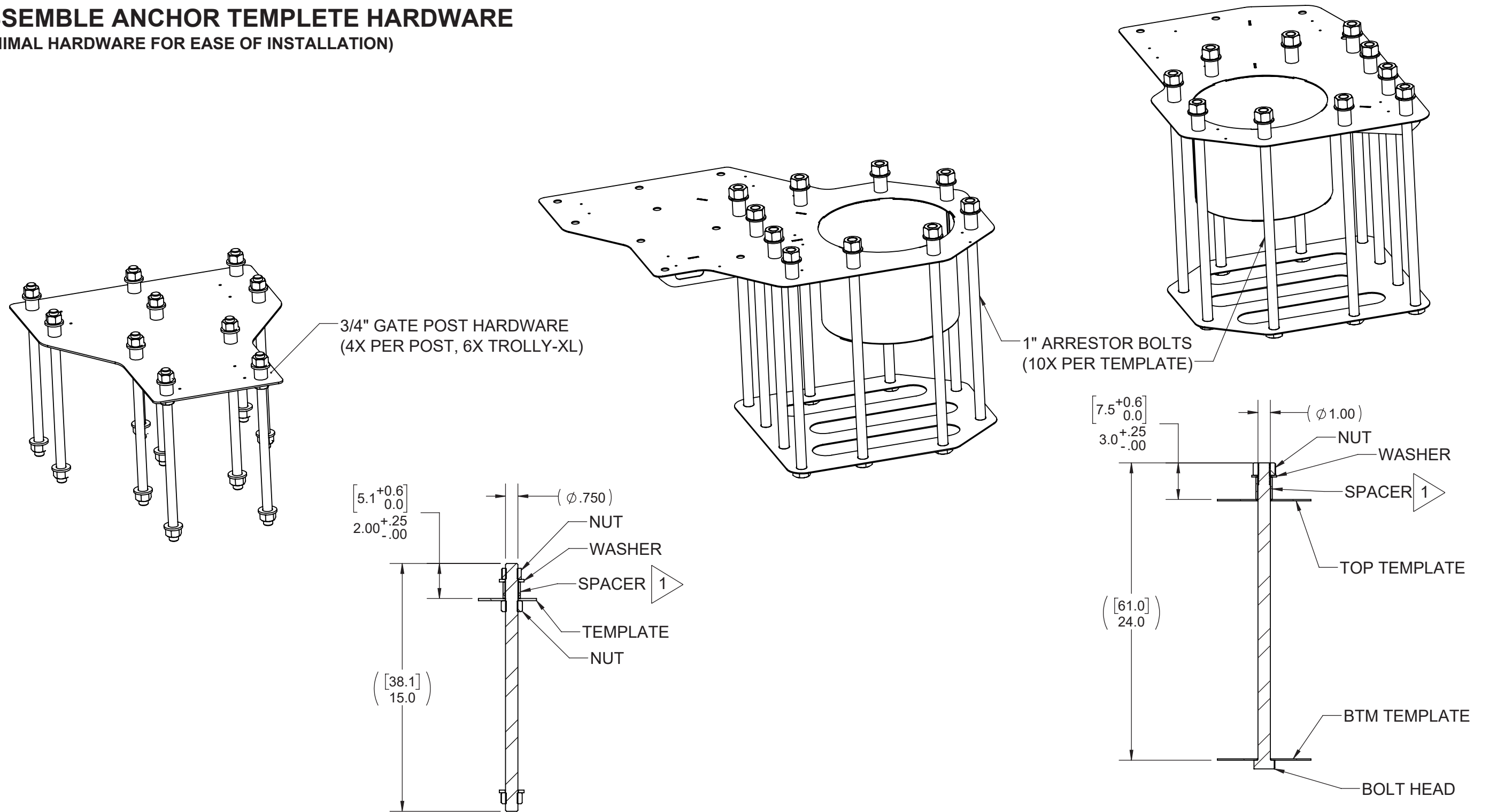
NOTES:

- 1 RUN CONDUIT BETWEEN FOUNDATION BLOCKS JUST OUTSIDE OF THE CONCRETE.
- 2 USE TEE & 90 JOINTS TO CONNECT WITH CONDUIT STUBS RUNNING PERPENDICULAR FROM THE ARRESTOR POSTS.
- 3 POSITION CONDUIT RUNS FROM THE ARRESTOR BELOW THE TOP ROW OF REBAR OR ~ 5.0" BELOW CONCRETE SURFACE. WIRE TIE CONDUIT TO REBAR TO HOLD POSITION DURING CONCRETE POUR.
- 4 REFERENCE: CONDUIT LOCATIONS AT BASE OF THE ARRESTOR POSTS.

PROPRIETARY INFORMATION OF HY-SECURITY GATE, INC.
This document, and the information contained herein, are the confidential, proprietary and trade secret information of Hy-Security Gate, Inc. ("Hy-Security"). Any party receiving, accepting or retaining this document thereby agrees to use the document, and any information contained therein, solely as may be required to manufacture products or components for Hy-Security and will not provide this document or any information therein to any other party, or use it for any other purpose, without the express, prior, written consent of Hy-Security.

StrongSlide M50: Pre-Assemble Anchors

ASSEMBLE ANCHOR TEMPLATE HARDWARE (MINIMAL HARDWARE FOR EASE OF INSTALLATION)



NOTES:

1. PLACE SPACERS AT ALL ANCHORS IN POSITIONS AS SHOWN. SPACERS INCLUDED IN KIT MX5563-02.
2. SEE ANCHOR ASSEMBLY KIT MX5315-XX FOR HARDWARE DETAILS.

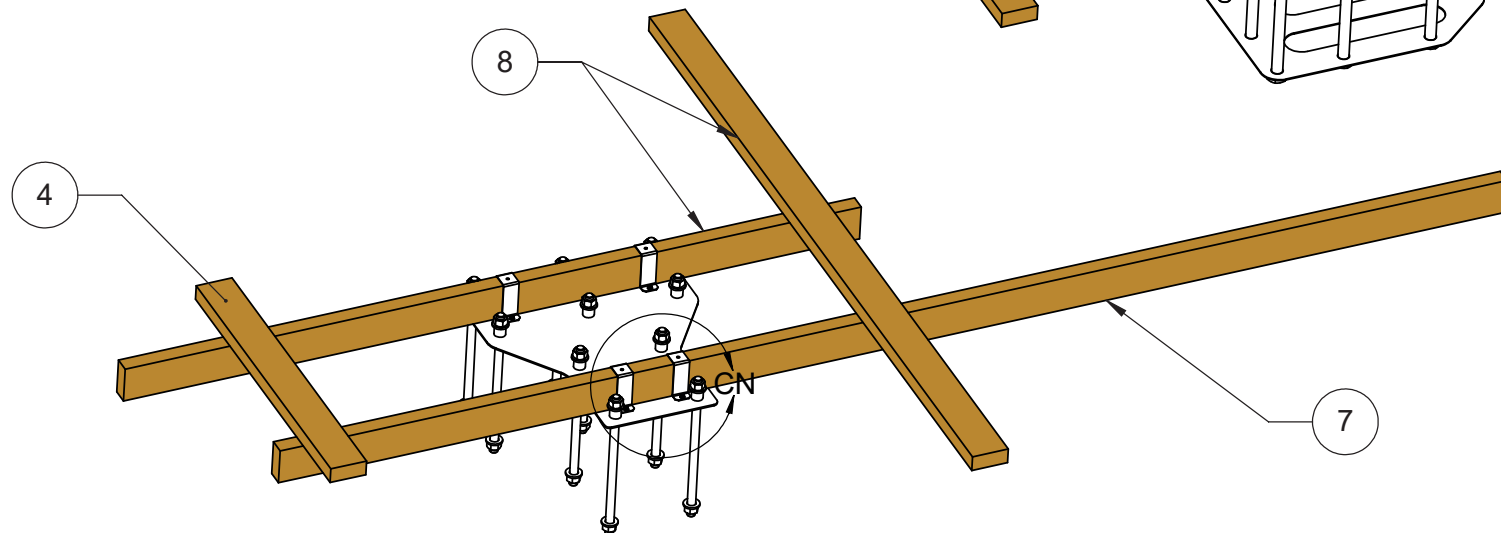
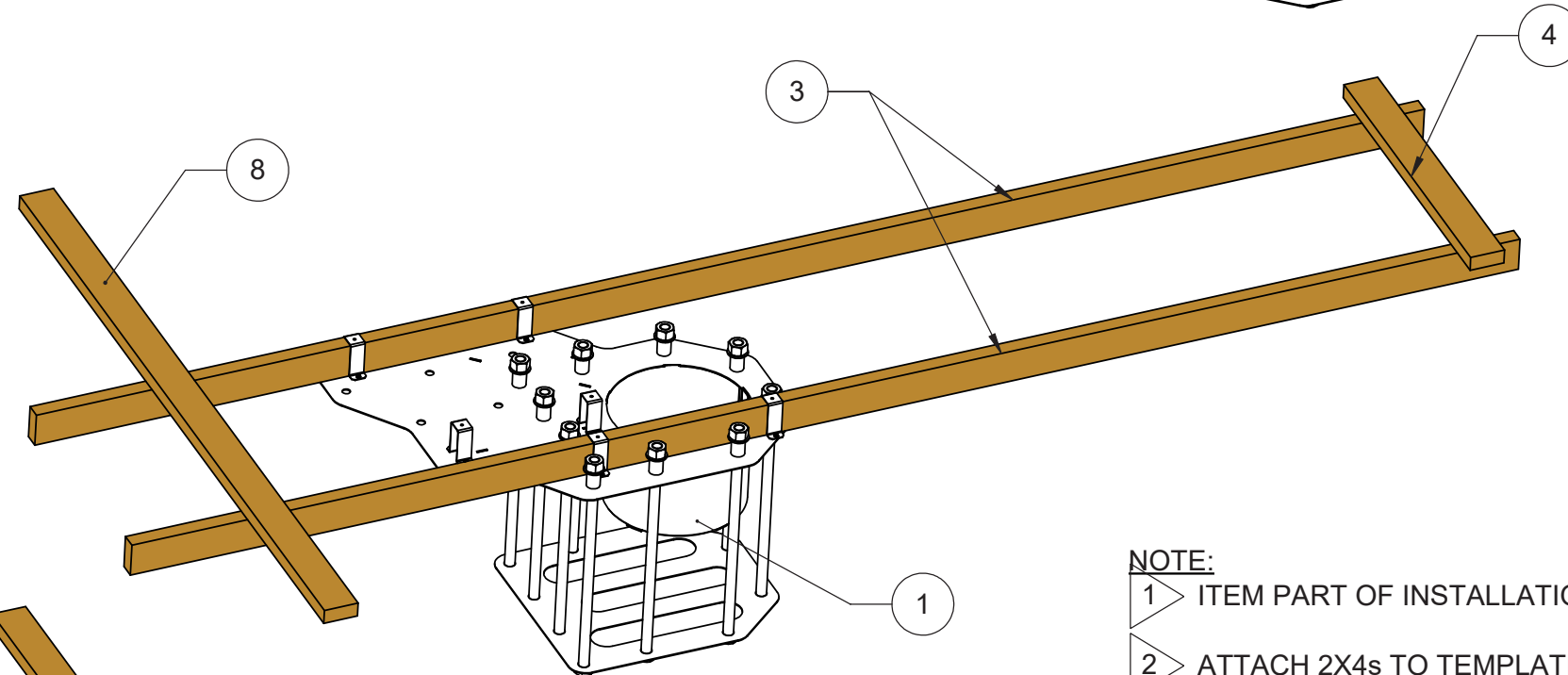
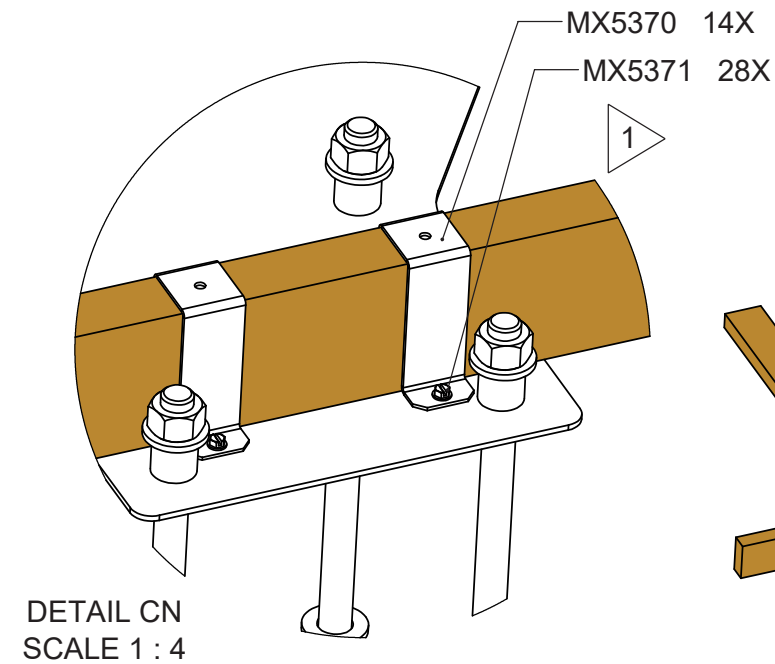
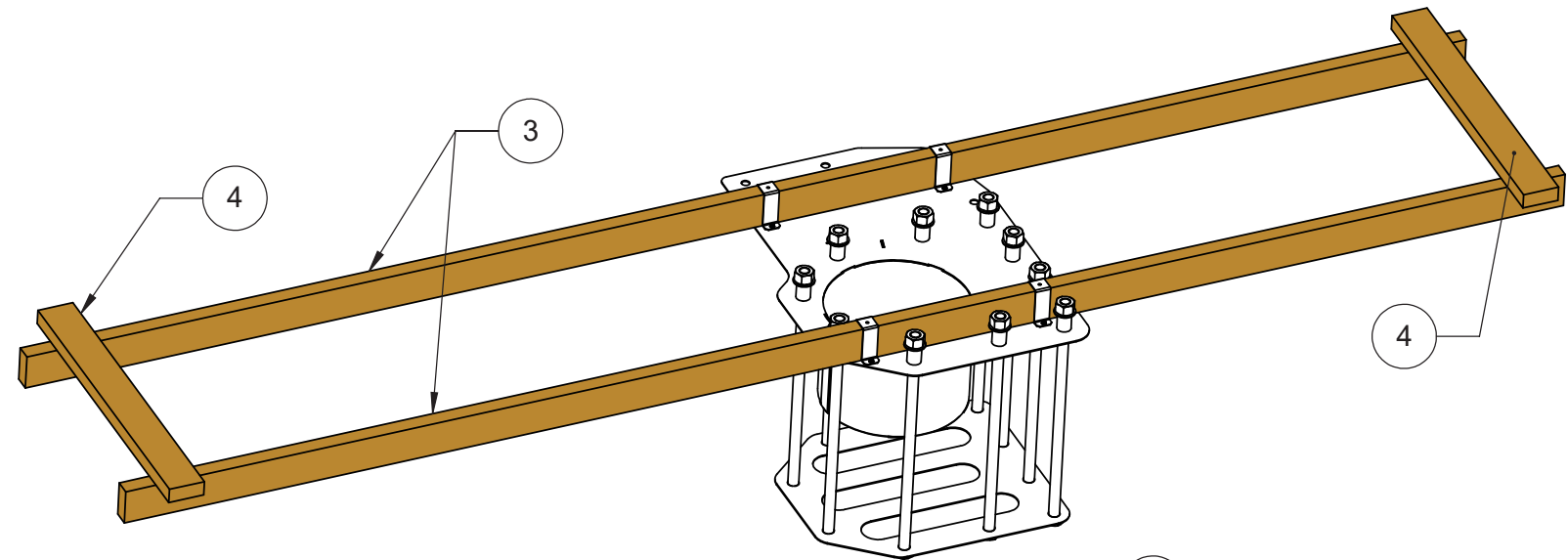
PROPRIETARY INFORMATION OF HY-SECURITY GATE, INC.
This document, and the information contained herein, are the confidential, proprietary and trade secret information of Hy-Security Gate, Inc. ("Hy-Security"). Any party receiving, accepting or retaining this document thereby agrees to use the document, and any information contained therein, solely as may be required to manufacture products or components for Hy-Security and will not provide this document or any information therein to any other party, or use it for any other purpose, without the express, prior, written consent of Hy-Security.

StrongSlide M50: Assemble Anchor Supports

ASSEMBLE TEMPLATE SUPPORT FRAMES

ITEM	PART NUMBER	DESCRIPTION	QTY.
1	MX5315-XX	KIT, ANCHOR, SSLIDE-M50, XL	1
2	MX5563-02	KIT, INSTALL, SSLIDE-M50	1
3	WOOD, 2X4	BOARD, 2X4, 12FT	4
4	WOOD, 2X4	BOARD, 2X4, 2.5FT	7
7	WOOD, 2X4	BOARD, 2X4, 10FT	1
8	WOOD, 2X4	BOARD, 2X4, 6FT	3

* LH SHOWN



NOTE:

- 1 ITEM PART OF INSTALLATION KIT MX5563-02
- 2 ATTACH 2X4s TO TEMPLATES WITH BRACKETS; APPROXIMATE LENGTHS SHOWN ON THE NEXT PAGE.
- 3 NAIL CROSS BOARDS TO HOLD SPAN DIMENSIONS.

PROPRIETARY INFORMATION OF HY-SECURITY GATE, INC.
This document, and the information contained herein, are the confidential, proprietary and trade secret information of Hy-Security Gate, Inc. ("Hy-Security"). Any party receiving, accepting or retaining this document thereby agrees to use the document, and any information contained therein, solely as may be required to manufacture products or components for Hy-Security and will not provide this document or any information therein to any other party, or use it for any other purpose, without the express, prior, written consent of Hy-Security.

Note: Rebar and lumber not included.

StrongSlide M50: Locate Anchors

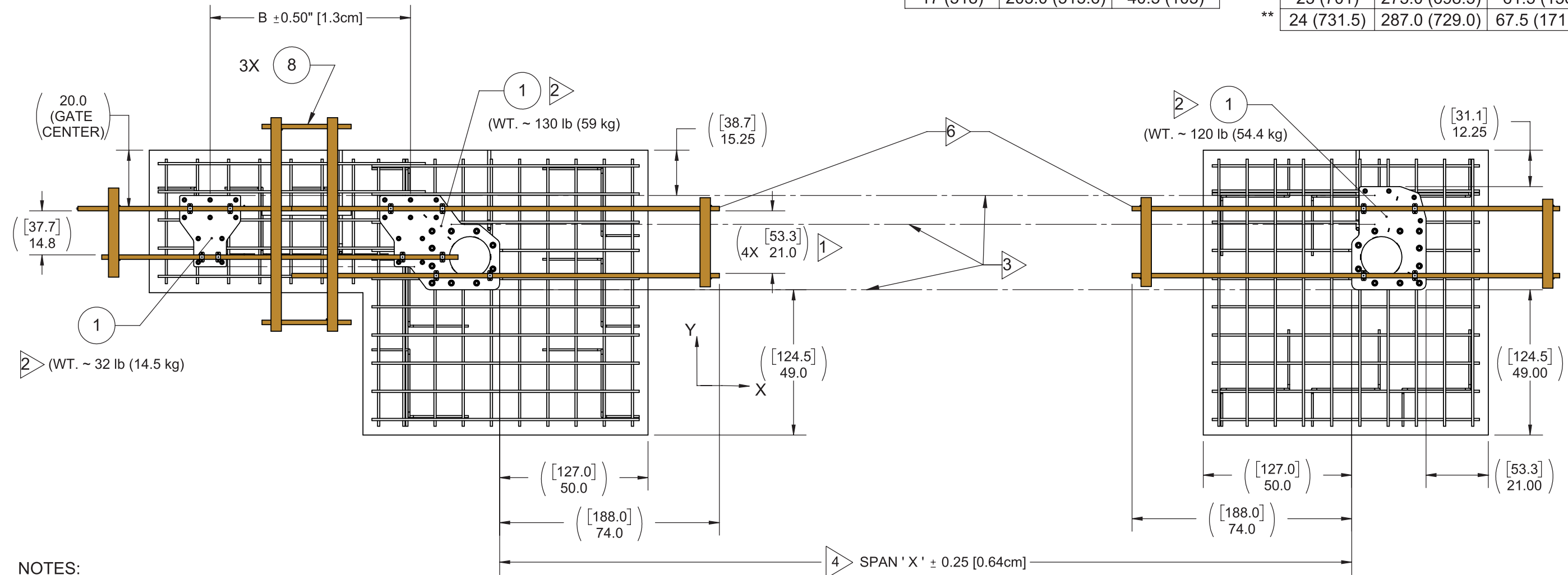
PLACE AND ALIGN TEMPLATE FRAMEWORK WITHIN FOUNDATION & REBAR

ITEM	PART NO.	DESCRIPTION	QTY.
1	MX5645-XX	KIT, ANCHOR, SSLIDE-M50	1
8	WOOD, 2X4	BOARD, 2X4, 2.5FT	3
15	WOOD, 2X4	BOARD, 2X4, 6FT	3

* LH SHOWN

CLEAR OPEN	SPAN ' X '	B
ft (cm)	inch (cm)	inch (cm)
12 (366)	143.0 (363.2)	40.5 (103)
13 (396)	155.0 (393.7)	40.5 (103)
14 (427)	167.0 (424.2)	40.5 (103)
15 (457)	179.0 (454.7)	40.5 (103)
16 (488)	191.0 (485.1)	40.5 (103)
17 (518)	203.0 (515.6)	40.5 (103)

CLEAR OPEN	SPAN ' X '	B
ft (cm)	inch (cm)	inch (cm)
18 (548)	215.0 (546.1)	43.5 (110.5)
19 (579)	227.0 (576.6)	46.0 (117)
20 (610)	239.0 (607.1)	49.5 (125.5)
21 (640)	251.0 (637.5)	52.5 (133.5)
22 (671)	263.0 (668.0)	55.5 (141)
23 (701)	275.0 (698.5)	61.5 (156)
** 24 (731.5)	287.0 (729.0)	67.5 (171.5)



NOTES:

1. NAIL SHORT 2X4 SECTIONS TO ACHIEVE BOARD GAP SHOWN.
2. USE A LEVEL TOOL TO VERIFY ALL TEMPLATE SURFACES ARE LEVEL. SHIM BETWEEN BOARDS AND SOIL TO ACHIEVE LEVEL ACROSS ALL SPANS.
3. USE STRING LINE TO ALIGN Y AXIS POINTS BETWEEN TEMPLATES. IF OFF MORE +/- 0.25"(0.64cm), THERE MAY BE POTENTIAL INTERFERENCE ISSUES WITH GATE AND ARRESTOR SYSTEMS.
4. MEASURE DISTANCE AT TEMPLATE EDGE TO VERIFY X AXIS SPAN.
5. DRIVE REBAR INTO SOIL NEXT TO 2X4s TO SECURE POSITIONS DURING CONCRETE POUR.
6. THIS 2X4 INDICATES THE CENTER OF THE GATE TRACK WHICH MEASURES 5.25"(13.3mm) WIDE.

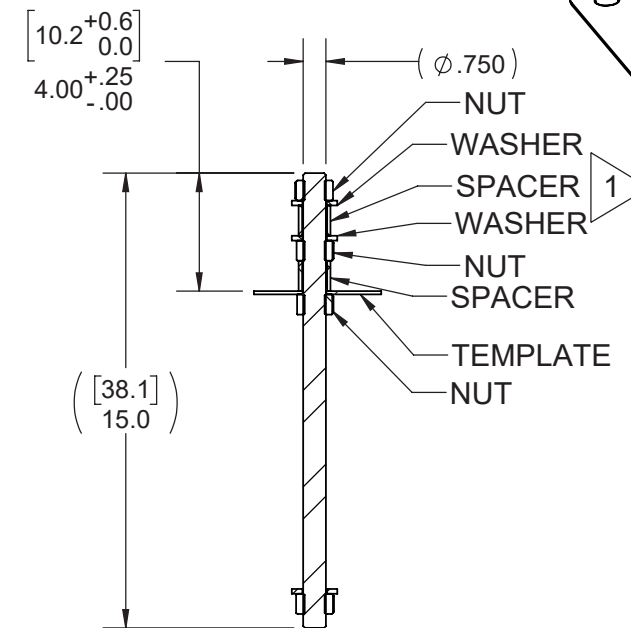
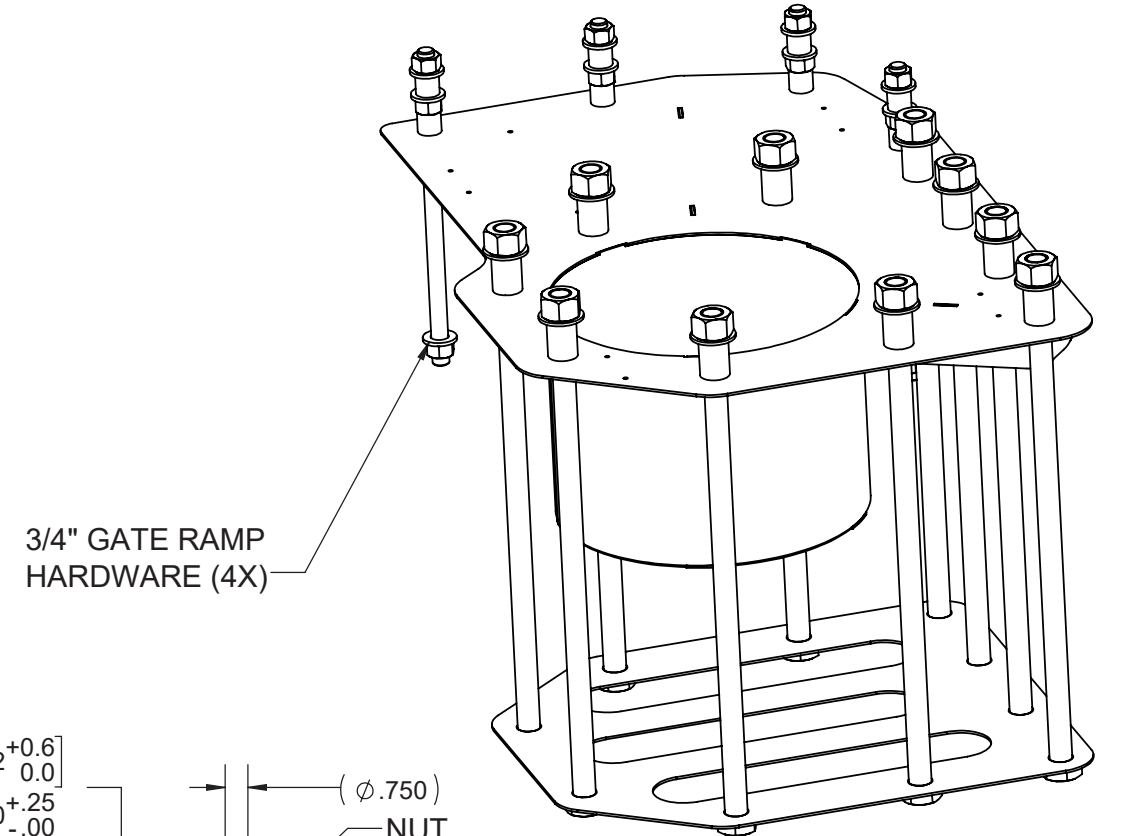
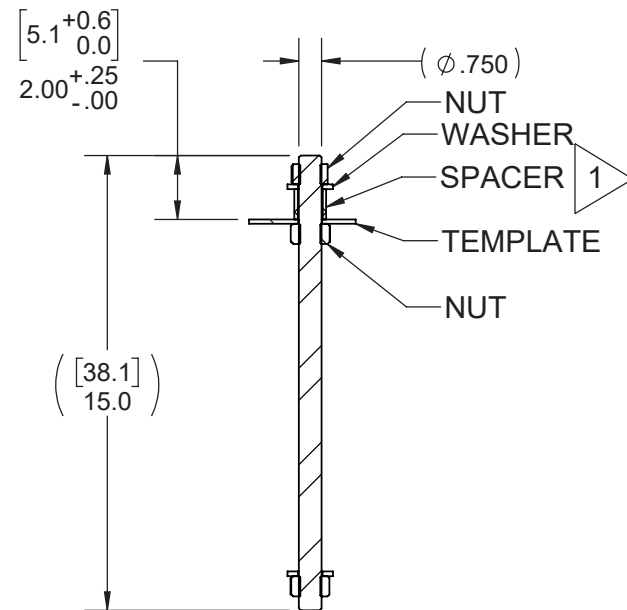
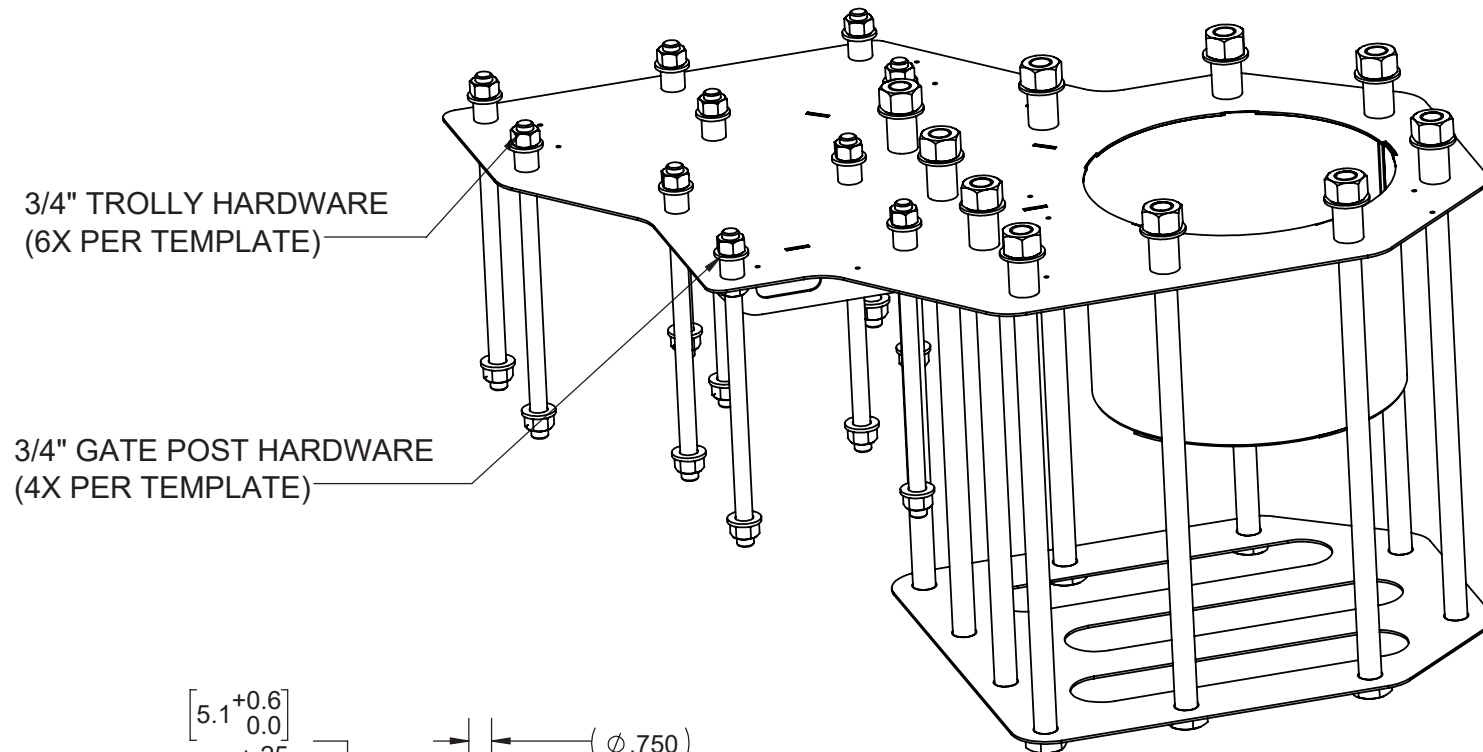
** StrongSlide-M50 to be quoted and tested at 24ft clear opening per ASTM F2656-20

PROPRIETARY INFORMATION OF HY-SECURITY GATE, INC.
This document, and the information contained herein, are the confidential, proprietary and trade secret information of Hy-Security Gate, Inc. ("Hy-Security"). Any party receiving, accepting or retaining this document hereby agrees to use the document, and any information contained therein, solely as may be required to manufacture products or components for Hy-Security and will not provide this document or any information therein to any other party, or use it for any other purpose, without the express, prior, written consent of Hy-Security.

StrongSlide M50: Finish Anchor Assemblies

ASSEMBLE ANCHOR TEMPLATE HARDWARE

- INSTALL REMAINING HARDWARE.
- MAY REQUIRE ADJUSTING REBAR POSITIONS.



NOTES:

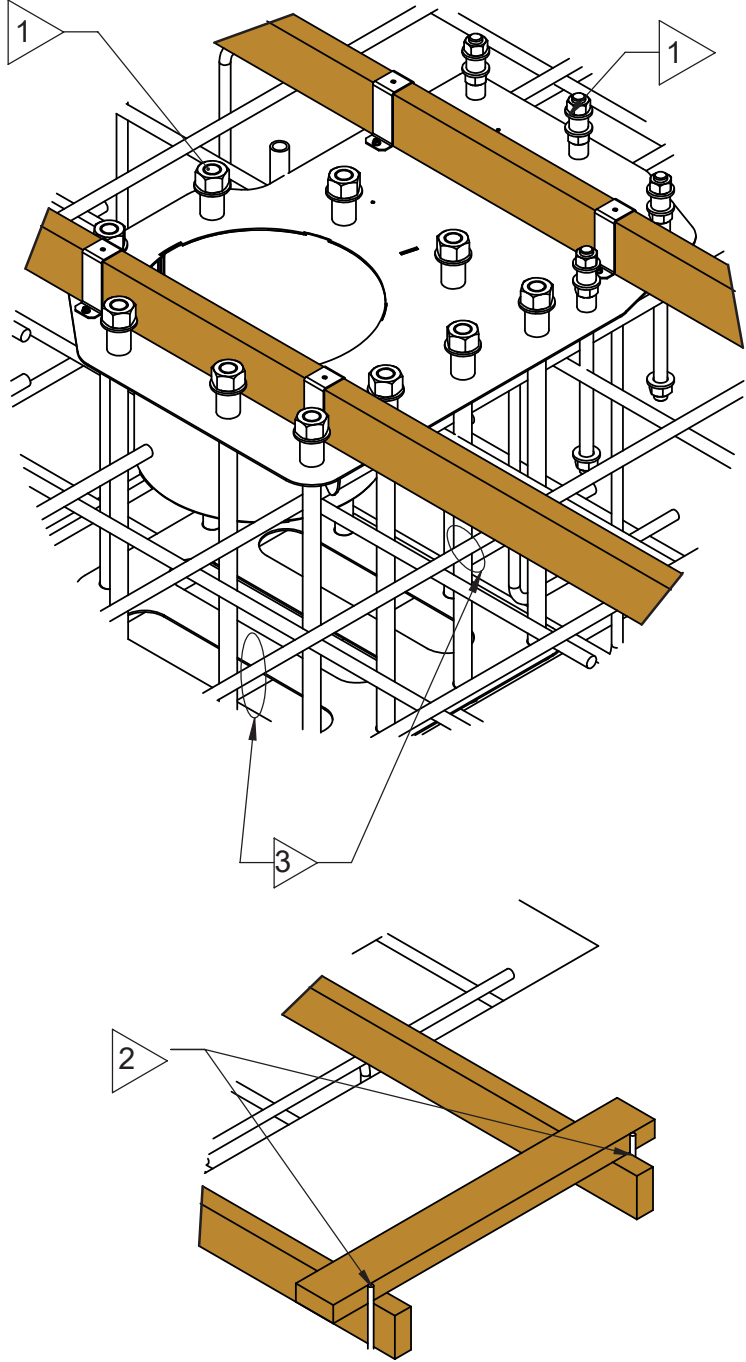
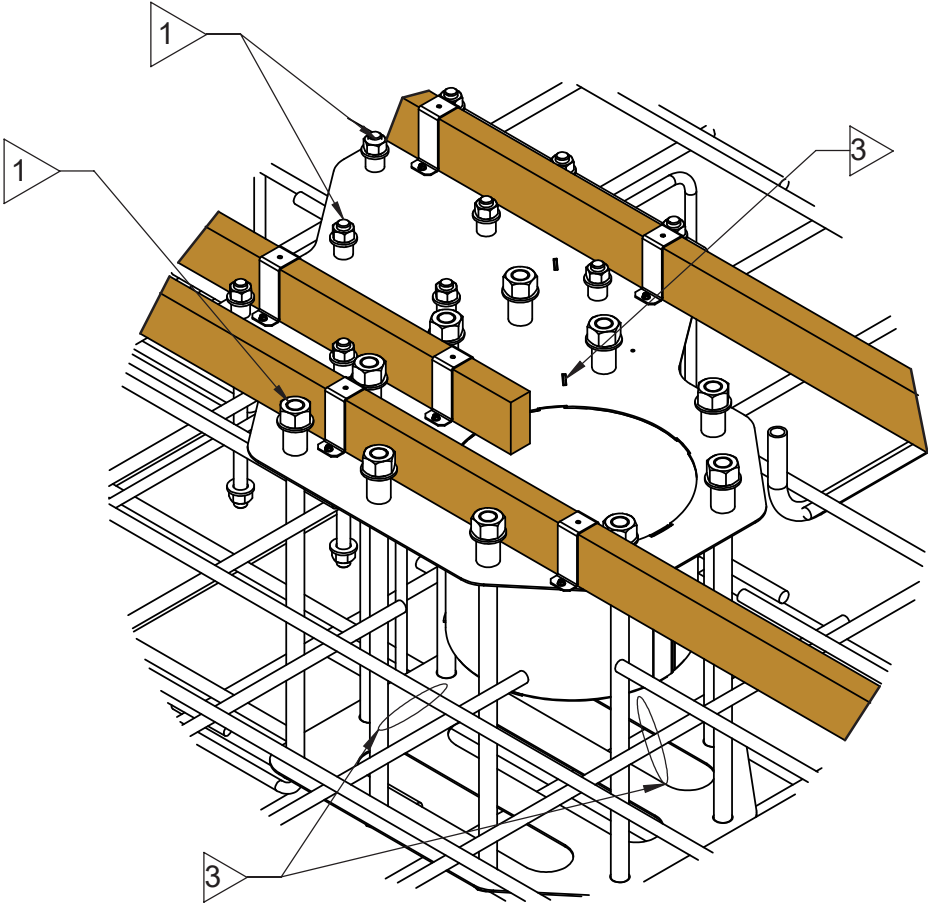
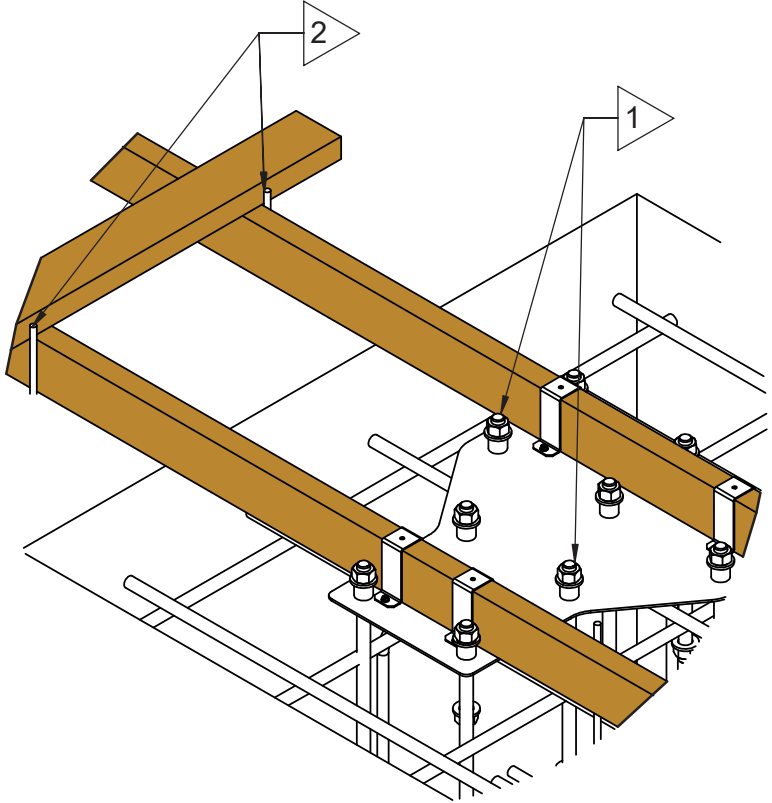
1. PLACE SPACERS AT ALL ANCHORS IN POSITIONS AS SHOWN. SPACERS INCLUDED IN KIT MX5563-02.
2. SEE ANCHOR ASSEMBLY KIT MX5315-XX FOR HARDWARE DETAILS.

PROPRIETARY INFORMATION OF HY-SECURITY GATE, INC.
This document, and the information contained herein, are the confidential, proprietary and trade secret information of Hy-Security Gate, Inc. ("Hy-Security"). Any party receiving, accepting or retaining this document hereby agrees to use the document, and any information contained therein, solely as may be required to manufacture products or components for Hy-Security and will not provide this document or any information therein to any other party, or use it for any other purpose, without the express, prior, written consent of Hy-Security.

StrongSlide M50: Secure Anchors and Supports

SECURE TEMPLATE ASSEMBLIES TO REBAR

ITEM	PART NUMBER	DESCRIPTION	QTY.
3	Rebar_#3	REBAR, #3(3/8"), 12"L	12



NOTES:

- 1. REFER TO PAGE 5 & 8 TO VERIFY ALL SPACER AND HARDWARE ORIENTATIONS & HEIGHTS.
1. MAY REQUIRE ADJUSTING REBAR POSITIONS.
- 2. DRIVE REBAR INTO SOIL NEXT TO 2X4s TO SECURE POSITIONS DURING CONCRETE POUR.
- 3. WIRE LOWER ANCHOR TEMPLATE AND UPPER TEMPLATE GUSSETS TO REBAR TO PREVENT LIFTING DURING CONCRETE POUR.

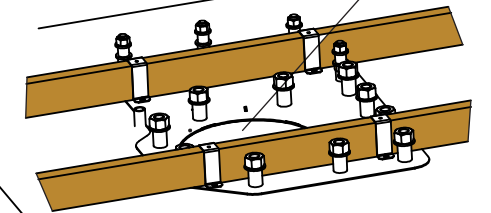
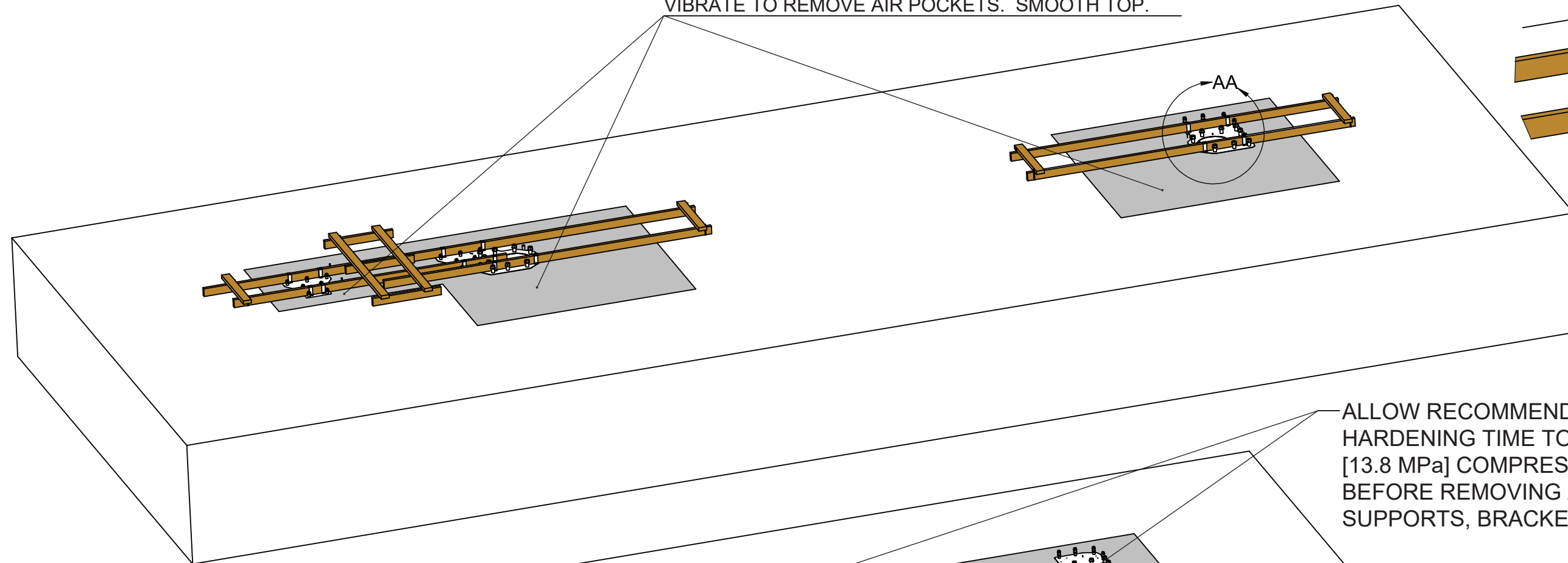
PROPRIETARY INFORMATION OF HY-SECURITY GATE, INC.
This document, and the information contained herein, are the confidential, proprietary and trade secret information of Hy-Security Gate, Inc. ("Hy-Security"). Any party receiving, accepting or retaining this document hereby agrees to use the document, and any information contained therein, solely as may be required to manufacture products or components for Hy-Security and will not provide this document or any information therein to any other party, or use it for any other purposes, without the express, prior, written consent of Hy-Security.

StrongSlide M50: Pour Concrete

POUR CONCRETE

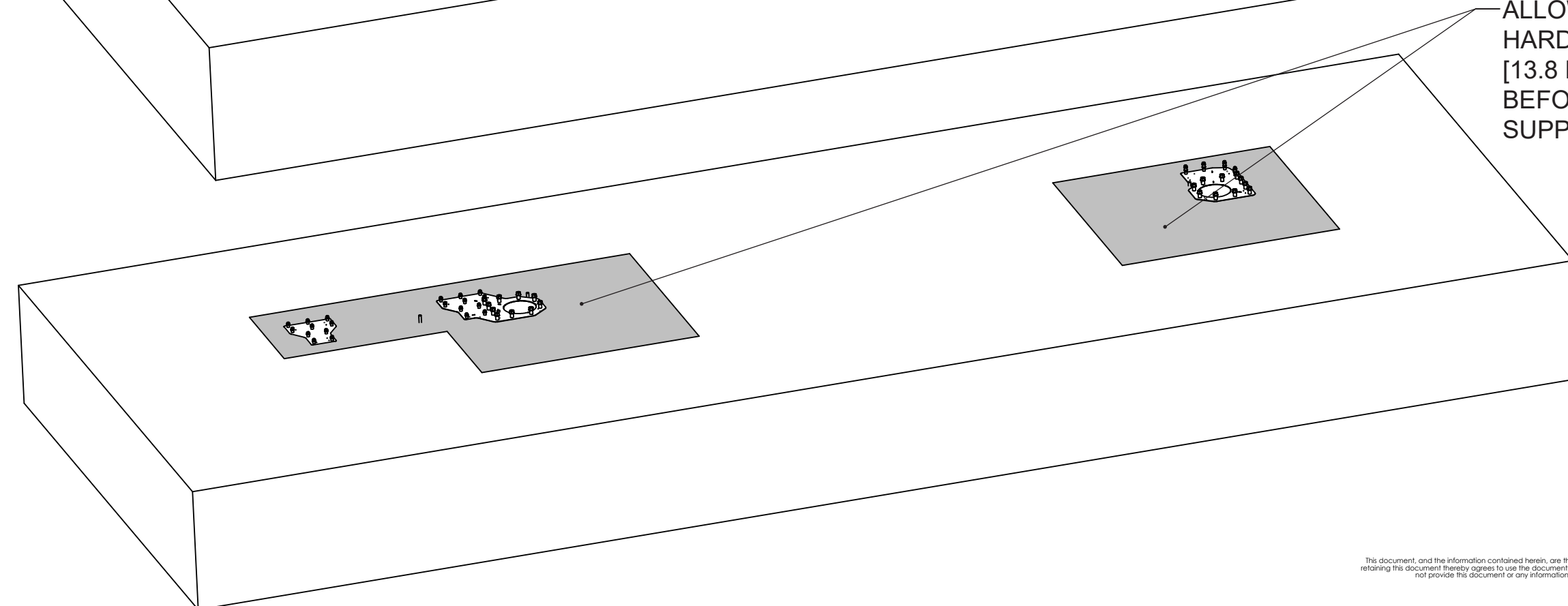
CONCRETE, 17 YARDS / (460 ft³) / [6.11m³]
4000 psi [27.6 MPa] MINIMUM COMPRESSIVE STRENGTH
VIBRATE TO REMOVE AIR POCKETS. SMOOTH TOP.

NO CONCRETE IN PILOT HOLES!
VIBRATE AREA UNDER TEMPLATE TO REMOVE AIR POCKETS



DETAIL AA
(2 PLACES)

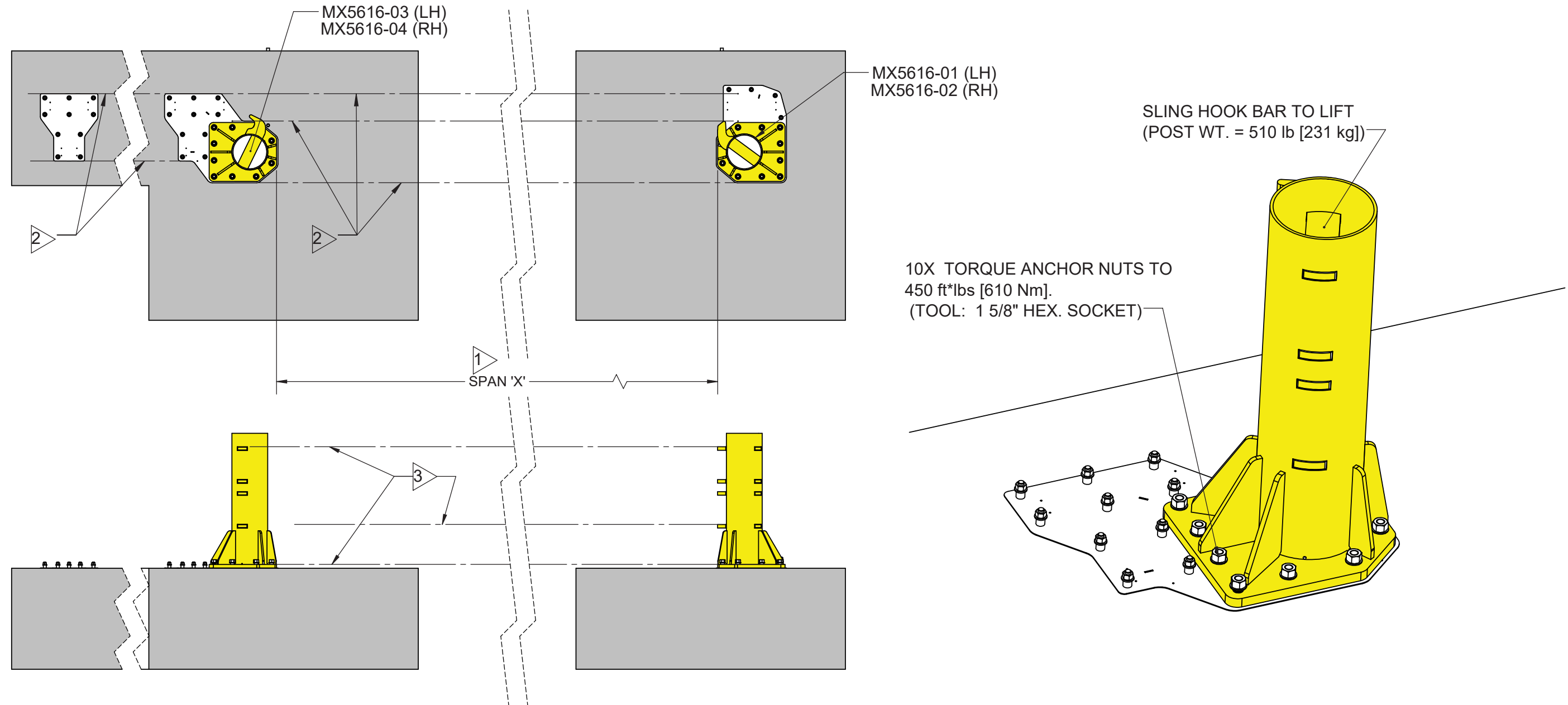
ALLOW RECOMMENDED CONCRETE
HARDENING TIME TO ACHIEVE 2000 psi
[13.8 MPa] COMPRESSIVE STRENGTH
BEFORE REMOVING ALL WOOD
SUPPORTS, BRACKETS, AND SPACERS



PROPRIETARY INFORMATION OF HY-SECURITY GATE, INC.
This document, and the information contained herein, are the confidential, proprietary and trade secret information of Hy-Security Gate, Inc. ("Hy-Security"). Any party receiving, accepting or retaining this document thereby agrees to use the document, and any information contained therein, solely as may be required to manufacture products or components for Hy-Security and will not provide this document or any information therein to any other party, or use it for any other purpose, without the express, prior, written consent of Hy-Security.

StrongSlide M50: Install Arrestor Posts

SET ARRESTOR POSTS AND ALIGN



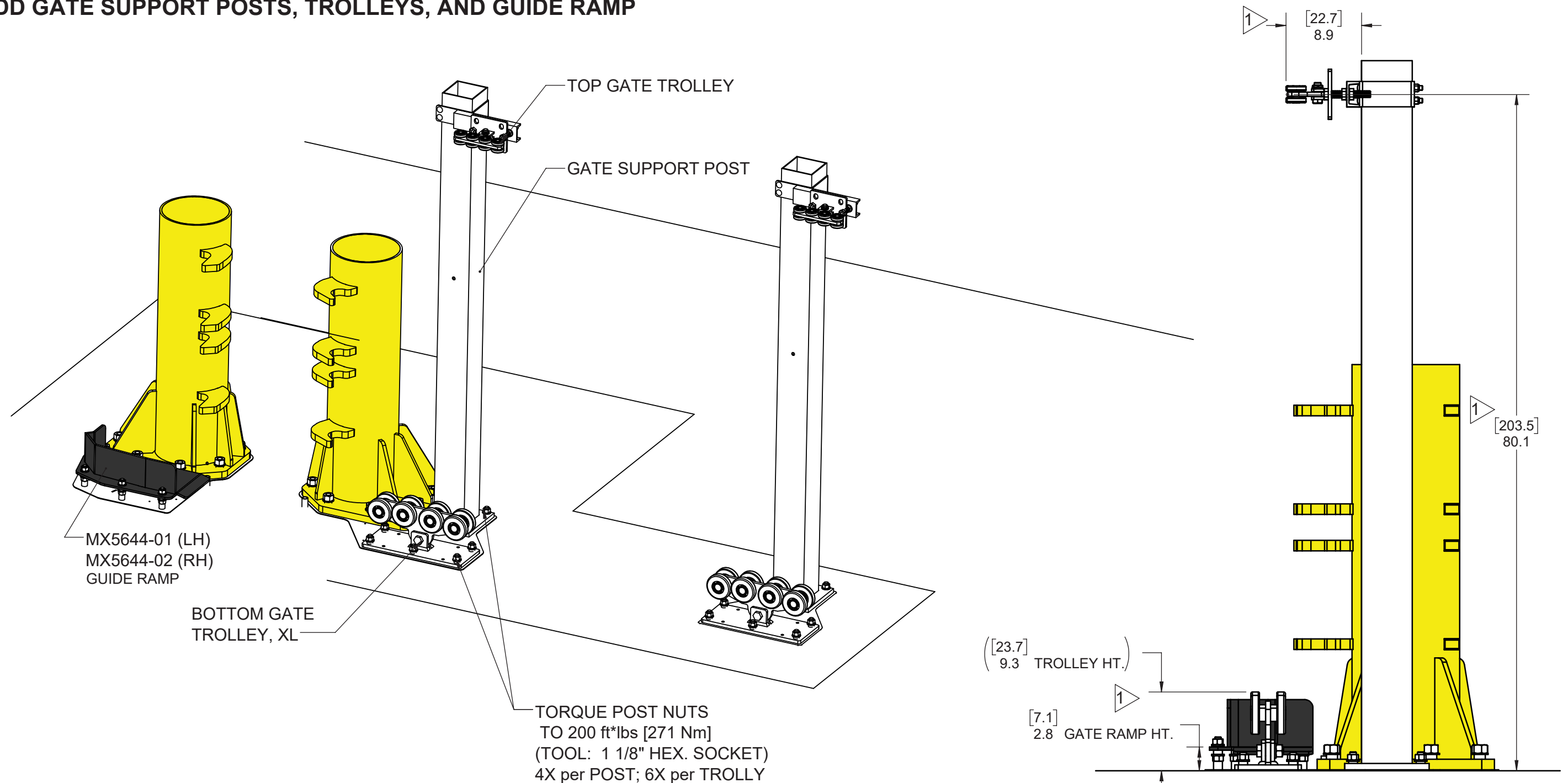
NOTES:

1. VERIFY SPAN DISTANCE WITH VALUE ON PAGE 11
2. VERIFY Y-AXIS ALIGNMENT POINTS, IF OFF MORE +/- 0.25" [0.64cm], THERE MAY BE POTENTIAL INTERFERENCE ISSUES WITH GATE AND ARRESTOR SYSTEMS.
3. USE A LEVEL TOOL TO VERIFY ALL BASEPLATE AND HOOKS ARE LEVEL AND PARALLEL.
 1. SHIM BETWEEN BASEPLATE AND TEMPLATES ONLY IF REQUIRED.
 2. GROUT ANY GAPS RESULTING FROM THE SHIMMING.

PROPRIETARY INFORMATION OF HY-SECURITY GATE, INC.
This document, and the information contained herein, are the confidential, proprietary and trade secret information of Hy-Security Gate, Inc. ("Hy-Security"). Any party receiving, accepting or retaining this document thereby agrees to use the document, and any information contained therein, solely as may be required to manufacture products or components for Hy-Security and will not provide this document or any information therein to any other party, or use it for any other purpose, without the express, prior, written consent of Hy-Security.

StrongSlide M50: Install Gate Supports

ADD GATE SUPPORT POSTS, TROLLEYS, AND GUIDE RAMP



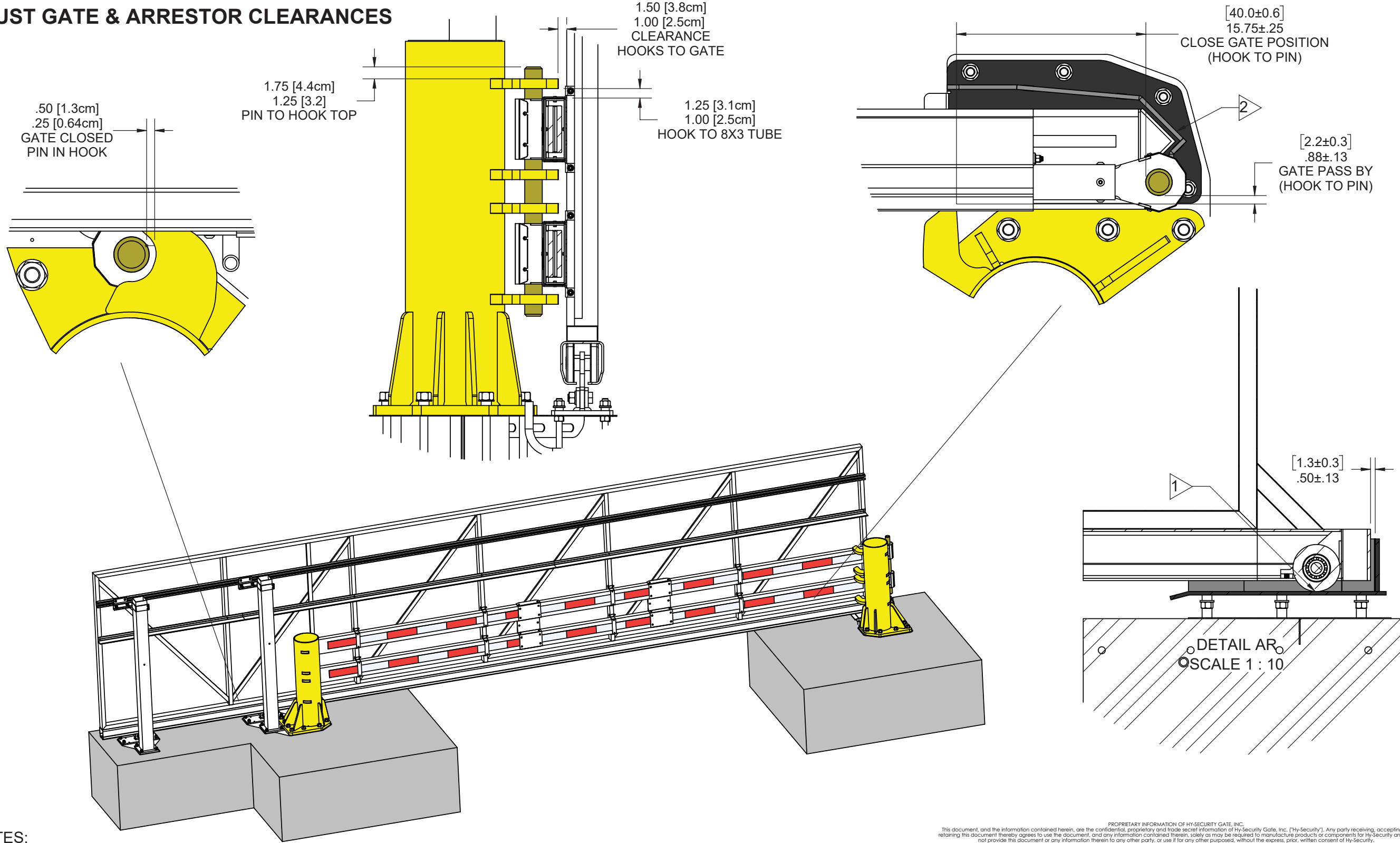
NOTES:

1. DIMENSIONS ARE RECOMMENDED INITIAL SETTINGS. MAY REQUIRE ADJUSTMENT UPON GATE INSTALLATION.

PROPRIETARY INFORMATION OF HY-SECURITY GATE, INC.
This document, and the information contained herein, are the confidential, proprietary and trade secret information of Hy-Security Gate, Inc. ("Hy-Security"). Any party receiving, accepting or retaining this document hereby agrees to use the document, and any information contained therein, solely as may be required to manufacture products or components for Hy-Security and will not provide this document or any information therein to any other party, or use it for any other purpose, without the express, prior, written consent of Hy-Security.

StrongSlide M50: Adjust Clearances

ADJUST GATE & ARRESTOR CLEARANCES



NOTES:

1. ADJUST GATE TROLLEYS UP/DOWN TO ASSURE LIGHT GATE WHEEL CONTACT WITH GATE RAMP.
2. ADJUST GATE TROLLEY SIDE-SIDE TO ASSURE CLEARANCE WITH GATE RAMP SIDES.
3. REFER TO GATE ASSEMBLY DRAWING MX5462-01-XX FOR TOTAL GATE WEIGHT.

PROPRIETARY INFORMATION OF HY-SECURITY GATE, INC.
This document, and the information contained herein, are the confidential, proprietary and trade secret information of Hy-Security Gate, Inc. ("Hy-Security"). Any party receiving, accepting or retaining this document thereby agrees to use the document, and any information contained therein, solely as may be required to manufacture products or components for Hy-Security and will not provide this document or any information therein to any other party, or use it for any other purpose, without the express, prior, written consent of Hy-Security.

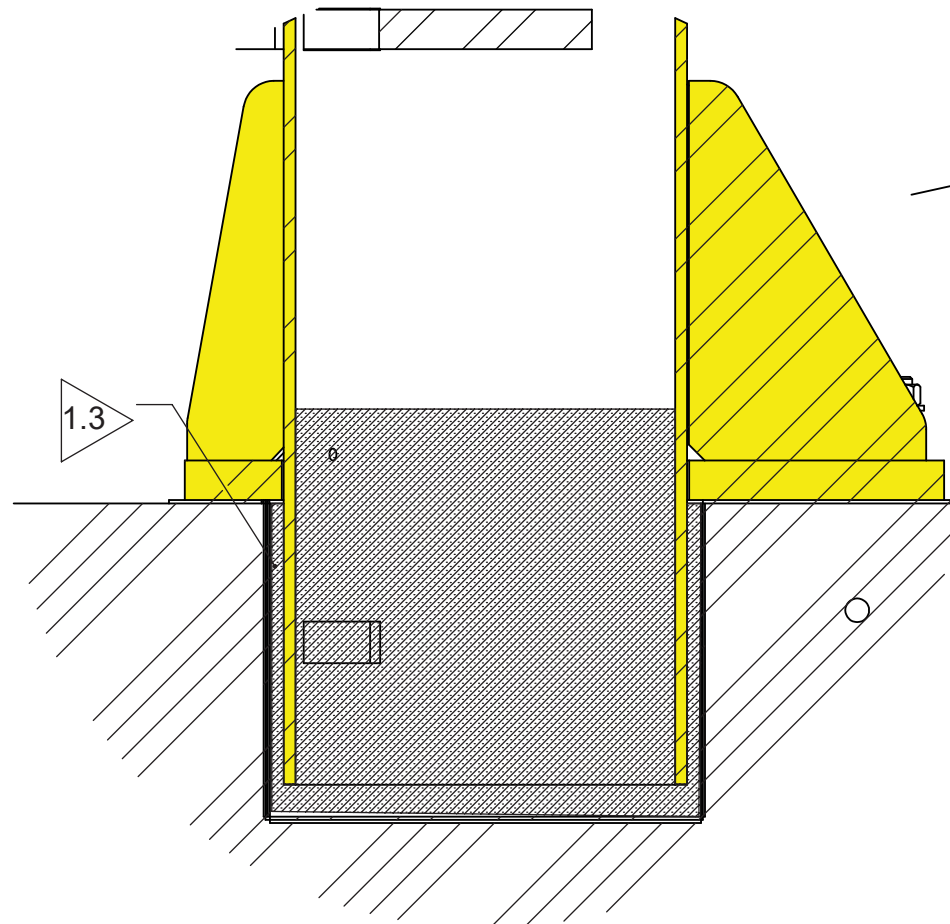
StrongSlide M50: Fill Arrestor Posts

ADD GROUT & CONCRETE TO ARRESTOR POSTS

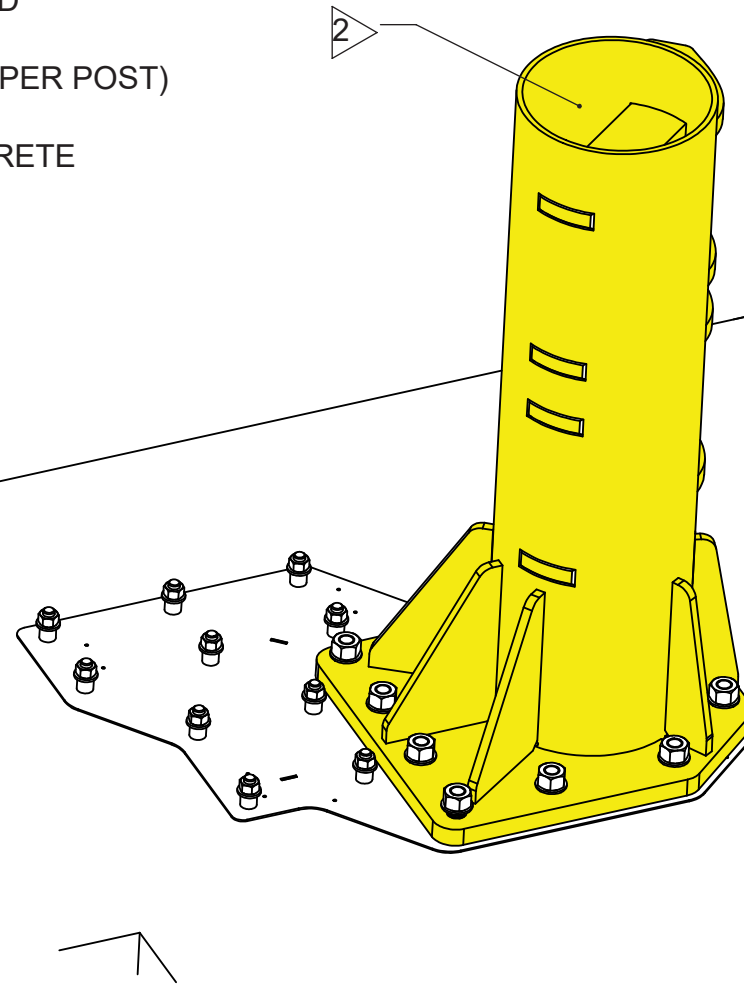
NOTES:

1. NON-SHRINK GROUT TO BE MIXED FOR "FLOWABLE" PROPERTIES.
 1. MINIMUM COMPRESSION STRENGTH OF 4,000PSI
 2. REFERENCE: SAKRETE NON-SHRINK CONSTRUCTION GROUT
 1. 50 LBS BAG = 0.45 cu.ft. (1.75 BAGS / {0.78 ft³} / [0.02 m³] PER POST)
- 3 USE VIBRATION TOOL TO MOVE GROUT INTO GAP BETWEEN POST AND TEMPLATE BORE.
- 2 FILL POSTS WITH LOW SHRINK CONCRETE.
 1. MINIMUM COMPRESSION STRENGTH OF 4,000PSI [27.6 MPa]
 2. REFERENCE: SAKRETE CRACK RESISTANT FIBER REINFORCED CONCRETE MIX
 1. 50 LBS BAG = 0.38 cu.ft. (8.25 BAGS / {3.14 ft³} / [0.09 m³] PER POST)
 3. CONCRETE CAN BE ADDED BEFORE GROUT IS CURED.
 4. USE VIBRATION TOOL TO REMOVE ALL AIR POCKETS IN CONCRETE

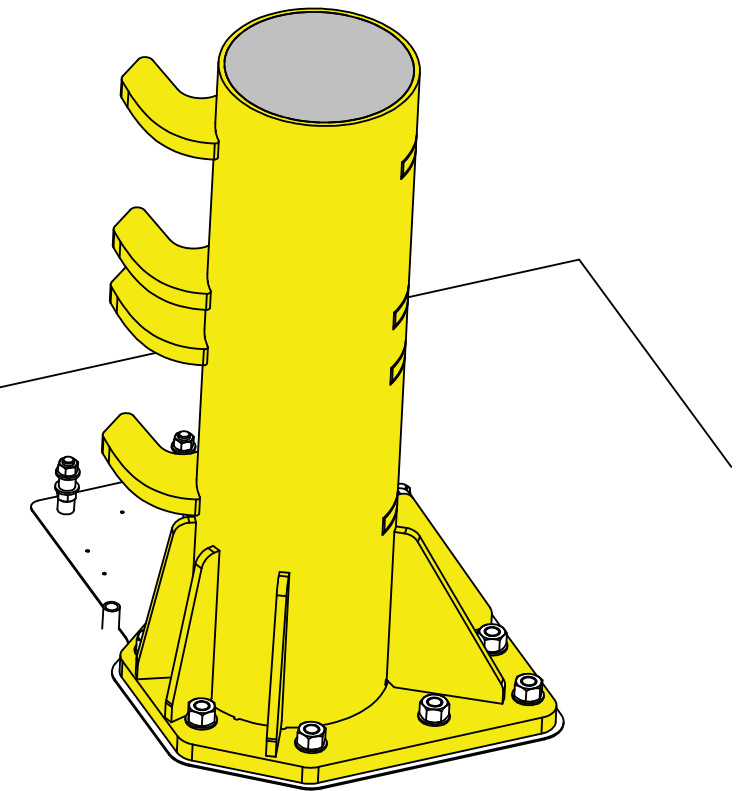
STEP 1: FILL PILOT AREA WITH GROUT



STEP 2: FILL POSTS WITH CONCRETE.



STEP 3: LEVEL AND SMOOTH CONCRETE ON ARRESTOR POST TOP.



PROPRIETARY INFORMATION OF HY-SECURITY GATE, INC.
This document, and the information contained herein, are the confidential, proprietary and trade secret information of Hy-Security Gate, Inc. ["Hy-Security"]. Any party receiving, accepting or retaining this document thereby agrees to use the document, and any information contained therein, solely as may be required to manufacture products or components for Hy-Security and will not provide this document or any information therein to any other party, or use it for any other purpose, without the express, prior, written consent of Hy-Security.

StrongSlide M50: Mount SlideDriver

MOUNT SLIDEDRIVER

ITEM	PART NUMBER	DESCRIPTION	QTY.
3	SLIDEDRIVER		1
4	MX000366	WASHER, FLAT, 5/8", SAE, ZINC	8
5	MX000481	NUT, LOCK, 5/8-11, NYINS, ZINC	4
6	MX002425	HHCS, 5/8-18 X 2", GR 8, ZINC	4
7	MX3034	NUT, LOCK, 1/2-13, NYINS, GR8, ZINC	2
8	MX3035	WASHER, FLAT, 1/2", SAE, GR 8, ZINC	4
14	MX5375	MOUNT, SLIDEDRIVER, StrongSlide	1
15	MX5389	HHCS, 1/2-13 X 7.5"L, GR5, ZP	2

CAUTION

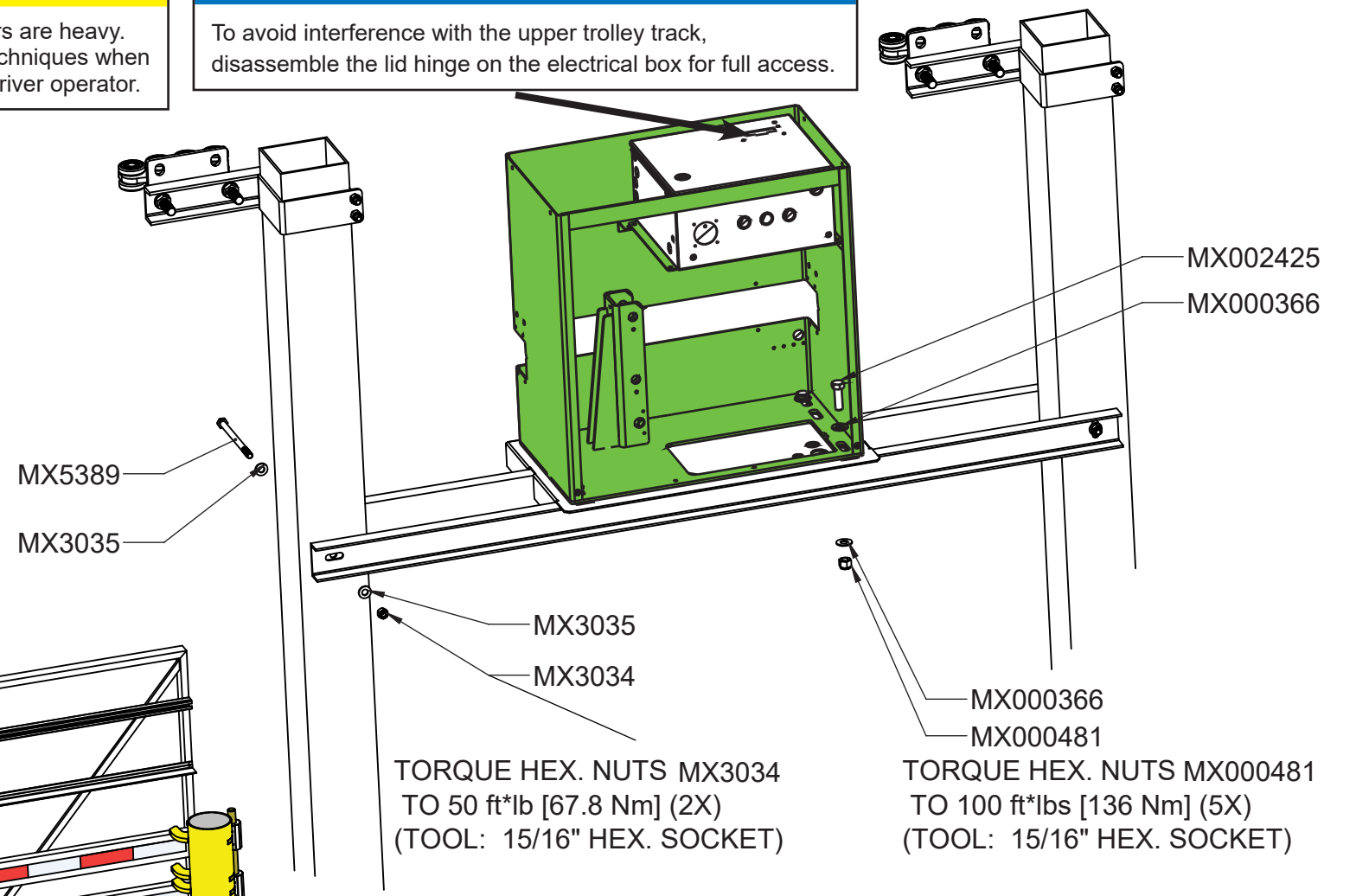
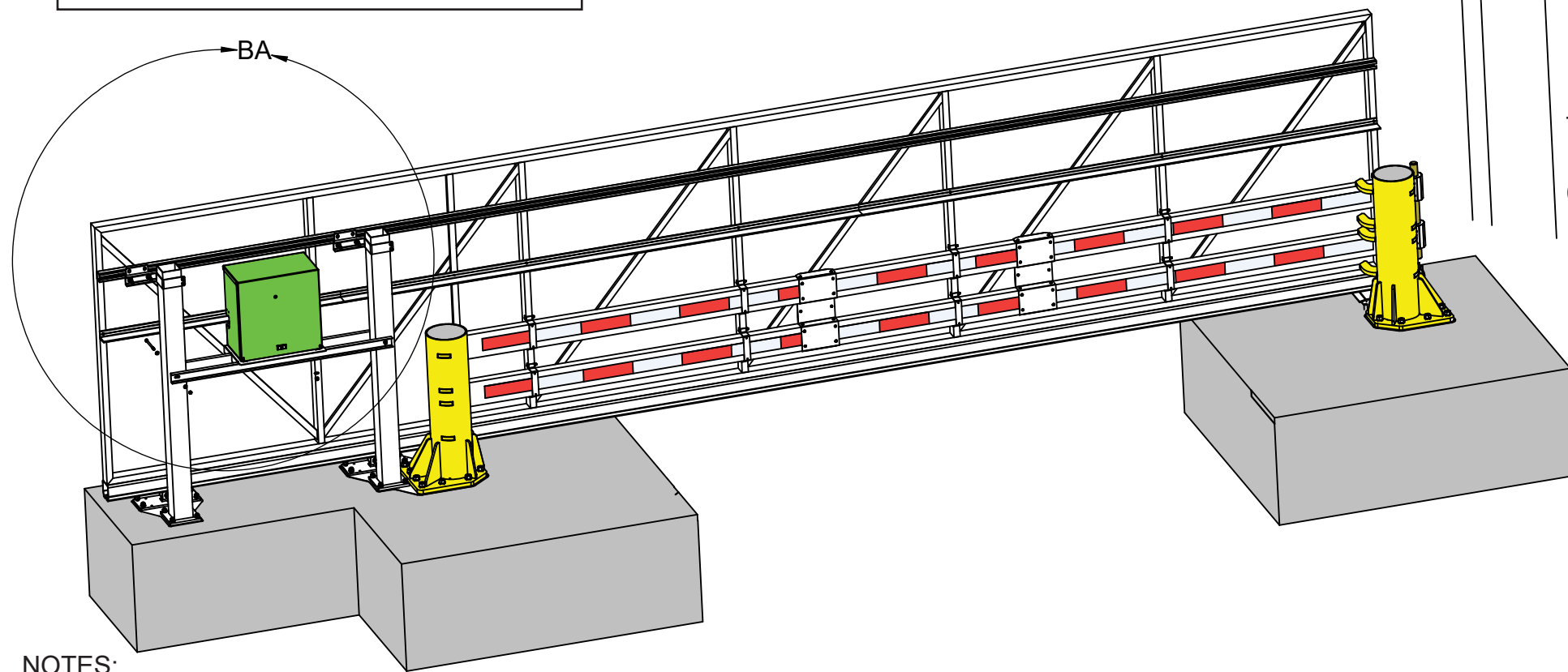
SlideDriver operators are heavy. Use proper lifting techniques when installing the SlideDriver operator.

NOTICE

To avoid interference with the upper trolley track, disassemble the lid hinge on the electrical box for full access.

DANGER

Ensure all entrapment zones are protected per UL 325, ASTM F2200, and local codes and standards.



NOTICE

See SlideDriver installation instructions to complete SlideDriver installation.

NOTES:

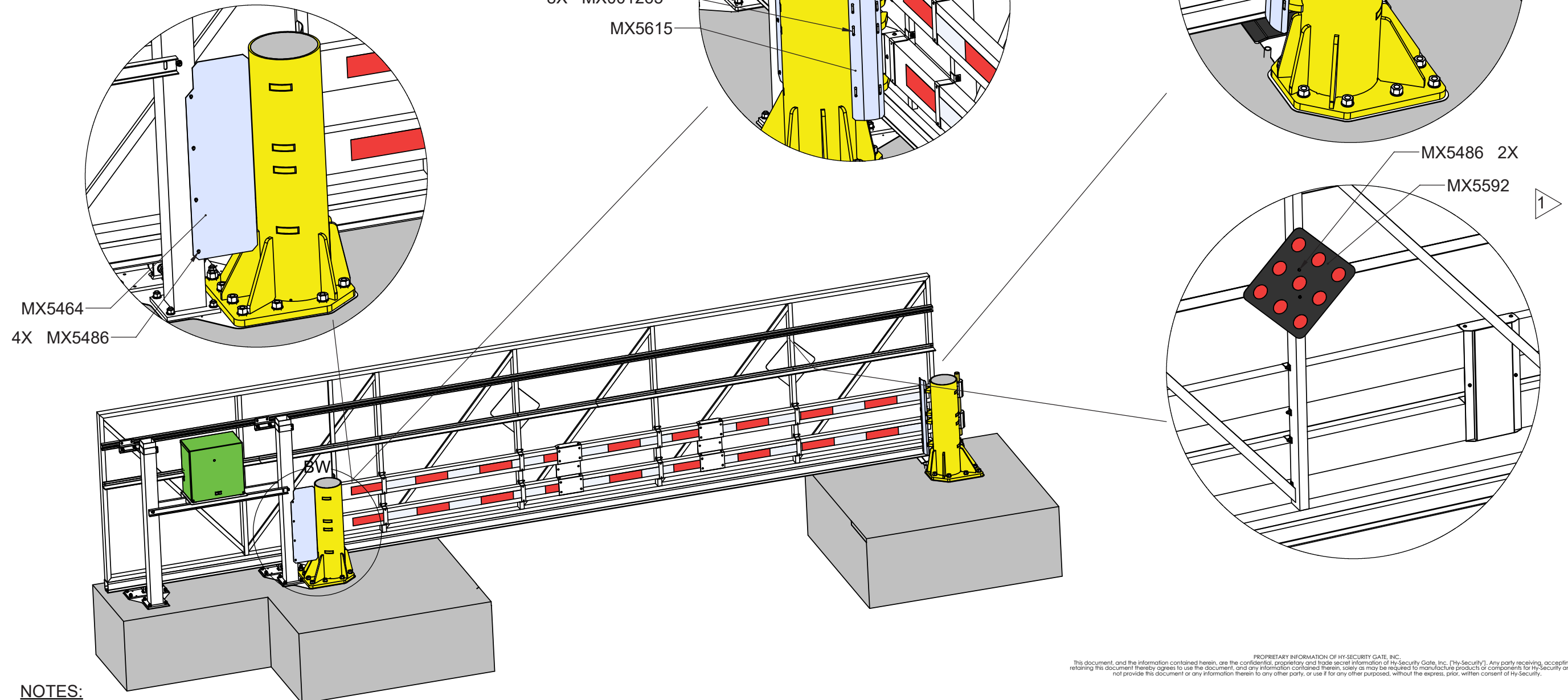
1. ATTACH SLIDEDRIVER MOUNTING PLATFORM TO POSTS WITH 1/2" HARDWARE.
2. ATTACH SLIDEDRIVER OPERATOR TO PLATFORM WITH 5/8" HARDWARE.
3. POSITION SLIDEDRIVER RELATIVE TO GATE AND DRIVE RAIL PER OPERATOR MANUAL. SPEC.

PROPRIETARY INFORMATION OF HY-SECURITY GATE, INC.
This document, and the information contained herein, are the confidential, proprietary and trade secret information of Hy-Security Gate, Inc. ("Hy-Security"). Any party receiving, accepting or retaining this document hereby agrees to use the document, and any information contained therein, solely as may be required to manufacture products or components for Hy-Security and will not provide this document or any information therein to any other party, or use it for any other purpose, without the express, prior, written consent of Hy-Security.

StrongSlide M50: Mount Panels and Signs

MOUNT SAFETY PANELS AND MARKERS

ITEM	PART NO.	DESCRIPTION	QTY.
22	MX5464	PANEL, ACCESS RESTRICT	1
23	MX5615	PANEL, PINCH PROTECT, M50	2
24	MX5486	HHDS, 1/4" X 3/4"L, SS	8
26	MX001265	WIRE TIE, 24.2" X 0.30", BLACK	16
27	MX5592	MARKER, END OF ROADWAY, MUTCD	1



NOTES:

1. ATTACH ROAD MARKER(S) TO PUBLIC SIDE OF GATE. 1 PER GATE < 16'; 2 PER GATE ≥ 16' [488cm].
2. ADD PINCH PROTECT PANELS TO LOCATIONS SHOWN.

PROPRIETARY INFORMATION OF HY-SECURITY GATE, INC.
This document, and the information contained herein, are the confidential, proprietary and trade secret information of Hy-Security Gate, Inc. ("Hy-Security"). Any party receiving, accepting or retaining this document thereby agrees to use the document, and any information contained therein, solely as may be required to manufacture products or components for Hy-Security and will not provide this document or any information therein to any other party, or use it for any other purpose, without the express, prior, written consent of Hy-Security.

Page intentionally left blank.



Securing the world's critical infrastructure and key assets with automated gate solutions for your entire perimeter

Nice North America | HySecurity
Gate & Barrier Division
6705 S 209th St, Ste 101
Kent, WA 98032

support.hysecurity.com



Niceforyou.com

©2023 Nice North America LLC. HySecurity is a registered trademark of Nice North America LLC. All rights reserved.
All trademarks, logos and brand names are the property of their respective owners.

hysecurity.com

MX5672-01 REV. B 11-27-2023 | PN: 1089155697