



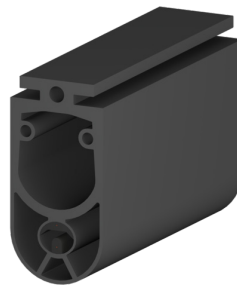
ASO Edge

An ASO Edge

Finally, eliminate failures. Edge failures cost installer warranty callbacks and frustrate end users. Since January 2016, when the updated UL 325 safety standard mandated monitored safety devices, a failing edge stops the gate until an installer is called to troubleshoot the problem. That cuts into installer profits. **ASO responded with an edge you can rely on.**

Simple, reliable design

- Robust design not damaged by cuts because sensing contacts are sealed in an inner chamber
- No moisture absorbing foam - prevents failure of monitoring system
- Rugged. Survives manhandling during shipment and install



High profile channel mount



Low profile channel mount



Round wraparound



Square wraparound

Give yourself THE EDGE

An ASO edge. These highly engineered, simple and rugged edge sensors give installers and their customers peace of mind. **Incredibly easy to install**, withstand typical rough shipment and installation handling, do not short due to water absorption, and they keep performing under the most severe climate and site conditions.

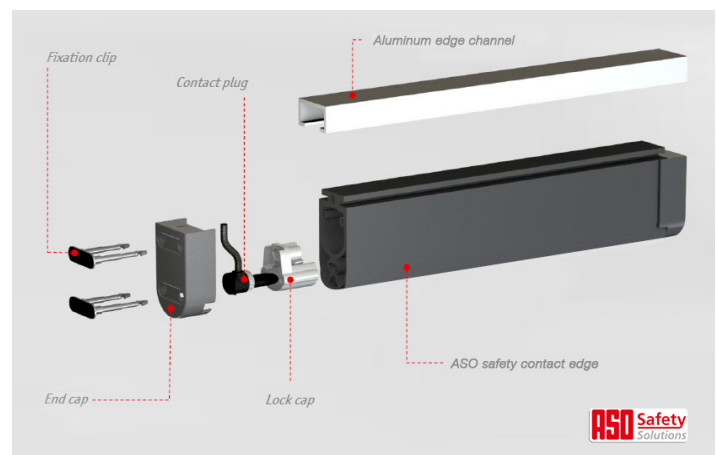


PART NUMBER	DESCRIPTION
AS1502-0430-05	Low profile channel mount ASO edge sensor, preassembled with two end caps and aluminum mounting channel, 5 ft, 1 x 1.25 inch (1.5 m, 25 x 30mm)
AS1502-0440-05	High profile channel mount ASO edge sensor, preassembled with two end caps and aluminum mounting channel, 5 ft, 1 x 1.75 inch (1.5 m, 25 x 45mm)
AS1501-0760	Round ASO wraparound edge sensor, with three contact surfaces, 5 ft x 2 inch (1.5 m x 51 mm)
AS1501-0790	Square ASO wraparound edge sensor, with three contact surfaces, 5 ft x 2 inch (1.5 m x 51 mm)
AS1804-1620	Replacement end cap for low profile ASO edge sensor, with 10k resistive termination, 1 x 1.25 inch

PART NUMBER	DESCRIPTION
AS1804-0640	Replacement end cap for low profile ASO edge sensor, with wire leads, 1 x 1.25 inch
AS1804-1630	Replacement end cap for high profile ASO edge sensor, with 10k resistive termination, 1 x 1.75 inch
AS1804-0650	Replacement end cap for high profile ASO edge sensor, with wire leads, 1 x 1.75 inch
AS103200-05	Replacement edge channel, mounts low and high profile edge sensors, 5 ft
AS103200-10	Replacement edge channel, mounts low and high profile edge sensors, 10 ft

Simpler is better.
See how at hysecurity.com/aso-edges

Order these simple and ultra-reliable devices from your Nice | HySecurity distributor.



ASO safety contact high profile edge and end cap diagram

HySecurity
a Nice company
support.hysecurity.com

Nice/HySecurity is an industry leader of automated gate and perimeter security solutions.
The HySecurity brand provides high-quality, ultra-reliable industrial gate operators and crash-rated, Hostile Vehicle Mitigation (HVM) vehicle barriers designed to secure and protect critical infrastructure and facilities worldwide.



[Niceforyou.com](https://www.niceforyou.com)

©2023 Nice North America LLC. All rights reserved.
HySecurity is a registered trademark of Nice North America LLC.
All trademarks, logos and brand names are the property of their respective owners.