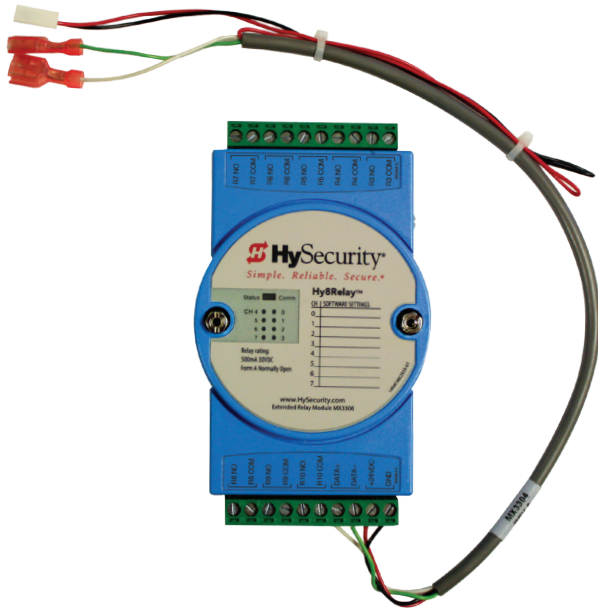




Hy8Relay™



Add 8 User Relays to your HySecurity Operator

The customized Hy8Relay™ module provides eight additional user relays for integration with HySecurity's intelligent Smart Touch and Smart DC Controllers. Simple installation and direct communication expands the number of user relay functions available for all Smart Touch and Smart DC controllers with up-to-date software.

SPECIFICATIONS

Relay output

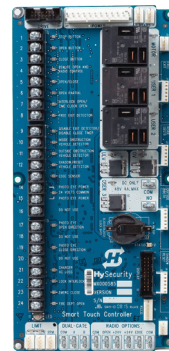
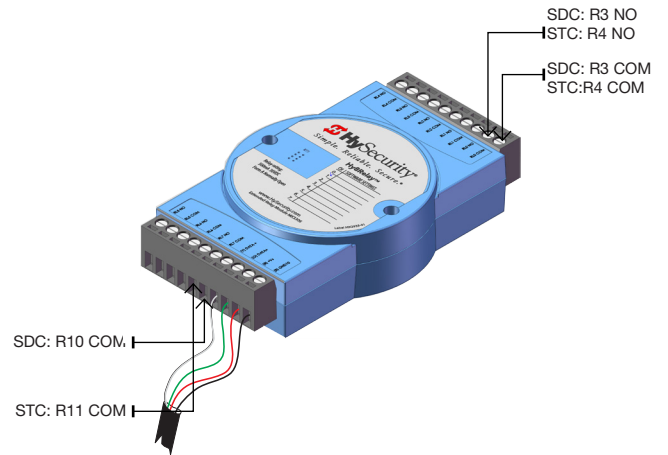
Channel	8 Form A
Contact Rating	AC: .5A @ 120VAC, .25A @ 240VAC
	DC: 1A @ 30VDC

Power

Power Consumption	1.8W @ 24DC
Certifications:	CE, FCC, Class A, UL

FEATURES

- For use with all HySecurity Operators with the STC or Smart DC boards
- Provides eight additional user relays
- Integrates with Smart Touch and Smart DC controllers using V2.95 or newest S.T.A.R.T. (Smart Touch Analyze & Retrieve Tool)
- Wiring harness - 4 wires; two to Dual Gate A & B; two to RS-485
- Two models - Smart DC Controllers: MX3307-01 and Smart Touch Controller - MX3307-02



Smart Touch Controller



Smart DC Controller



support.hysecurity.com

Nice/HySecurity is an industry leader of automated gate and perimeter security solutions.

The HySecurity brand provides high-quality, ultra-reliable industrial gate operators and crash-rated, Hostile Vehicle Mitigation (HVM) vehicle barriers designed to secure and protect critical infrastructure and facilities worldwide.

Nice

Niceforyou.com

©2023 Nice North America LLC. All rights reserved.

HySecurity is a registered trademark of Nice North America LLC.

All trademarks, logos and brand names are the property of their respective owners.

9481816401 Rev-B 09/2023 D0593

PART NUMBER: MX3307-01 | MX3307-02