

## Start Switch Replacement Identification for Baldor and Leeson Motors

**OPERATORS:** HydraSupply™, HydraSupplyXL™, SlideDriver™

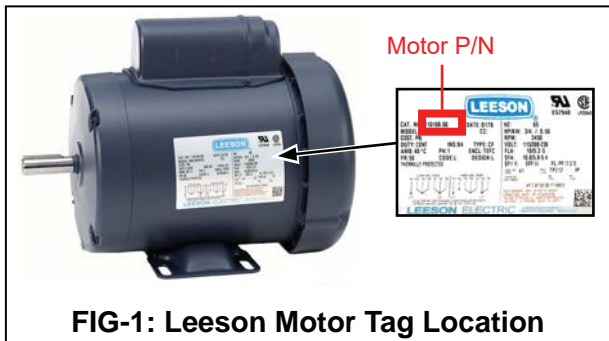
**EFFECTIVE DATE:** 06/15/2023

**SUBJECT:** Identification of Replacement Start Switch on Baldor and Lesson Motors

**DESCRIPTION:** This document provides instructions for identifying which part to use when replacing the start switch on a Leeson or Baldor motor. For start switch replacement instructions, refer to document P/N D0401.

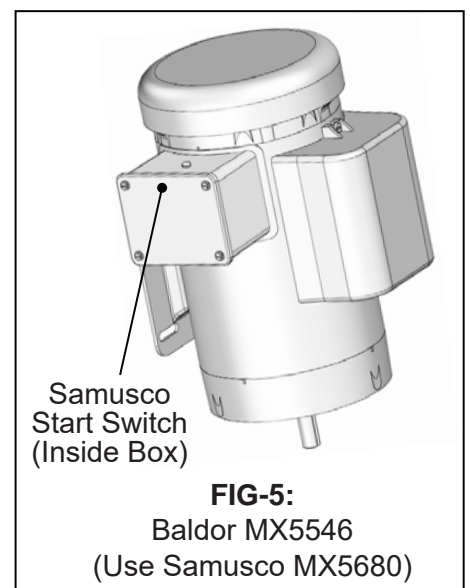
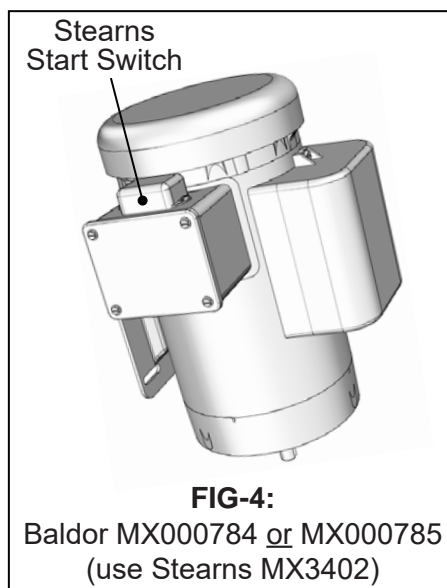
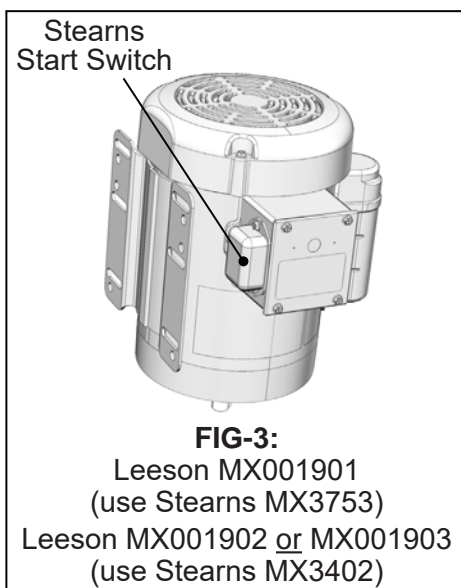
To determine the correct start switch when replacing on Baldor or Leeson motors, follow these instructions:

1. Locate the motor tag located on the Leeson or Baldor motor exterior, as shown in **FIG-1** or **FIG-2**, below.



2. Look for the motor part number in the Cat. No. (Catalog Number) field, which will be the first on the tag.
3. Note the motor part number (Cat. No.), then refer to the following list and images to determine which part is needed when replacing the start switch.

- **FIG-3:** Leeson MX001901 (3/4 HP) = Stearns P/N MS3753.  
Leeson MX001902 or MX001903 = Stearns P/N MX3753.
- **FIG-4:** Baldor MX000784 or MX000785 = Stearns P/N MX3402.
- **FIG-5:** Baldor MX5546 = Samusco P/N MX5680.



**Contact Information:** Visit <https://support.hysecurity.com/hc/en-us> for installation manuals, replacement part instructions, part diagrams and more. For the name of a qualified distributor near you, call HySecurity at 800-321-9947. \*Before contacting your distributor or HySecurity Technical Support, obtain the serial number of your operator.