



Technical Bulletin

New 8" AdvanceDrive Wheels

OPERATORS: SlideDriver™ operator models using 8" AdvanceDrive™ wheels

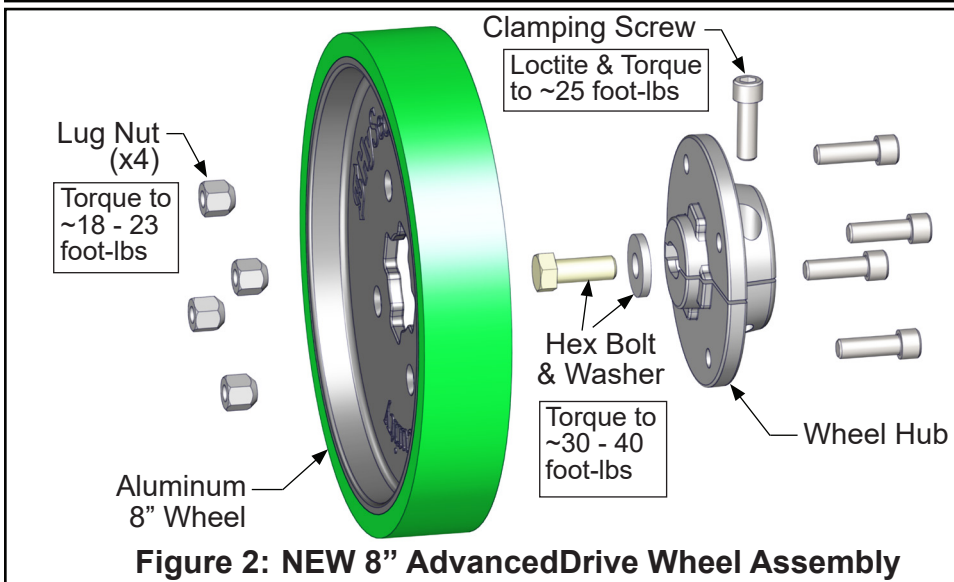
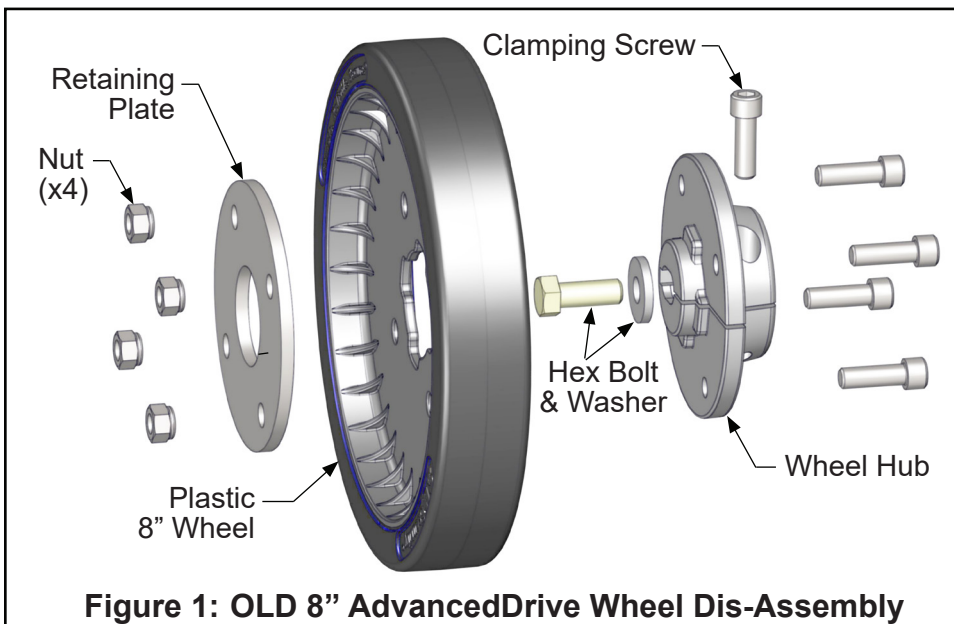
DATE: 04/21/2021

SUBJECT: New 8" aluminum AdvanceDrive wheels

SUBJECT DESCRIPTION: The 8" AdvanceDrive wheels used in SlideDriver models have been replaced with new wheels that do not require a metal retaining plate.

IMPACT: Simpler disassembly during maintenance.

Figures 1 and 2 (below) show the differences between old and new AdvanceDrive wheel assemblies.



Part Numbers

Use the part numbers below to order 8" AdvanceDrive replacement kits.

To replace original aluminum wheels use:

P/N MX3132 AdvanceDrive, 8" Wheel, Hub, & Nuts

- wheel hub
- hub hardware (hex bolt, washer, clamping screw)
- new 8" aluminum wheel
- lug nuts (x4)

To replace plastic wheels use:

P/N MX5223 AdvanceDrive, 8" Wheel & Nuts

- new 8" aluminum wheel
- lug nuts (x4)

For lug nuts, use:

P/N MX4993

Lug Nut, 82 Deg, 5/16-24

- lug nuts (x4)

NOTE: New aluminum wheels are compatible with the wheel hubs used with plastic wheels, but require the longer lug nuts (P/N MX4993).

Contact Information:

Visit <https://support.hysecurity.com/hc/en-us> for installation manuals, replacement part instructions, part diagrams and more. Qualified HySecurity distributors are experienced and trained to assist in resolving installation problems. For the name of a qualified distributor near you, call HySecurity at 800-321-9947. *Before contacting your distributor or HySecurity Technical Support, obtain the serial number of your operator.