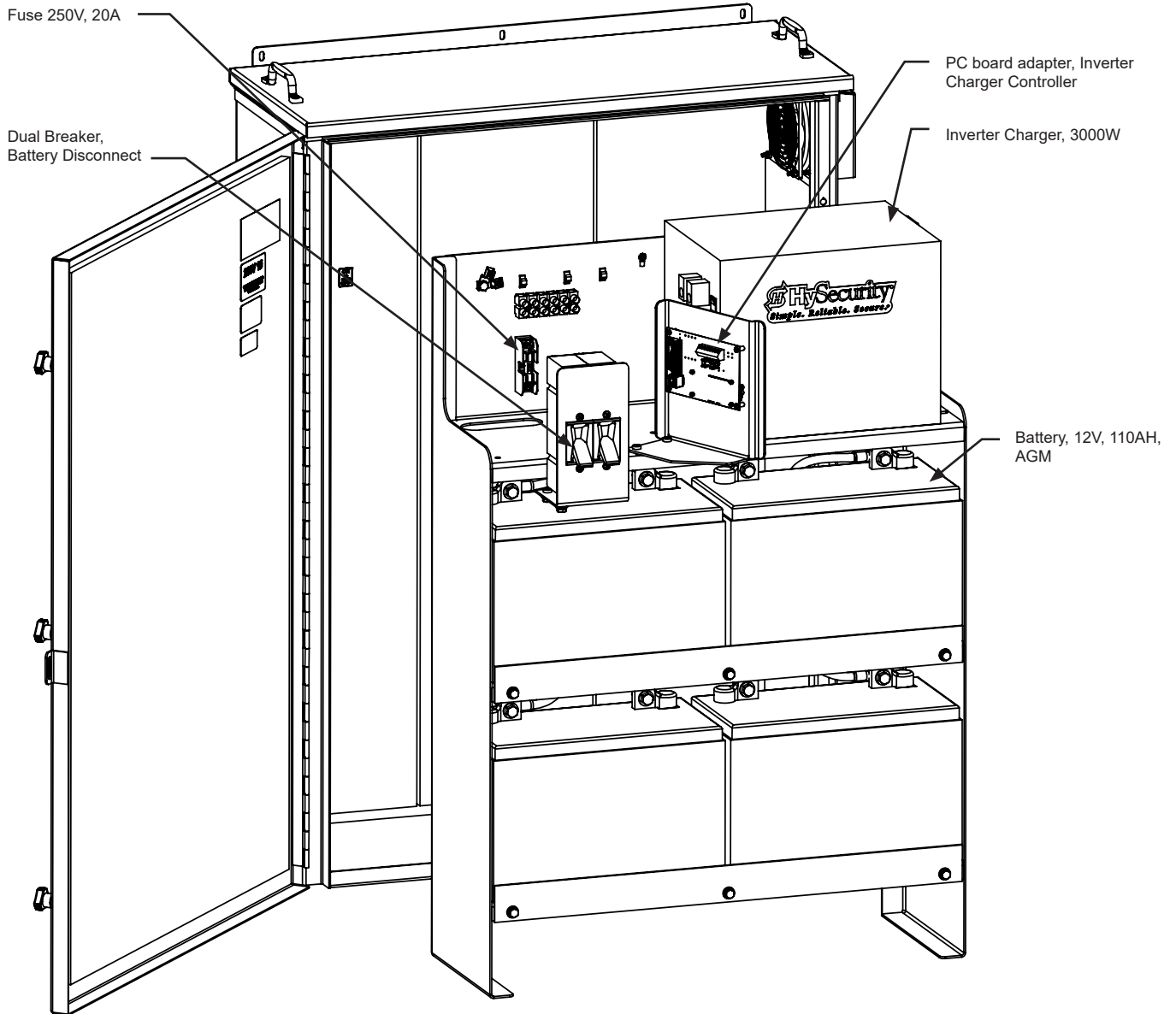




# AC Power Supply w/ HyInverter™ AC

## Part Diagrams

### AC Power Supply with HyInverter AC



This drawing is a representation and should be used for parts reference only.

| Part Name                                     | Part Number | HyInverter AC |
|---|-------------|---------------|
| Battery, 12V, 110AH, AGM                      | MX000877    | all           |
| Dual Breaker, Battery Disconnect              | MX3849      | all           |
| Fuse, 250V, 20A                               | MX002897    | all           |
| Inverter Charger, 3000W                       | MX002952    | all           |
| PC board adapter, Inverter Charger Controller | MX3511      | all           |