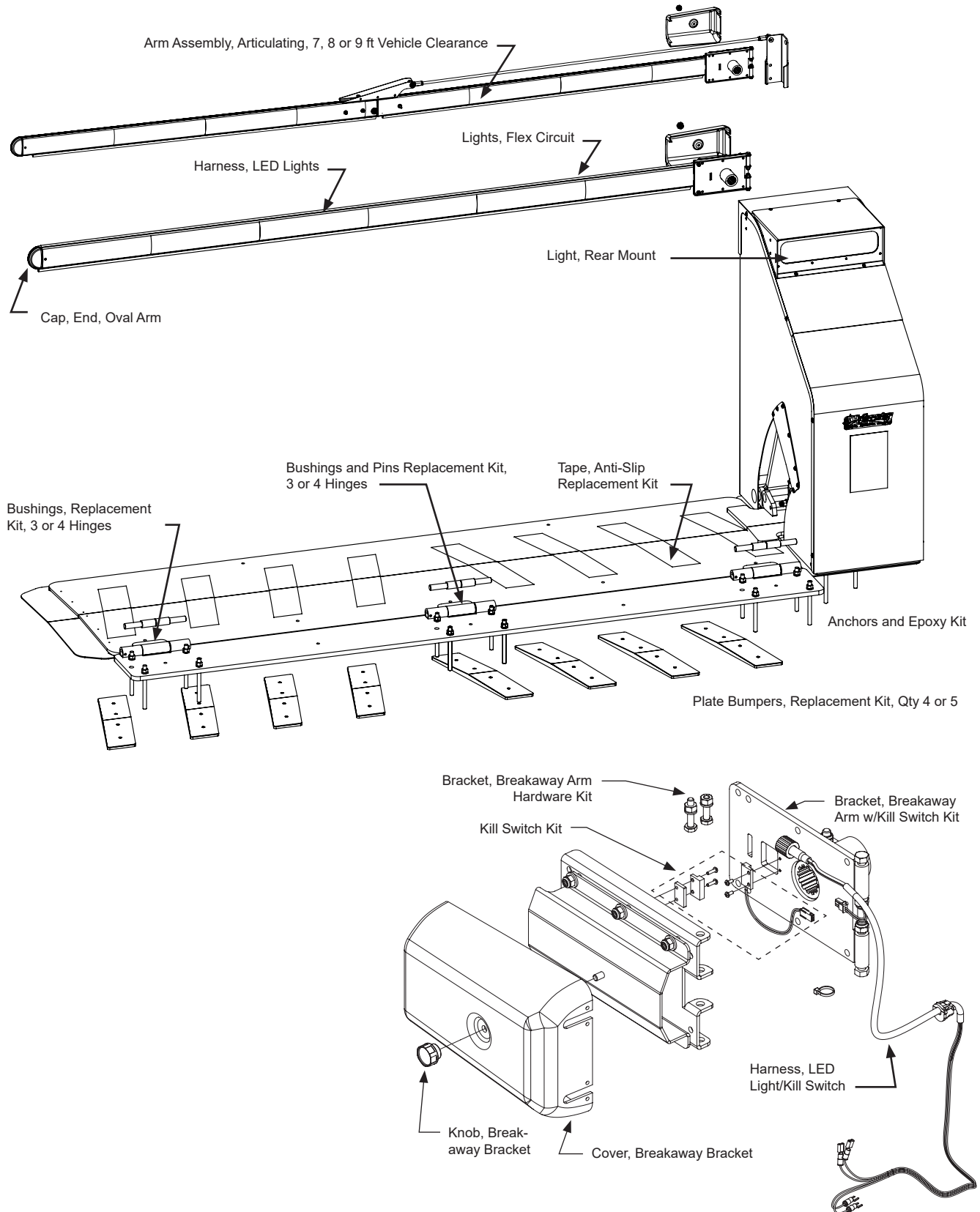




WedgeSmart™ DC

Part Diagrams

Arm Hardware and Plate



This drawing is a representation and should be used for parts reference only.

WedgeSmart™ DC



Part Diagrams

Arm Hardware and Plate

Part Name	Part Number	WedgeSmart DC Models
Anchors and Epoxy Kit	MX3460	all
Arm Assembly, Aluminum, Oval, 9 ft	MX4182-09	9 ft model
Arm Assembly, Aluminum, Oval, 10 ft	MX4182-10	10 ft model
Arm Assembly, Articulating, 8 ft Vehicle Clearance	MX3114-03	all
Arm Assembly, Articulating, 9 ft Vehicle Clearance	MX3114-04	all
Bumpers, Replacement Kit, 12 and 14 ft Wedge Plate	MX3699-05	12 and 14 ft models
Bumpers, Replacement Kit, 9 and 10 ft Wedge Plate	MX3699-04	9 and 10 ft models
Bushings and Pins, 3 Hinges Replacement Kit	MX3697-03	9 and 10 ft models
Bushings and Pins, 4 Hinges, Replacement Kit	MX3697-04	12 and 14 ft models
Bushings, 3 Hinges, Replacement Kit	MX3696-03	9 and 10 ft models
Bushings, 4 Hinges, Replacement Kit	MX3696-04	12 and 14 ft models
Cap, End, Oval Arm	MX3555	all
Harness, LED Light/Kill Switch	MX4057	all
Knob, Cover, Breakaway Arm Bracket w/Kill Switch	MX002653	all
Light, Rear Mount, WedgeSmart DC	MX3805	all
Lights, Flexible, 10 ft	MX4124-10	all
Tape, Anti-Slip Replacement Kit	MX3698	all

Chassis, Drive and Electrical

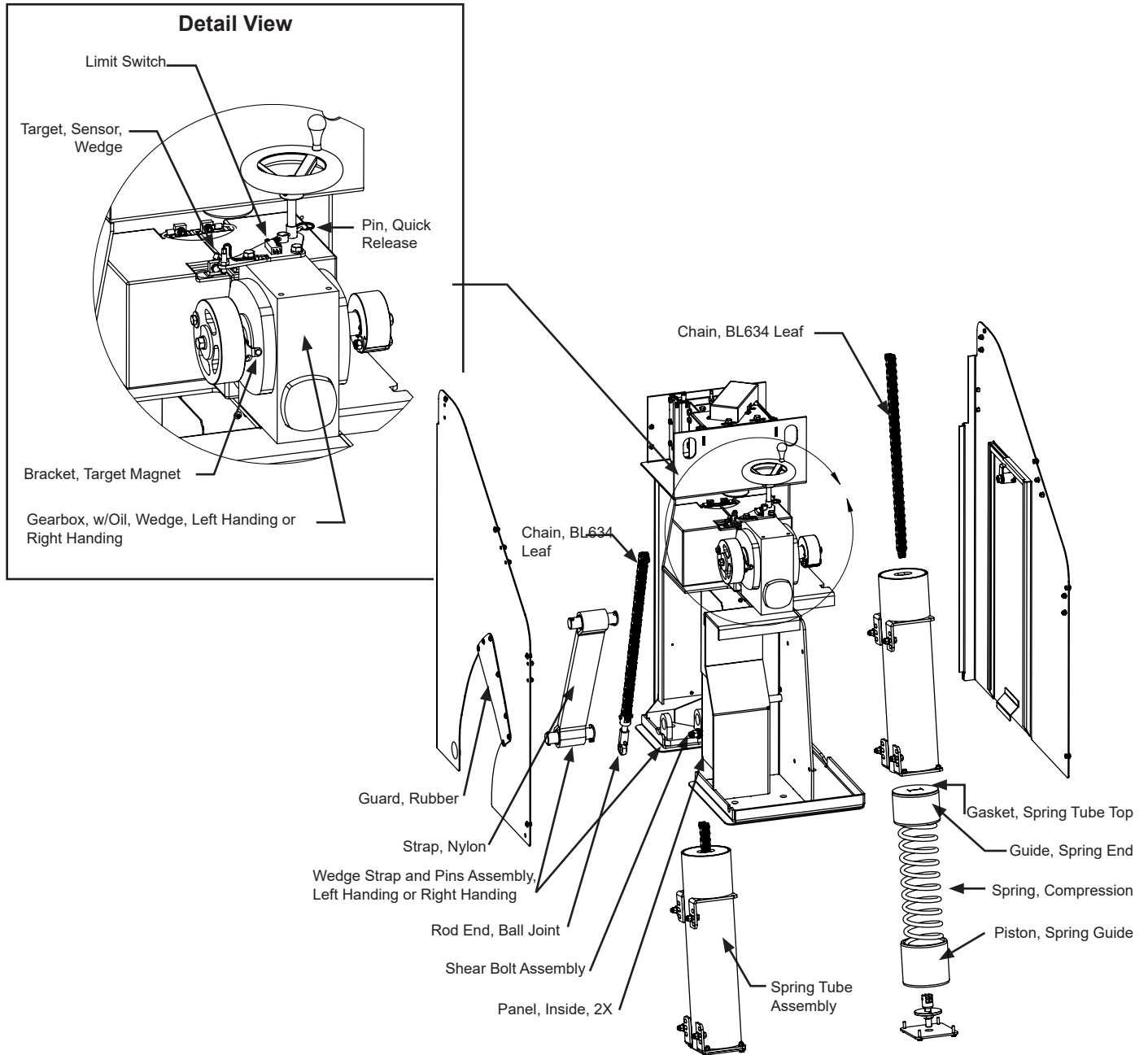
Part Name	Part Number	WedgeSmart DC Models
Bracket, Target Magnet	MX3416	all
Chain, BL634 Leaf	MX3241	all
Gasket, Spring Tube Top	MX3594	all
Gearbox, with Oil, Wedge, Left Handing	MX3701-01	Left hand
Gearbox, with Oil, Wedge, Right Handing	MX3701-02	Right hand
Guard, Rubber, Wedge Pivot	MX3454	all
Guide, Spring End	MX3766	all
Limit Switch	MX001777	all
Panel, Inside	MX3334	all
Pin, Quick Release, 3/16 x 1-1/2 inch	MX3374	all
Piston, Spring Guide	MX3767	all
Rod End, Ball Joint	MX3237	all
Shear Bolt Assembly	MX3395	all
Spring Tube, Assembly	MX3760	all
Spring, Compression	MX3756	all
Strap	MX3418	all
Target Sensor, Wedge, with Terminals	MX3566	all
Wedge Strap and Pins Assembly, Left Handing	MX3615-01	Left hand
Wedge Strap and Pins Assembly, Right Handing	MX3615-02	Right hand



WedgeSmart™ DC

Part Diagrams

Chassis, Drive and Electrical



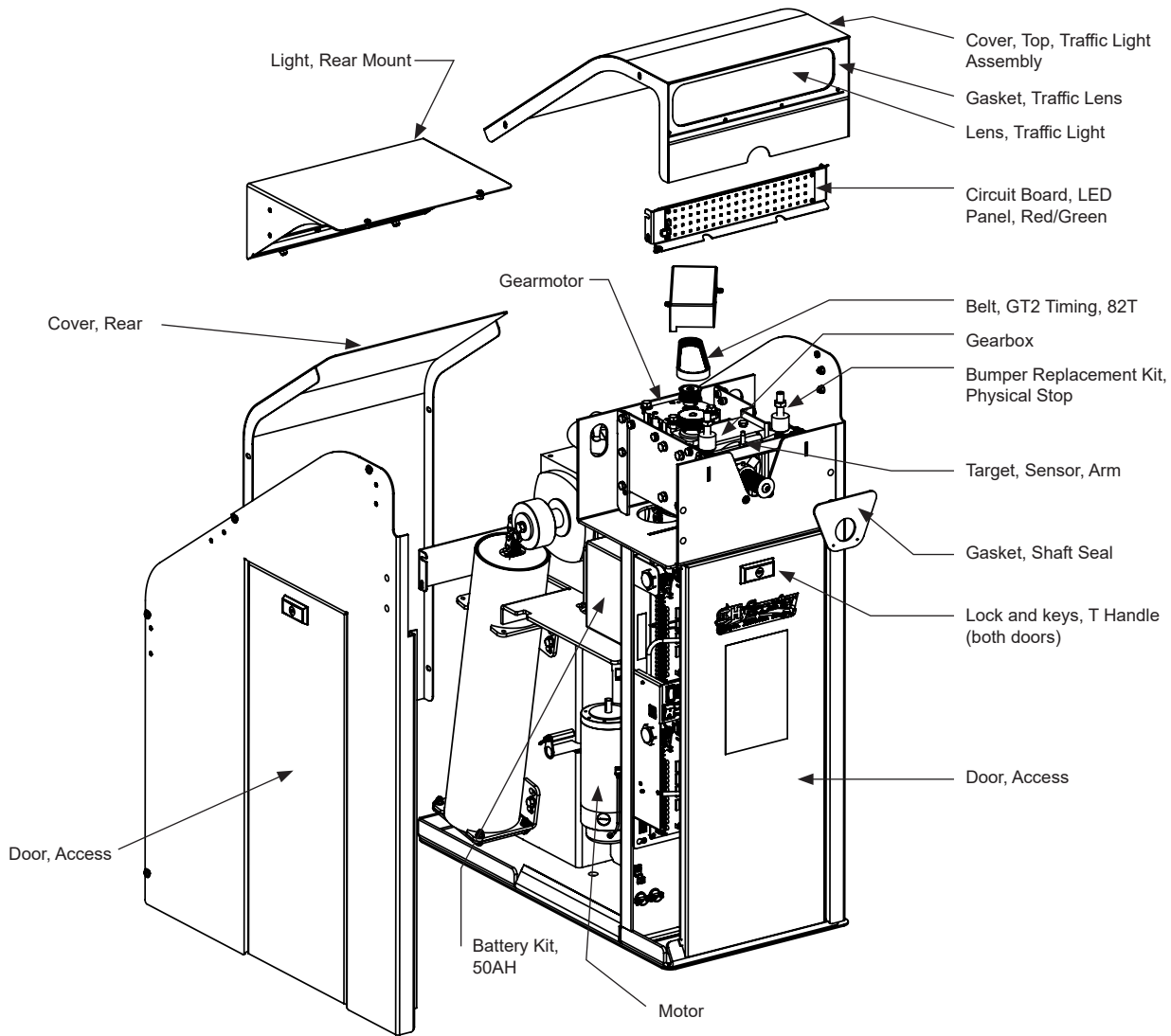
This drawing is a representation and should be used for parts reference only.

WedgeSmart™ DC

Part Diagrams



Chassis, Drive and Electrical



This drawing is a representation and should be used for parts reference only.

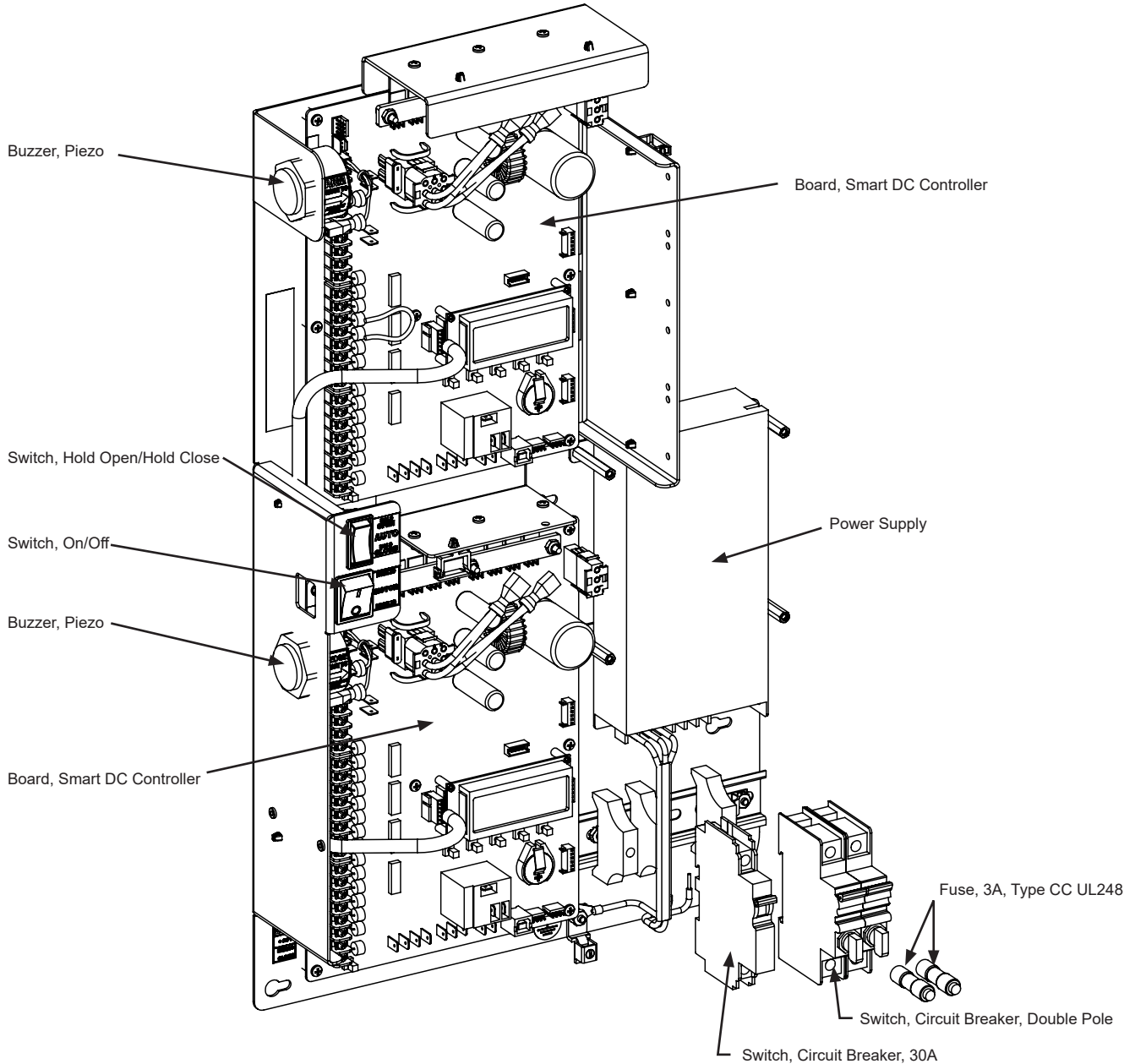
Part Name	Part Number	WedgeSmart DC Models
Battery Kit, 50Ah, Replacement	MX002013	all
Belt, Drive	MX3544	all
Bumper Replacement Kit, Physical Stop	MX3103	all
Counterweight, Barrier Arm, Breakaway	MX3267	all
Cover, Rear	MX3330	all
Cover, Top	MX3820	all
Door, Access	MX3331	all
Gasket, Shaft Seal	MX3627	all
Gasket, Traffic Lens	MX3818	all
Gearbox, with Oil	MX3270	all
Gearmotor, 24VDC, w/Hall Sensor	MX3585	all
LED Panel, Red/Green	MX3812	all
Lens, Traffic Light	MX3814	all
Light, Rear Mount, WedgeSmart DC	MX3805	all
Lock and keys, T-Lock	MX000296	all
Motor with sensor, 24VDC, 750W	MX002573	all
Target, Sensor, Arm	MX3219	all



WedgeSmart™ DC

Part Diagrams

Electrical



This drawing is a representation and should be used for parts reference only.

Part Name	Part Number	WedgeSmart DC Models
Board, Smart DC Controller	MX3037-0	all
Buzzer, Piezo	MX001036	all
Fuse, 3A, Type CC UL248	MX3538	all
Power Supply, 200W, 48VAC	MX3438	all
Switch, Circuit Breaker, 30A	MX3754	all
Switch, Circuit Breaker, Double Pole	MX3755	all
Switch, Hold Open/Hold Close	MX3011	all
Switch, On/Off	MX001761	all