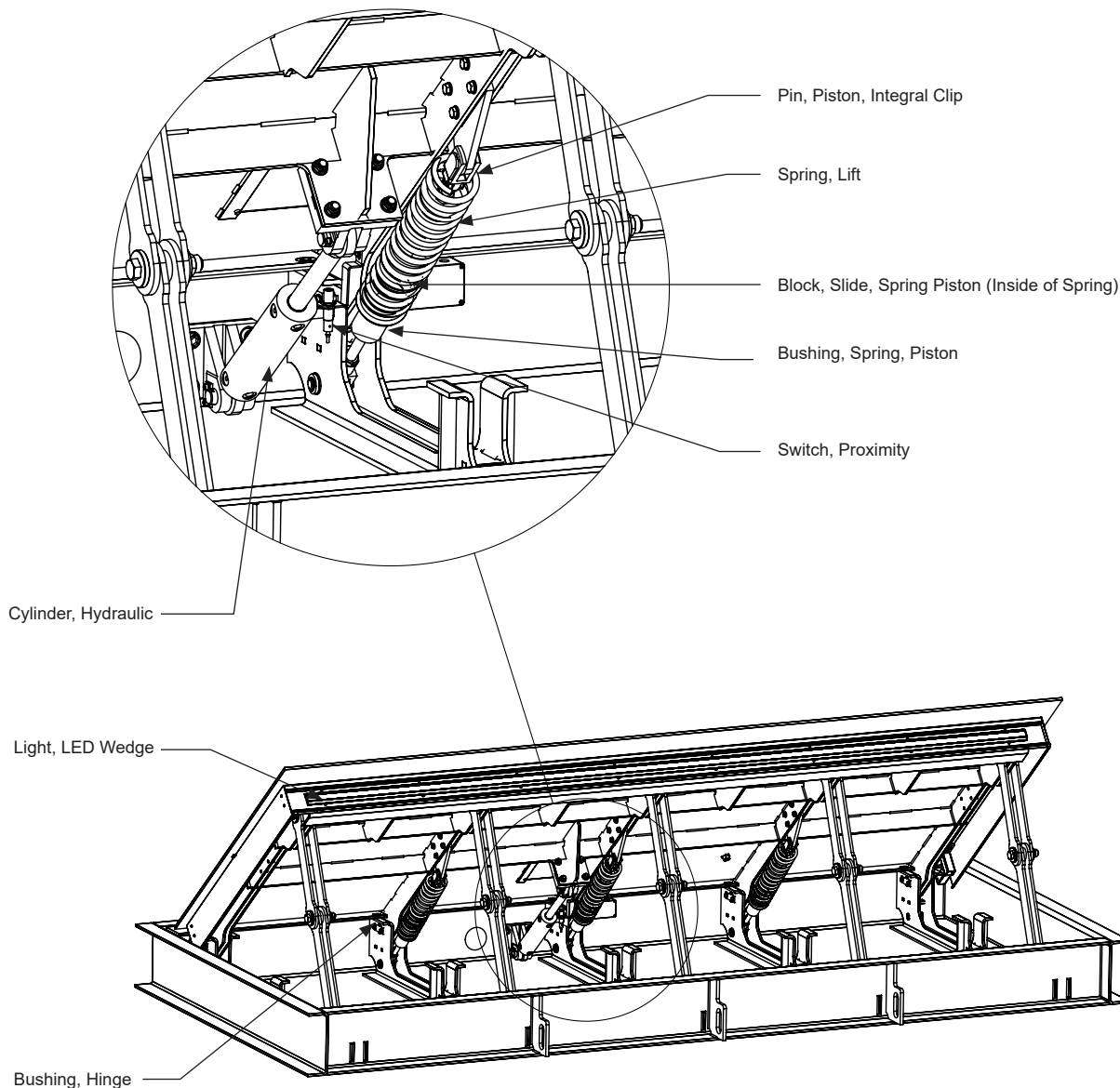


HydraWedge™ SM50

Part Diagrams

HydraWedge SM50 Wedge

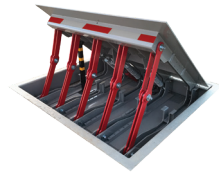


This drawing is a representation and should be used for parts reference only.

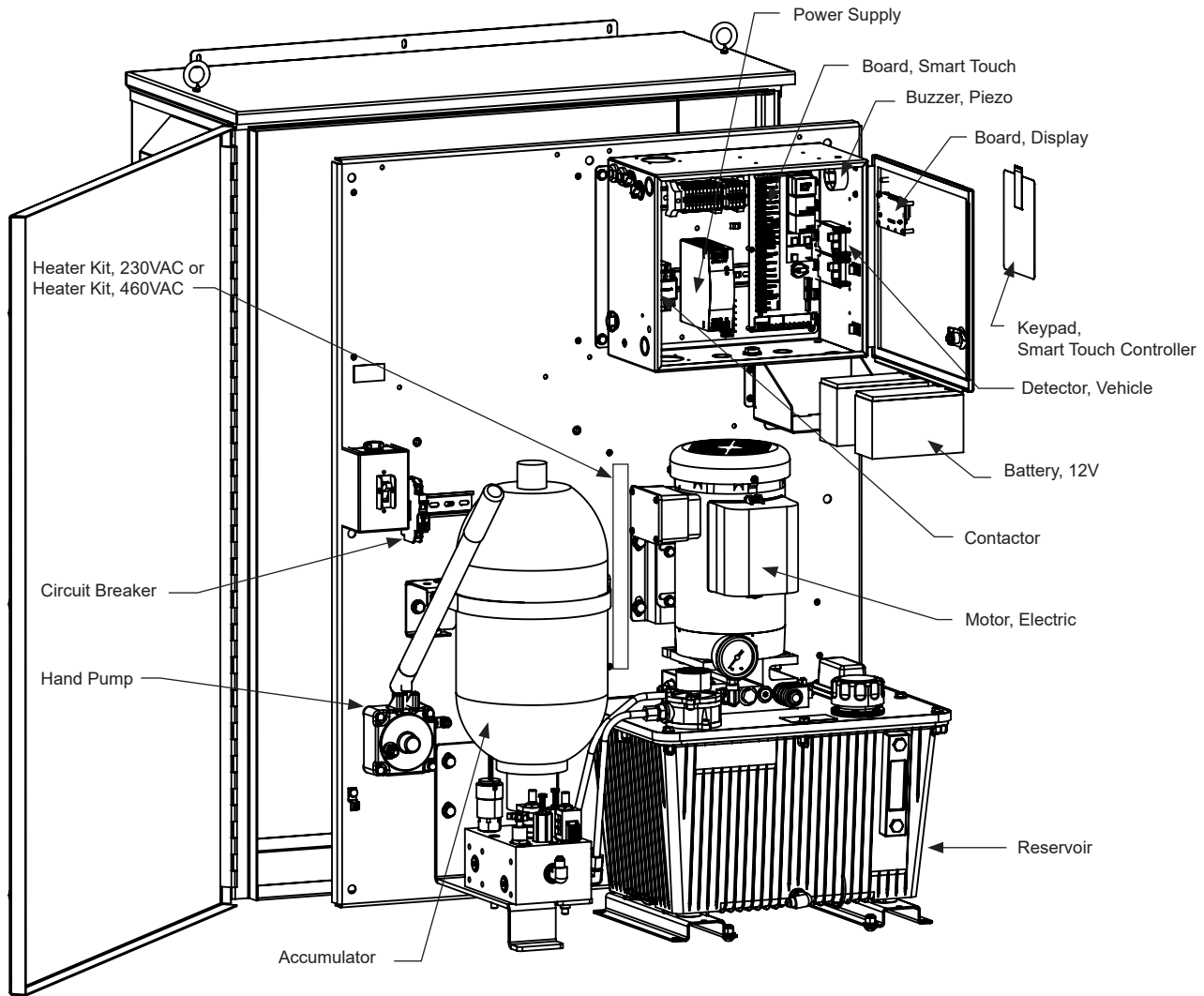
Part Name	Part Number	HydraWedge SM50 Models
Block, Slide, Spring Piston	MX3958	All
Bushing, Hinge, HydraWedge	MX3960	All
Bushing, Spring, Piston, HydraWedge	MX3956	All
Cylinder, Hydraulic, w/Fittings, HydraWedge	MX3964	All
Light, LED Wedge, 3 m	MX3963-XX	All
Pin, Piston, Integral Clip	MX3959	All
Spring, Lift, HydraWedge	MX3957	All
Switch, Proximity, NC, 18 mm NPN	MX3950	All

HydraWedge™ SM50

Part Diagrams

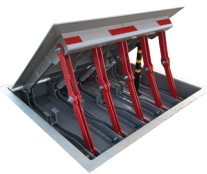


HydraSupply XL, Control Box



This drawing is a representation and should be used for parts reference only.

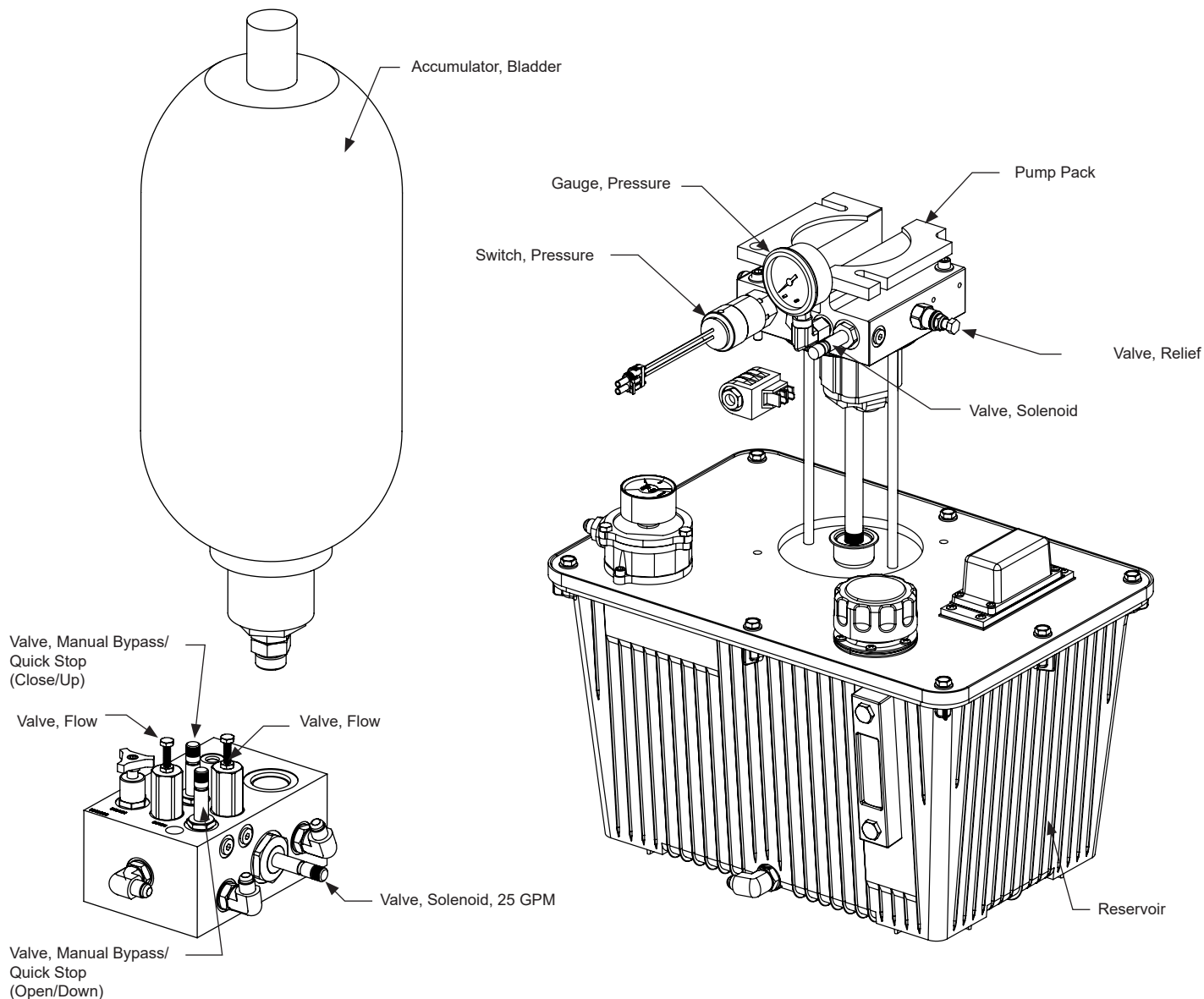
Part Name	Part Number	HydraWedge SM50 Models
Battery Kit, 8Ah, Replacement	MX002008	all
Board, Display	MX3356	all
Board, Smart Touch Controller	MX4134	all
Buzzer, Piezo	MX001036	all
Circuit Breaker, 3A, DC	MX3967	all
Coupler, Motor, 5/8 inch Shaft, 6T	MX002054	all
Detector, Vehicle, Hy5B™	MX4621	all
Hand Pump Assembly, 3000 PSI	MX4054	all
Heater Kit, 230VAC	MX001110	all
Heater Kit, 460VAC	MX001111	all
Keypad, Smart Touch Controller	MX3399	all
Motor, Electric, 60Hz, 2 hp, 1Ø, 3450 RPM, 208-230VAC	MX001637	all
Motor, Electric, 60Hz, 2 hp, 3Ø, 3450 RPM, 208-230/460VAC	MX001638	all
Power Supply, 120W, 24VDC	MX4097	all



HydraWedge™ SM50

Part Diagrams

HydraSupply XL, Accumulator and Reservoir



This drawing is a representation and should be used for parts reference only.

Part Name	Part Number	HydraWedge SM50 Models
Accumulator, Bladder, 2.5 gal	MX3741	all
Gauge, Pressure, 5000 PSI	MX3954	all
Pump Pack, 1.2 GPM, HydraWedge	MX3955-02	all
Pump Pack, 2.5 GPM, HydraWedge	MX3955-05	all
Switch, Pressure 2200-2500 PSI	MX4112	all
Valve, Flow, PCOMP 2 GPM	MX3739-02	all
Valve, Relief, 3000 PSI	MX000174	all
Valve, Manual Bypass/Quick Stop	MX000222	all
Valve, Solenoid, 25 GPM	MX3740	all
Valve, Solenoid, 2P2W	MX000173	all