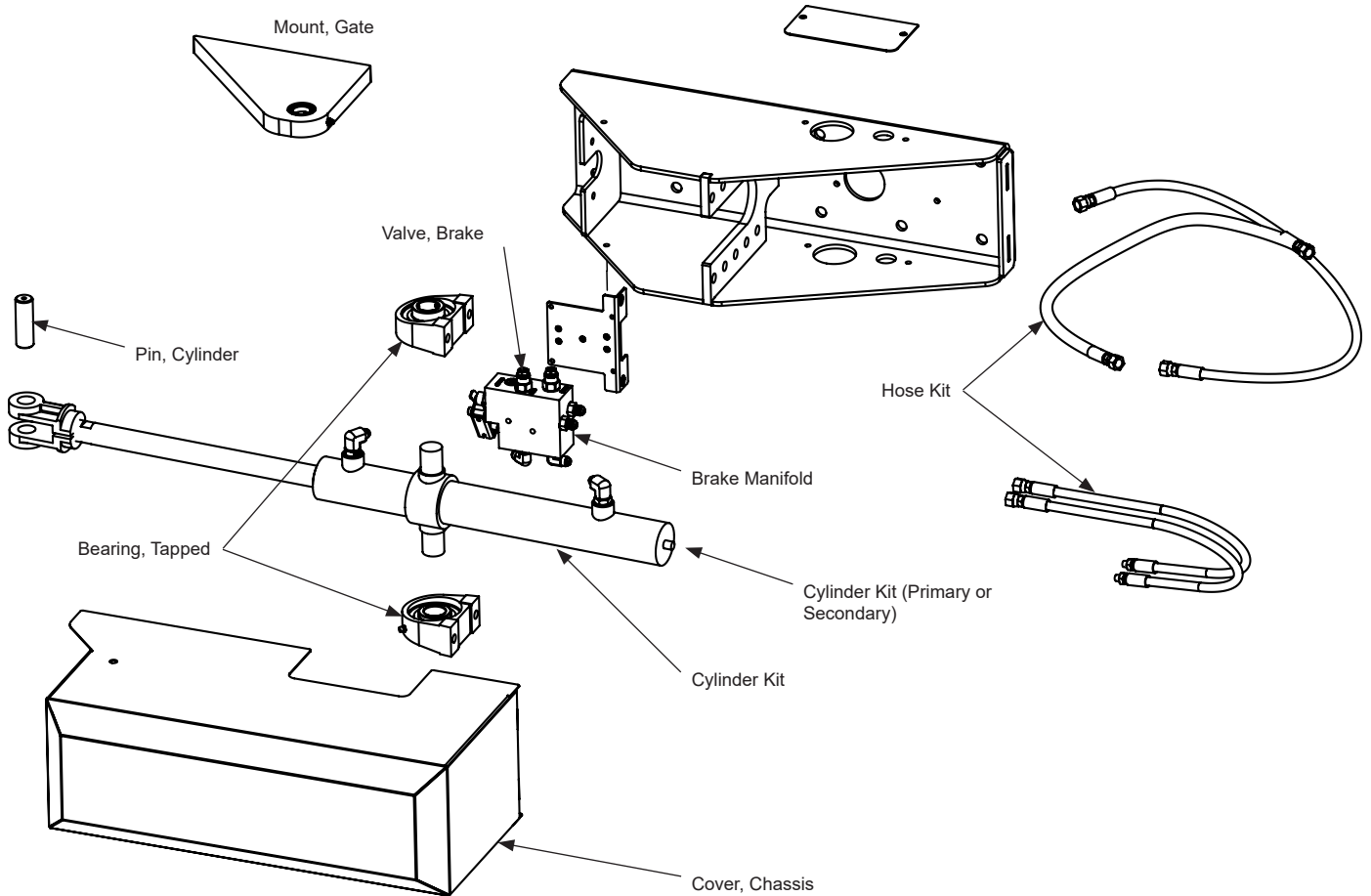




HydraSwing™

Part Diagrams

HydraSwing 40/40F Actuator



This drawing is a representation and should be used for parts reference only.

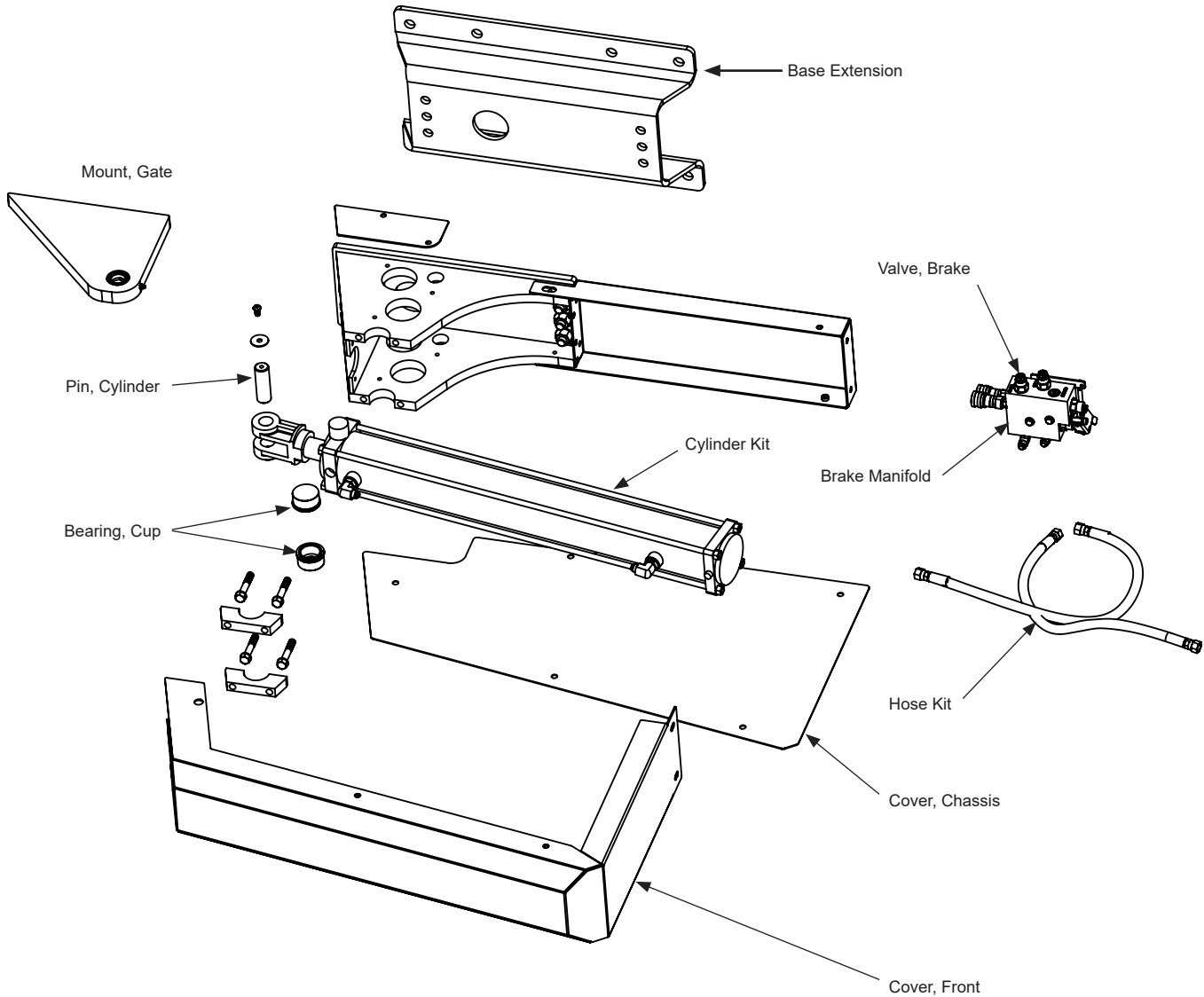
Part Name	Part Number	HydraSwing Models (current)
Bearing, Tapped, 1.25 inch	MX000770	all
Brake Manifold Assembly, HydraSwing 40/40F/40 Twin LH	MX3261-02	40/40F/40 Twin LH
Brake Manifold Assembly, HydraSwing 40/40F/40 Twin RH	MX3261-01	40/40F/40 Twin RH
Cover, Chassis, Standard, HydraSwing 40/40F	MX3531-04	all
Cylinder Kit, Position Sensing, 40/40F/40 Twin	MX3546	40/40F/40 Twin (Primary)
Cylinder Kit, without Sensor, 40/40F/40 Twin	MX3547	40/40F Twin (Secondary)
Hose Kit with Fittings, HydraSwing 40/40F	MX3545	all
Pin, Cylinder	MX3058	all
Valve, Brake	MX000234	all

HydraSwing™

Part Diagrams

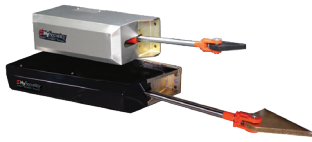


HydraSwing 80F/150 Actuator



This drawing is a representation and should be used for parts reference only.

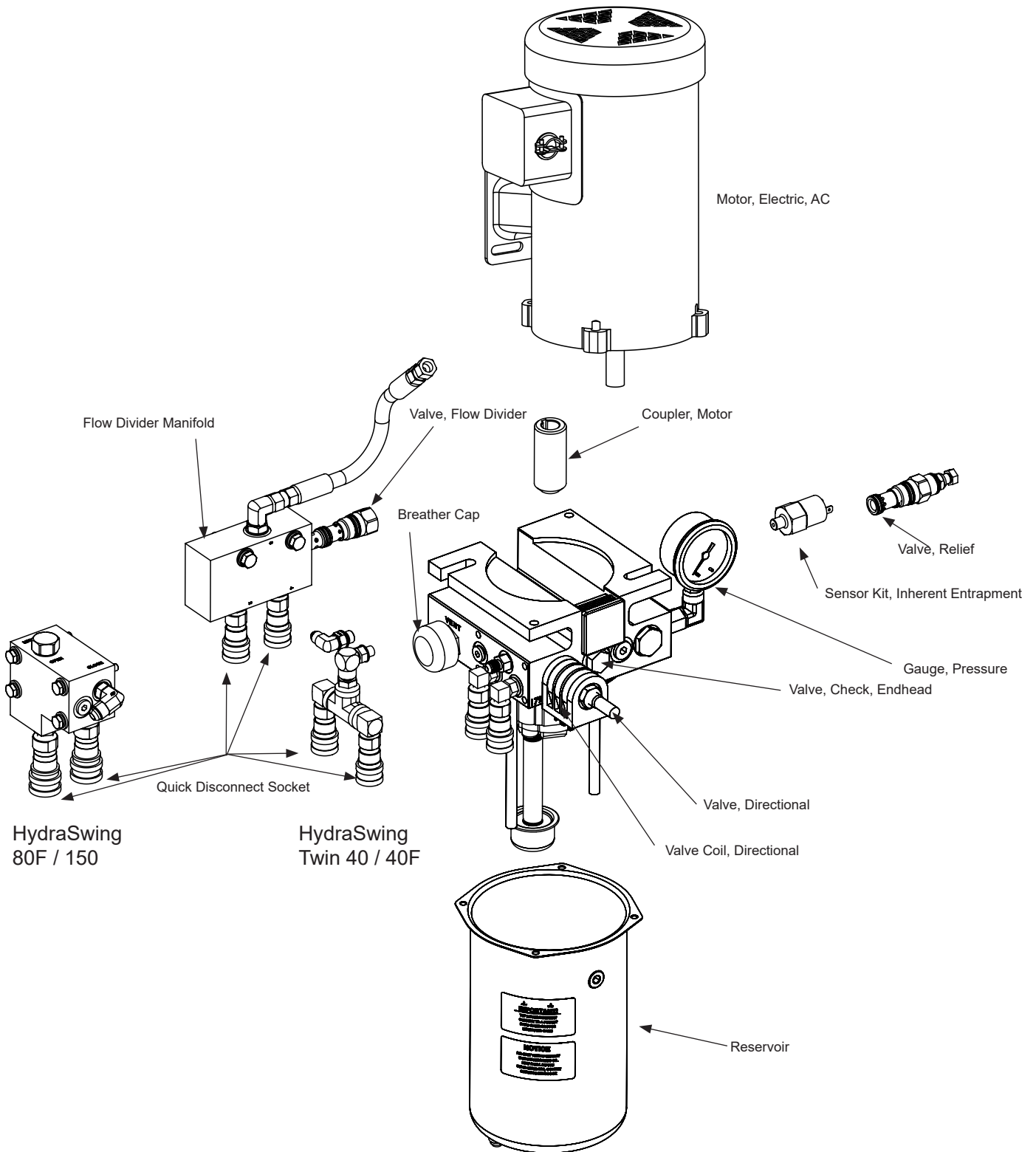
Part Name	Part Number	HydraSwing Models (current)
Base Extension, HydraSwing 80F/150	MX3225-02	all
Bearing, Cup, HydraSwing 80F/150	MX3224	all
Brake Manifold Assembly, HydraSwing 80F/150 LH	MX3317-02	80F/150 LH
Brake Manifold Assembly, HydraSwing 80F/150 RH	MX3317-01	80F/150 RH
Cover, Chassis, HydraSwing 80F/150	MX3069-02	all
Cover, Front, HydraSwing 80F/150	MX3532-02	all
Cylinder Assembly w/Fittings, HydraSwing 80F/150	MX3548	all
Hose Kit, HydraSwing 80F/150	MX3062	all
Pin, Cylinder	MX3058	all
Valve, Brake	MX000234	all



HydraSwing™

Part Diagrams

Pump Pack



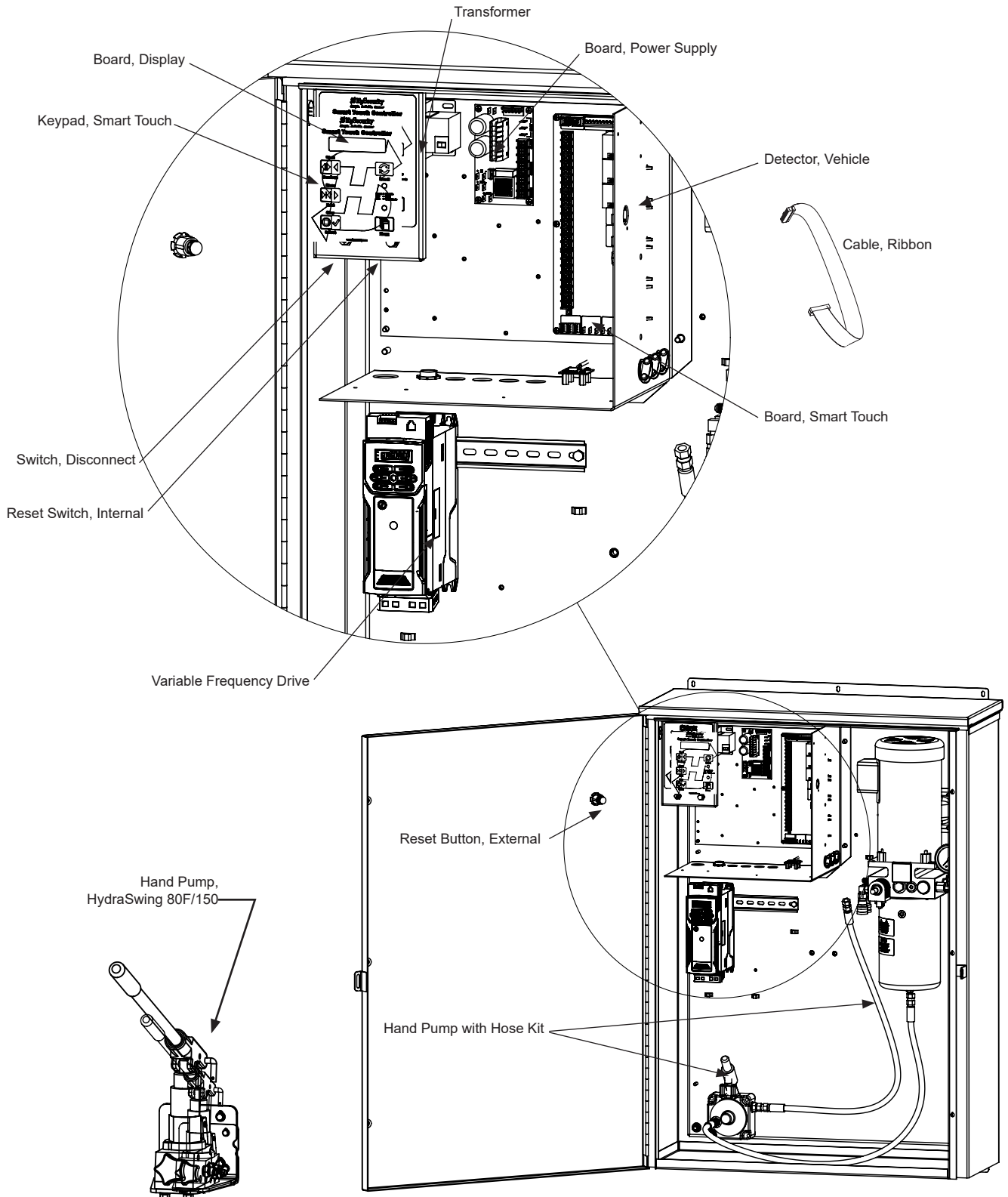
This drawing is a representation and should be used for parts reference only.

HydraSwing™

Part Diagrams



HydraSupply, Electrical



This drawing is a representation and should be used for parts reference only.



HydraSwing™

Part Diagrams

Pump Pack

Part Name	Part Number	HydraSwing Single Models (current)
Breather Cap	MX000686	all
Coupler, Motor, 5/8 inch Shaft, 6T	MX002054	all
Gauge, Pressure, 3000 PSI, Kit	MX001107	all
Motor, Electric, 60Hz, 2 hp, 3Ø, 3450 RPM, 208-230/460VAC	MX001638	all
Pump Pack, HydraSwing 150	MX3523	150
Pump Pack, HydraSwing 40	MX3520	40
Pump Pack, HydraSwing 40 Twin	MX3524	40 Twin
Pump Pack, HydraSwing 40F	MX3521	40F
Pump Pack, HydraSwing 40F Twin	MX3525	40F Twin
Pump Pack, HydraSwing 80F	MX3522	80F
Quick Disconnect, Plug, 1/4 inch	MX000202	80F/150
Quick Disconnect, Plug, 1/8 inch	MX000170	40/40F
Quick Disconnect, Socket, 1/4 inch	MX000201	80F/150
Quick Disconnect, Socket, 1/8 inch	MX000169	40/40F
Reservoir, 4 Qt	MX3475	all
Sensor Kit, Inherent Entrapment	MX000091	all
Valve Coil, Directional, 24VDC	MX000184	all
Valve, Check, Endhead Main	MX000171	all
Valve, Directional with Manual	MX001257	all
Valve, Flow Divider	MX000993	40/40F Twin
Valve, Relief, 1500 PSI	MX000658	all

HydraSupply, Electrical

Part Name	Part Number	HydraSwing Models (current)
Board, Display	MX3356	all
Board, Power Supply, AC	MX000487	all AC
Board, Smart Touch Controller	MX000585-0	all
Detector, Vehicle, Hy5B™	MX4621	all
Hand Pump Assembly, HydraSwing 80F/150	MX3549	80F/150
Hand Pump, Replacement Kit	MX001306	40/40F/40 Twin
Keypad, Smart Touch Controller	MX3399	all
Reset Button, External	MX001216	all
Reset Switch, Internal	MX002124	all
Switch, Disconnect	MX000715	all
Transformer, 24VAC Output, 75VA, 60Hz	MX000486	all 60Hz AC except 575VAC
Variable Frequency Drive Unit (VFD), Modbus, 208-230VAC, 50/60Hz, 1Ø/3Ø	MX4210	all 208,220,230VAC 50/60Hz input
Variable Frequency Drive Unit (VFD), Modbus, 380-460VAC, 50/60Hz, 3Ø	MX4211	all 380,460VAC 50/60Hz input