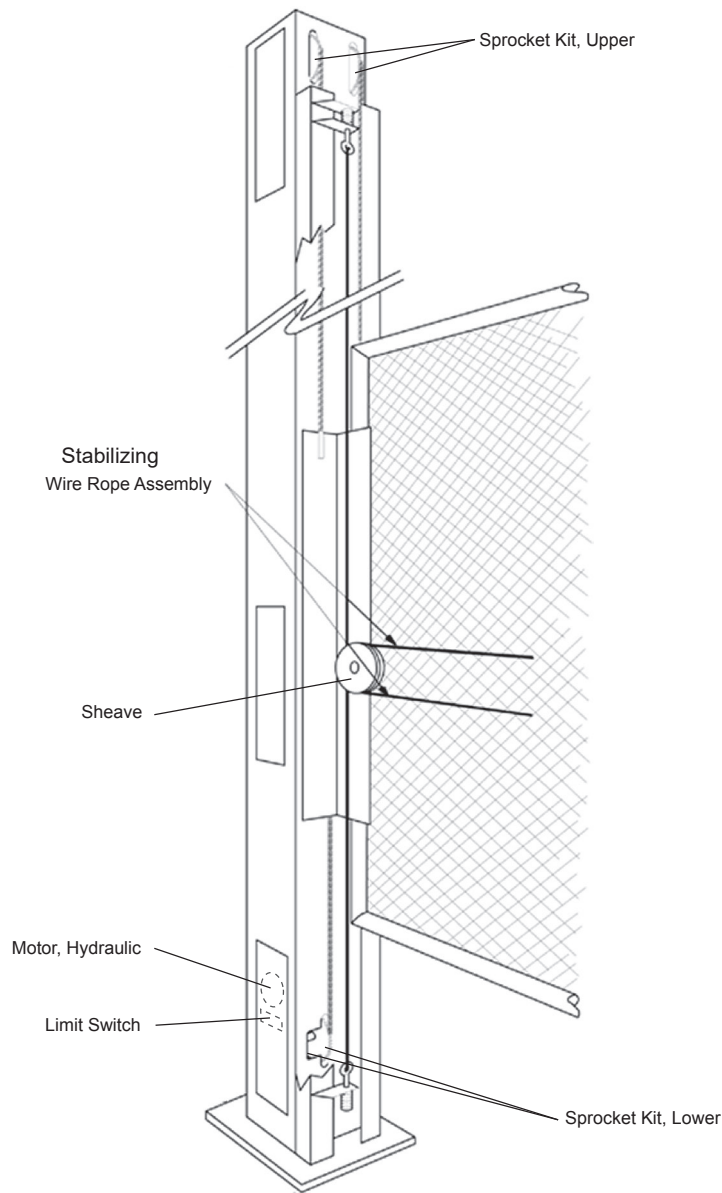




HydraLift™

Part Diagrams

Post (typical)



This drawing is a representation and should be used for parts reference only.

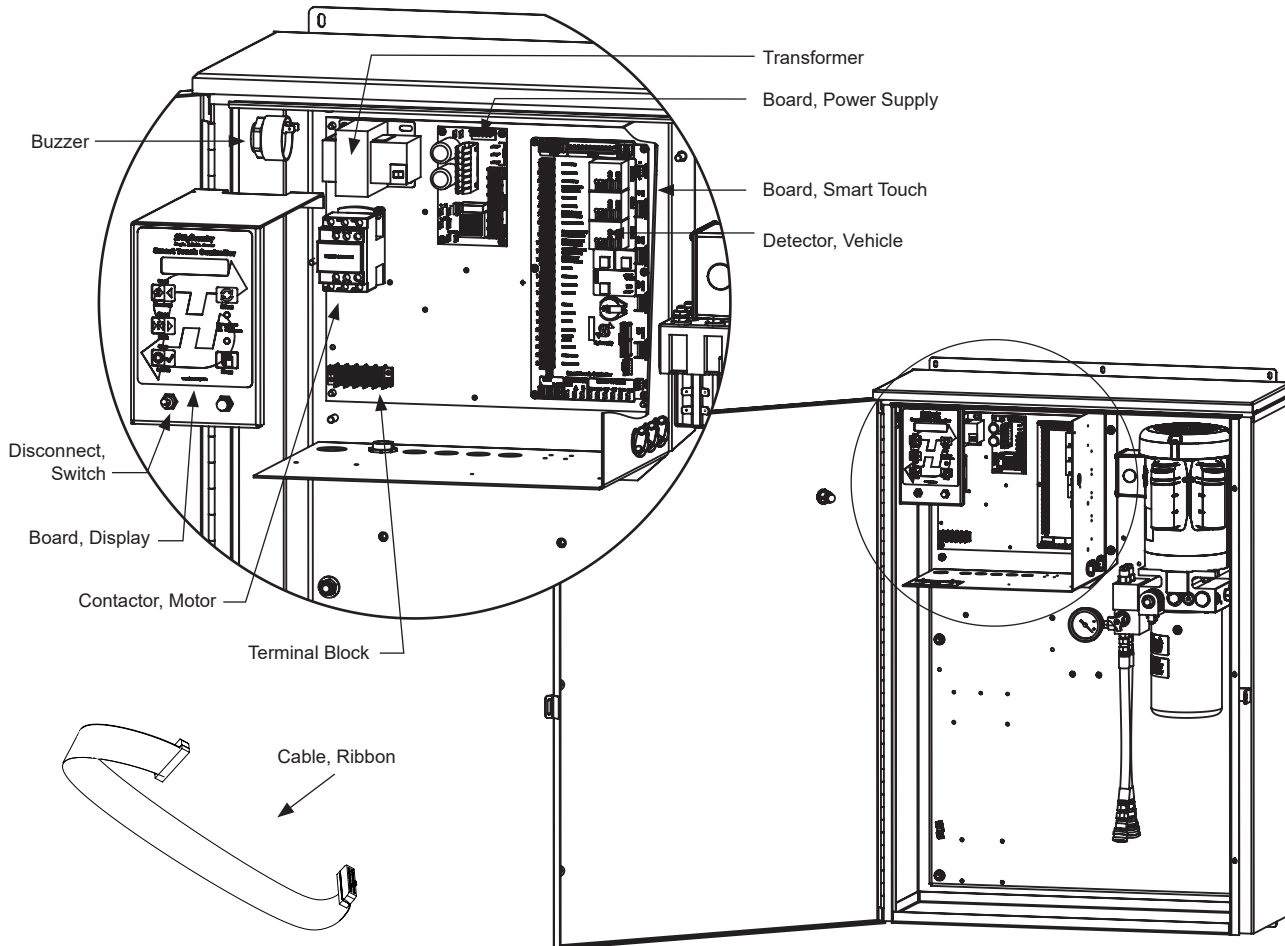
Part Name	Part Number	HydraLift Models
Limit Switch	MX4180	all
Motor, Hydraulic, RS-10 inch, HydraLift	MX000445	all
Sheave, Cable Pulley	MX000847	all
Sprocket Kit, Lower, HydraLift 10	MX001346	10 (HVG 420)
Sprocket Kit, Lower, HydraLift 10F	MX001350	10F (HVG 420EX)
Sprocket Kit, Lower, HydraLift 20	MX001347	20 (HVG 460)
Sprocket Kit, Lower, HydraLift 20F	MX001351	20F (HVG 460EX)
Sprocket Kit, Upper, HydraLift 10/10F	MX001348	10, 10F (HVG 420, 420EX)
Sprocket Kit, Upper, HydraLift 20/20F	MX001349	20, 20F (HVG 460, 460EX)
Wire Rope Assembly, Stabilization	MX001236	all

HydraLift™

Part Diagrams



Control Box



This drawing is a representation and should be used for parts reference only.

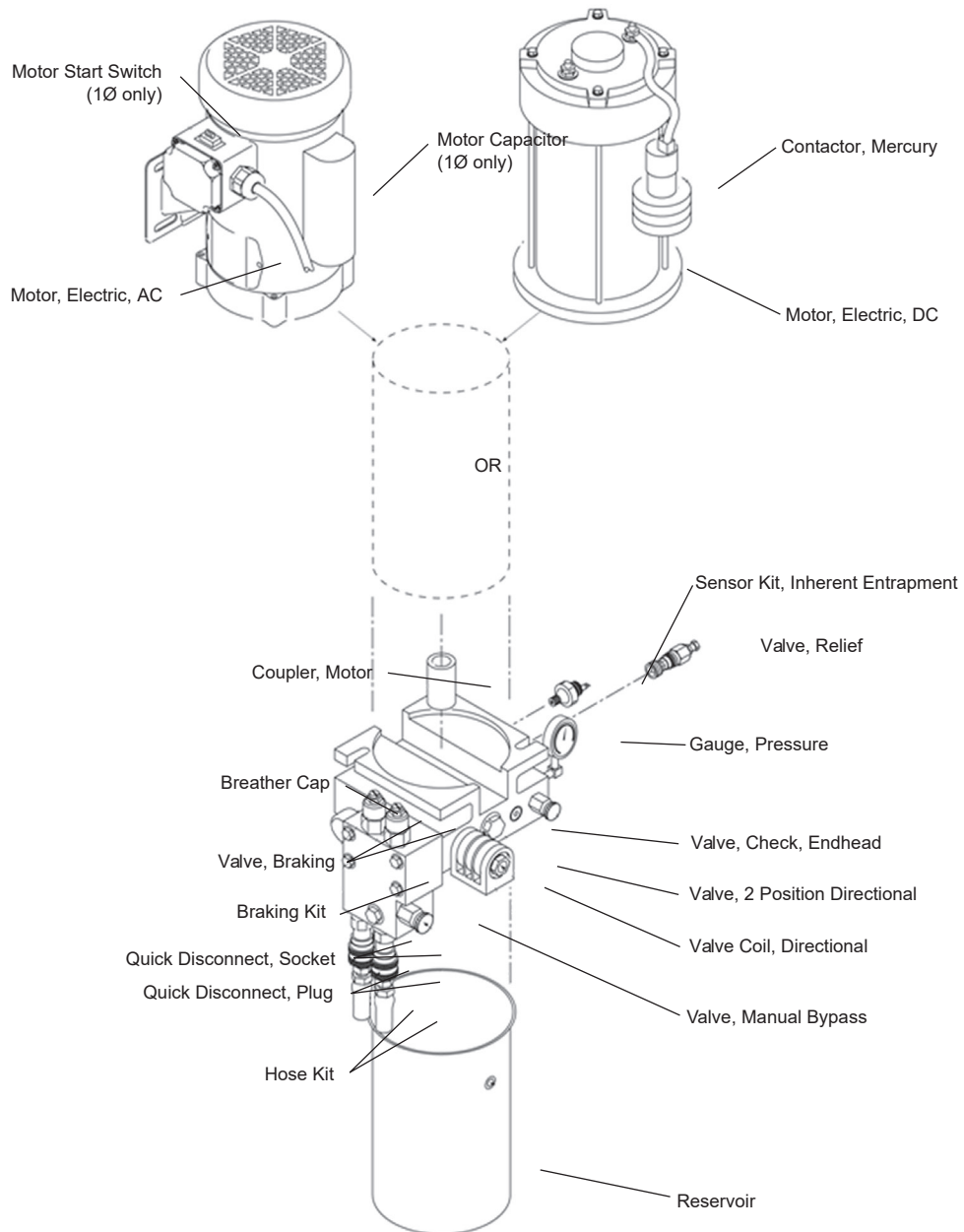
Part Name	Part Number	HydraLift Models
Board, Display	MX3356	all
Board, Power Supply, AC	MX000487	all AC
Board, Power Supply, DC	MX000369	all DC
Board, Smart Touch	MX000585	all
Buzzer, Piezo	MX001036	all
Cable, Ribbon, LCD	MX000046	all
Contactor, Motor	MX000485	all AC
Detector, Vehicle, Hy5B™	MX4125	all
Keypad, Smart Touch Controller	MX3399	all
Reset Button, External	MX001216	all
Reset Switch, Internal	MX002124	all
Switch, Disconnect	MX000715	all
Terminal Block, 5-Pole	MX001270	all
Transformer, 24VAC Output, 75VA, 60/50Hz	MX001249	575VAC only
Transformer, 24VAC Output, 75VA, 60Hz	MX000486	all 60Hz AC except 575VAC



HydraLift™

Part Diagrams

Pump Pack 10, 20 (HVG 420, 460)



This drawing is a representation and should be used for parts reference only.

HydraLift™

Part Diagrams



Pump Pack 10, 20 (HVG 420, 460)

Part Name	Part Number	HydraLift 10, 20 Models
Brake Kit, Manifold	MX001121	all
Breather Cap	MX000686	all
Contactora, Mercury	MX001098	all DC
Coupler, Motor, 5/8 inch Shaft, 6T, New	MX002054	all*
Coupler, Motor, 5/8 inch Shaft, 9T, Old	MX001650	all*
Gauge, Pressure, 3000 PSI, Kit	MX001107	all
Hose Fittings Kit	MX001140	all
Hose, 3/8 inch	MX001113	all
Motor Start Switch, 3/4 hp, 1 hp and 2 hp	MX3402	all AC 60Hz 1Ø
Motor, Electric, 24VDC, 2 hp	MX001647	all DC
Motor, Electric, 60Hz, 2 hp, 1Ø, 3450 RPM, 208/230VAC	MX001912	10, 20 (HVG 420, 460) 208/230VAC 60Hz 1Ø
Motor, Electric, 60Hz, 2 hp, 3Ø, 3450 RPM, 208-230/460VAC	MX001638	10, 20 (HVG 420, 460) 208/230/460VAC 60Hz 3Ø
Pump Pack, HydraLift 10 and 20	MX001971	10, 20 (HVG 420,460) 60Hz and DC
Quick Disconnect, Plug, 1/4 inch	MX000202	all
Quick Disconnect, Socket, 1/4 inch	MX000201	all
Reservoir, 4 Qt	MX000161	all
Sensor Kit, Inherent Entrapment	MX000091	all
Valve Coil, Directional, 24VDC	MX000184	all
Valve, 2 Position Directional	MX000172	all
Valve, Brake	MX000657	all
Valve, Check, Endhead Main	MX000171	all
Valve, Manual Bypass	MX001255	all
Valve, Relief, 3000 PSI	MX000174	all

Call for 50Hz motors and pump packs

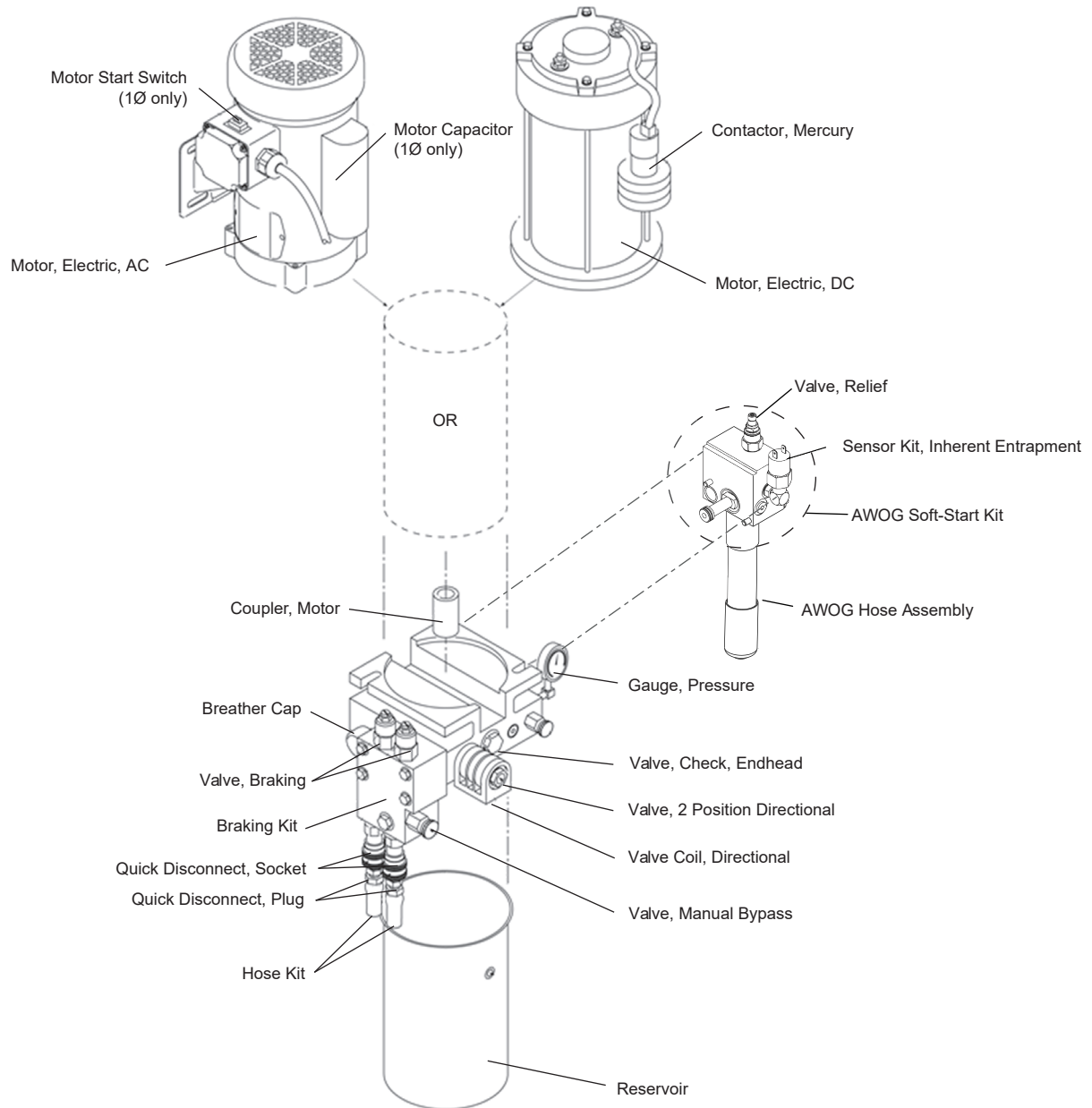
* Use MX002054 for operators manufactured after 6/1/2009, MX001650 for operators with pump packs manufactured before 6/1/2009.



HydraLift™

Part Diagrams

Pump Pack 10F, 20F (HVG 420 EX, 460 EX)



This drawing is a representation and should be used for parts reference only.

HydraLift™

Part Diagrams



Pump Pack 10F, 20F (HVG 420 EX, 460 EX)

Part Name	Part Number	HydraLift 10F, 20F Models
AWOG Hose Assembly, Face Down	MX000618	all
AWOG Soft Start Kit, Face Down	MX001276	all
Brake Kit, Manifold	MX001121	all
Breather Cap	MX000686	all
Contactora, Mercury	MX001098	all DC
Coupler, Motor, 5/8 inch Shaft, 6T, New	MX002054	all*
Coupler, Motor, 5/8 inch Shaft, 9T, Old	MX001650	all*
Gauge, Pressure, 3000 PSI, Kit	MX001107	all
Hose Fittings Kit, 3/8 inch	MX001140	all
Hose, 3/8 inch	MX001113	all
Motor Start Switch, 3/4 hp, 1 hp and 2 hp	MX3402	all AC 60Hz 1Ø
Motor, Baldor, 60Hz, 5 hp, 3Ø, 3450 RPM, 208-230/460VAC	MX001639	208/230/460VAC 60Hz 3Ø
Motor, Electric, 24VDC, 4 hp	MX001648	all DC
Motor, Electric, 60Hz, 5 hp, 1Ø, 3450 RPM, 208-230VAC	MX001725	208/230VAC 60Hz 1Ø
Pump Pack, HydraLift 10F and 20F	MX001972	10F, 20F (HVG 420EX, 460DX) 60Hz and DC
Quick Disconnect, Plug, 1/4 inch	MX000202	all
Quick Disconnect, Socket, 1/4 inch	MX000201	all
Reservoir, 4 Qt	MX000161	all
Sensor Kit, Inherent Entrapment	MX000091	all
Valve Coil, Directional, 24VDC	MX000184	all
Valve, 2 Position Directional	MX000172	all
Valve, Brake	MX000657	all
Valve, Check, Endhead Main	MX000171	all
Valve, Manual Bypass	MX001255	all
Valve, Relief, Soft-Start Operators, High Pressure	MX000480	all
<p>Call for 50Hz motors and pump packs</p> <p>* Use MX002054 for operators manufactured after 6/1/2009, MX001650 for operators with pump packs manufactured before 6/1/2009.</p>		