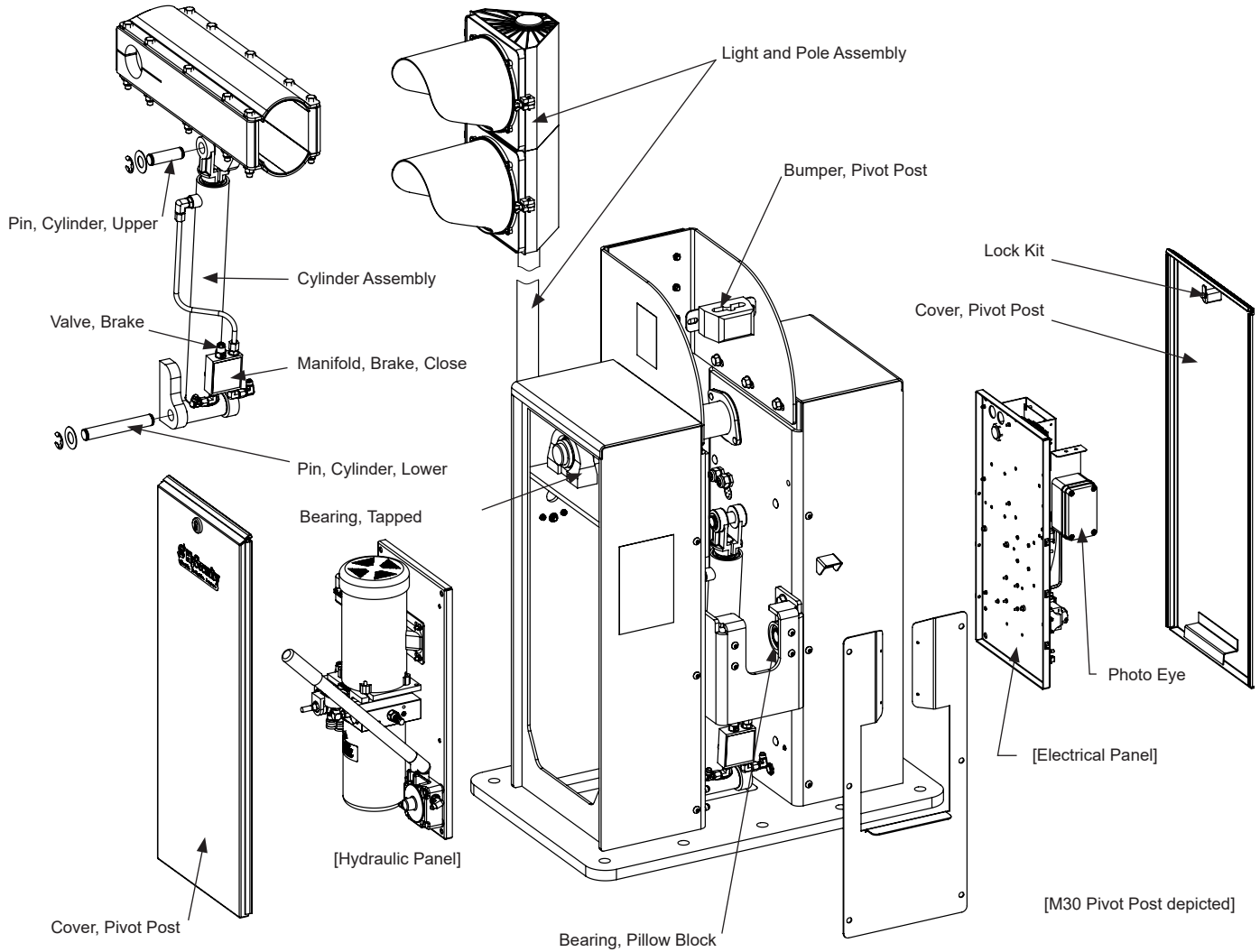




# StrongArm® M30/M50

## Pivot Post



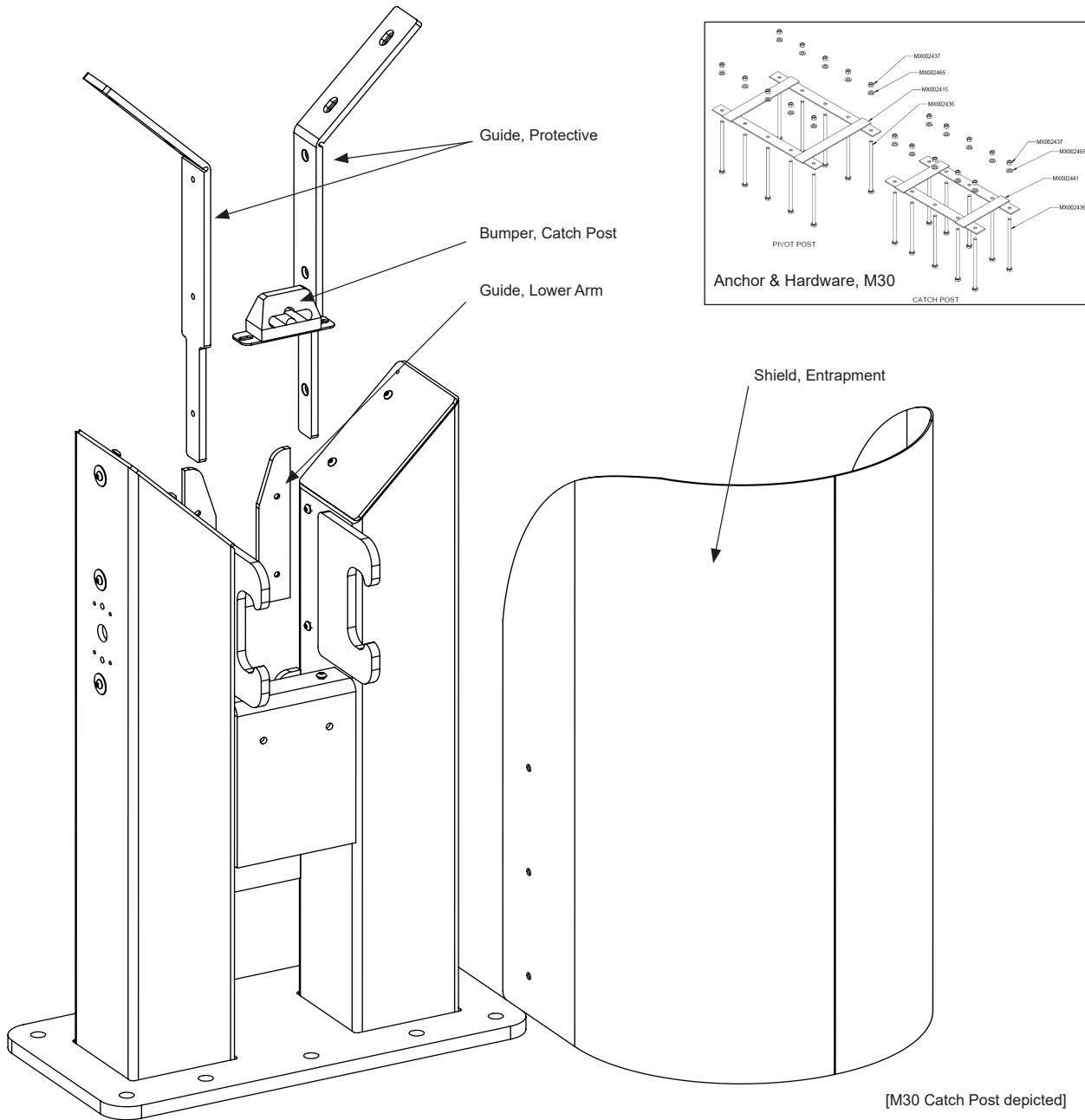
This drawing is a representation and should be used for parts reference only.

Part Name	Part Number	StrongArm M30/M50 Models
Bearing, Pillow Block, 1 inch	MX000771	all
Bearing, Tapped, 1.9375 inch	MX002647	all
Bumper, Pivot Post	MX002295	all
Cover, Pivot Post, Replacement Kit, Galvanized	MX002609	all
Cover, Pivot Post, Replacement Kit, Signal Yellow	MX002726	all
Cylinder Assembly, Position Sensing	MX002605	all
Light and Pole Assembly, Traffic, Galvanized Pole	MX4171	all
Light and Pole Assembly, Traffic, Yellow Pole	MX002728	all
Lock Kit, Interchangeable Core, Pivot Post Cover	MX3509	all
Manifold, Brake, Close	MX002837	all
Pin, Cylinder, Lower	MX002382	all
Pin, Cylinder, Upper	MX002381	all
Valve, Brake	MX000657	all

# StrongArm® M30/M50



## Catch Post



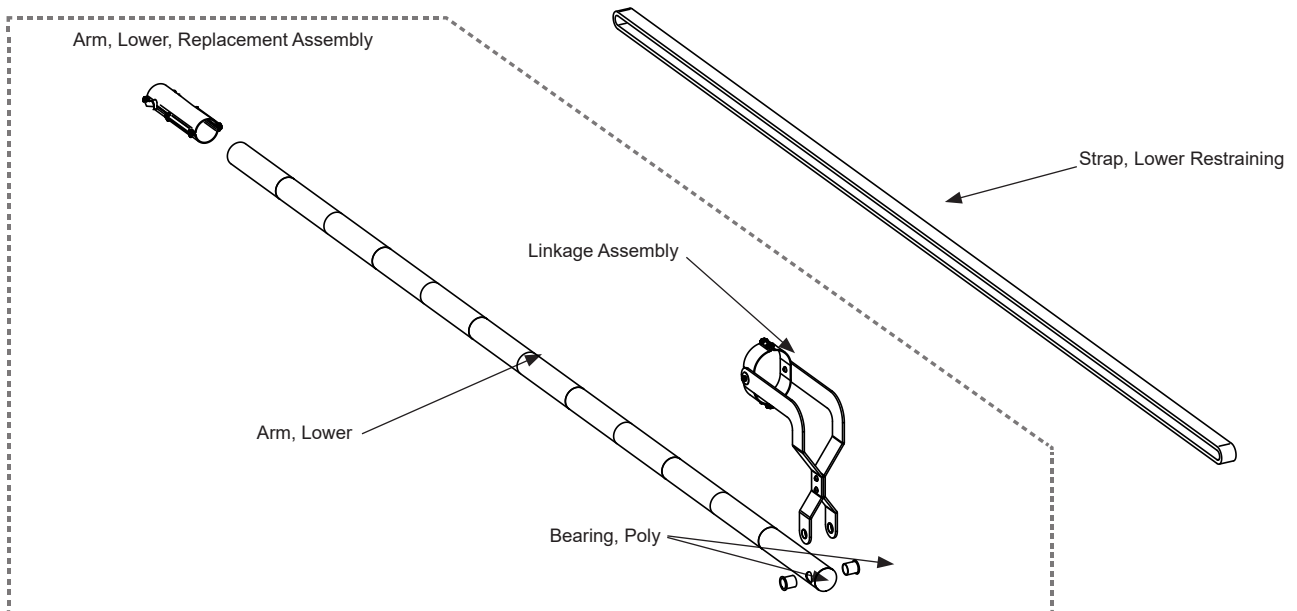
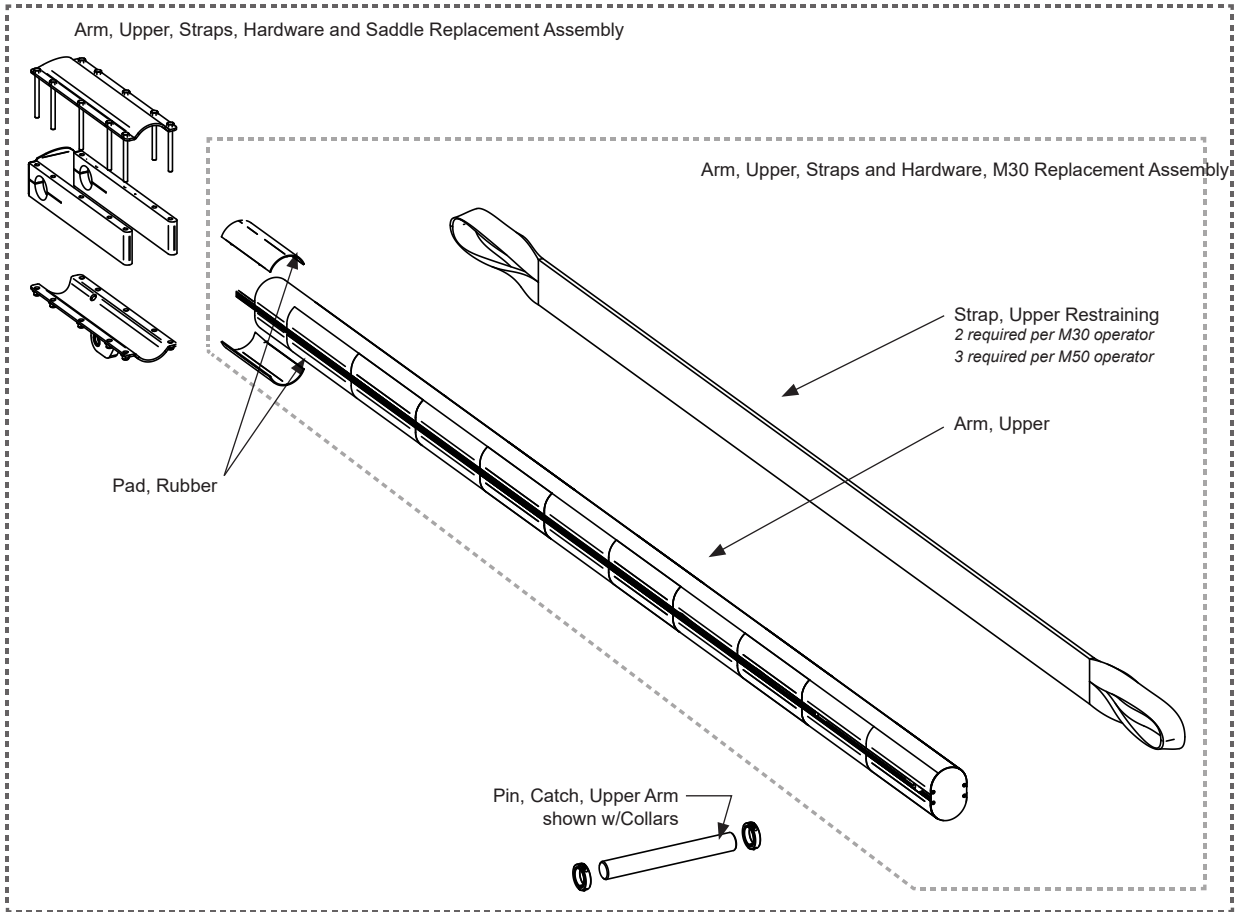
This drawing is a representation and should be used for parts reference only.

Part Name	Part Number	StrongArmCrash M30/M50 Models
Anchor and Template Kit, M30	MX002557	M30
Anchor and Template Kit, M50	MX3030	M50
Bumper, Catch Post	MX002708	all
Guide, Lower Arm, Catch Post	MX002851	all
Guide, Protective, Catch Post	MX002850	all
Shield, Entrapment, Catch Post	MX002834	all



# StrongArm® M30/M50

## Arms & Hardware



This drawing is a representation and should be used for parts reference only.

# StrongArm® M30/M50



## Arms & Hardware

Part Name	Part Number	Models
Arm, Lower, Replacement Assembly, 12 ft	MX2397-12	all
Arm, Lower, Replacement Assembly, 14 ft	MX2397-14	all
Arm, Lower, Replacement Assembly, 16 ft	MX2397-16	all
Arm, Lower, Replacement Assembly, 18 ft	MX2397-18	all
Arm, Lower, Replacement Assembly, 20 ft	MX2397-20	all
Arm, Lower, Replacement Assembly, 22 ft	MX2397-22	all
Arm, Lower, Replacement Assembly, 24 ft	MX2397-24	all
Arm, Upper, Replacement, 12 ft	MX2388-12	all
Arm, Upper, Replacement, 14 ft	MX2388-14	all
Arm, Upper, Replacement, 16 ft	MX2388-16	all
Arm, Upper, Replacement, 18 ft	MX2388-18	all
Arm, Upper, Replacement, 20 ft	MX2388-20	all
Arm, Upper, Replacement, 22 ft	MX2388-22	all
Arm, Upper, Replacement, 24 ft	MX2388-24	all
Arm, Upper, Straps, Hardware and Saddle, M30, 12 ft	MX2603-12	M30
Arm, Upper, Straps, Hardware and Saddle, M30, 14 ft	MX2603-14	M30
Arm, Upper, Straps, Hardware and Saddle, M30, 16 ft	MX2603-16	M30
Arm, Upper, Straps, Hardware and Saddle, M30, 18 ft	MX2603-18	M30
Arm, Upper, Straps, Hardware and Saddle, M30, 20 ft	MX2603-20	M30
Arm, Upper, Straps, Hardware and Saddle, M30, 22 ft	MX2603-22	M30
Arm, Upper, Straps, Hardware and Saddle, M30, 24 ft	MX2603-24	M30
Arm, Upper, Straps, Hardware and Saddle, M50, 12 ft	MX3029-12	M50
Arm, Upper, Straps, Hardware and Saddle, M50, 14 ft	MX3029-14	M50
Arm, Upper, Straps, Hardware and Saddle, M50, 16 ft	MX3029-16	M50
Arm, Upper, Straps, Hardware and Saddle, M50, 18 ft	MX3029-18	M50
Arm, Upper, Straps, Hardware and Saddle, M50, 20 ft	MX3029-20	M50
Arm, Upper, Straps, Hardware and Saddle, M50, 22 ft	MX3029-22	M50
Arm, Upper, Straps, Hardware and Saddle, M50, 24 ft	MX3029-24	M50
Arm, Upper, Straps, M30, 12 ft	MX3141-12	M30
Arm, Upper, Straps, M30, 14 ft	MX3141-14	M30

Part Name	Part Number	Models
Arm, Upper, Straps, M30, 16 ft	MX3141-16	M30
Arm, Upper, Straps, M30, 18 ft	MX3141-18	M30
Arm, Upper, Straps, M30, 20 ft	MX3141-20	M30
Arm, Upper, Straps, M30, 22 ft	MX3141-22	M30
Arm, Upper, Straps, M30, 24 ft	MX3141-24	M30
Arm, Upper, Straps, M50, 12 ft	MX3140-12	M50
Arm, Upper, Straps, M50, 14 ft	MX3140-14	M50
Arm, Upper, Straps, M50, 16 ft	MX3140-16	M50
Arm, Upper, Straps, M50, 18 ft	MX3140-18	M50
Arm, Upper, Straps, M50, 20 ft	MX3140-20	M50
Arm, Upper, Straps, M50, 22 ft	MX3140-22	M50
Arm, Upper, Straps, M50, 24 ft	MX3140-24	M50
Bearing, Poly, 1.25 inch ID x 1.5 inch	MX002588	all
Linkage Assembly, Lower Arm	MX002723	all
Pad, Rubber, 6 x 13.5 inch	MX002634	all
Pin, Catch, Upper Arm	MX002277	all
Strap, Lower Restraining, 12 ft	MX2387-12	all
Strap, Lower Restraining, 14 ft	MX2387-14	all
Strap, Lower Restraining, 16 ft	MX2387-16	all
Strap, Lower Restraining, 18 ft	MX2387-18	all
Strap, Lower Restraining, 20 ft	MX2387-20	all
Strap, Lower Restraining, 22 ft	MX2387-22	all
Strap, Lower Restraining, 24 ft	MX2387-24	all
Strap, Upper Restraining, 12 ft	MX2228-12	all
Strap, Upper Restraining, 14 ft	MX2228-14	all
Strap, Upper Restraining, 16 ft	MX2228-16	all
Strap, Upper Restraining, 18 ft	MX2228-18	all
Strap, Upper Restraining, 20 ft	MX2228-20	all
Strap, Upper Restraining, 22 ft	MX2228-22	all
Strap, Upper Restraining, 24 ft	MX2228-24	all

## Hydraulic Panel

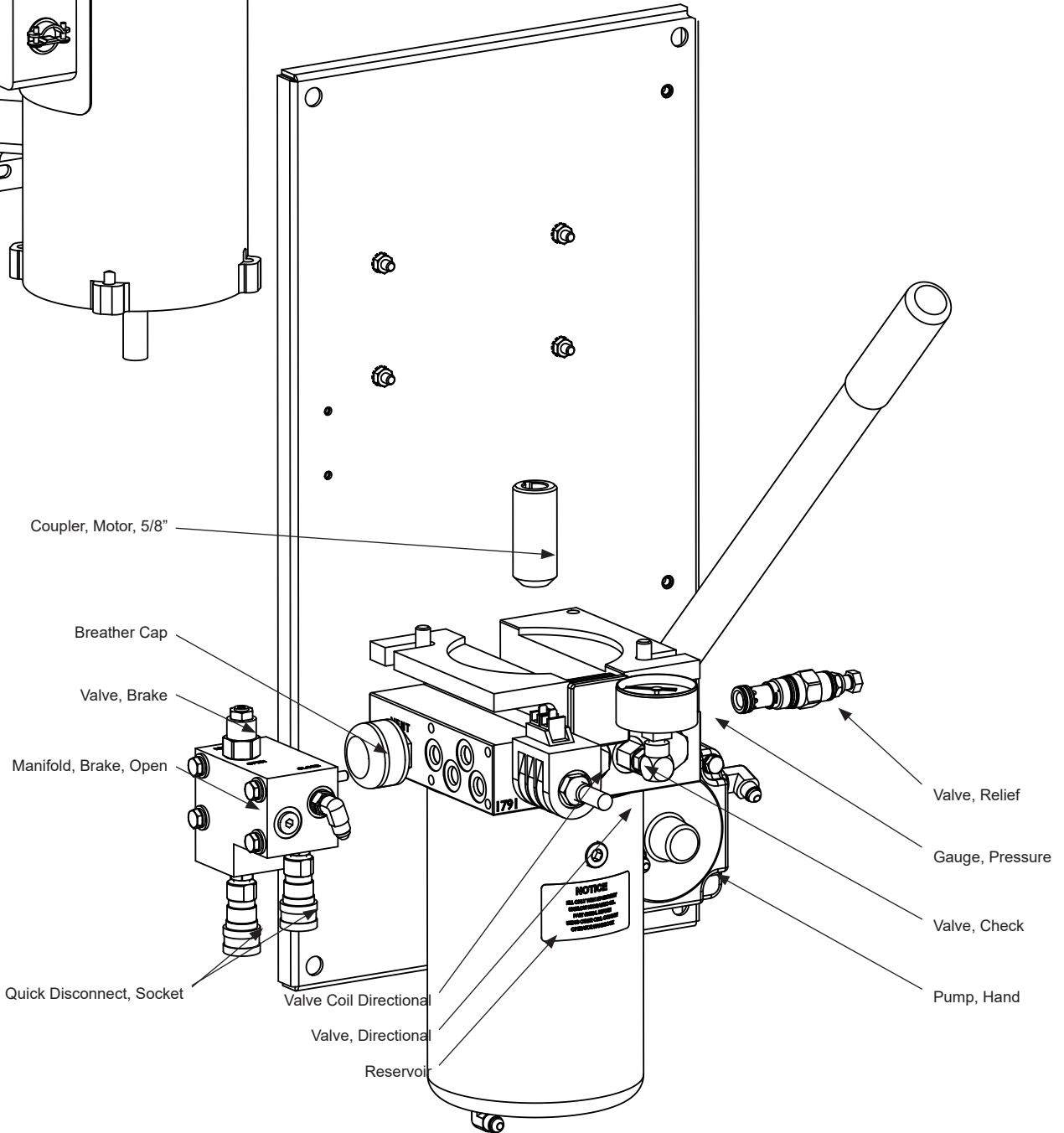
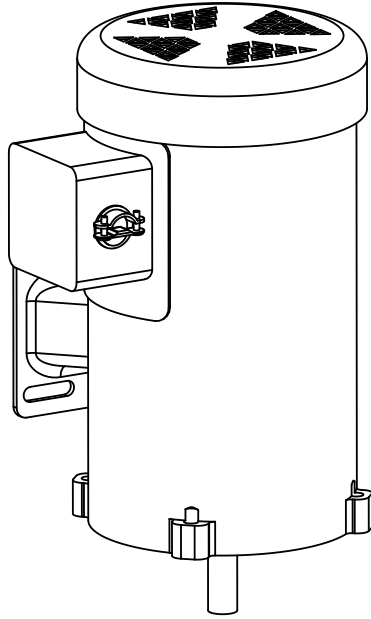
Part Name	Part Number	StrongArm M30/M50 Standard Models
Breather Cap	MX000686	all
Contact, DC Motor	MX002768	all
Coupler, Motor, 5/8 inch Shaft, 6T, New	MX002054	all
Fluid, Biodegradable Hydraulic	MX002836	all
Fluid, Hydraulic	MX000970	all
Gauge, Pressure, 2000 PSI, Kit	MX001106	all
Manifold, Brake, Open, Assembly	MX002412	all
Motor, Electric, 60Hz, 2 hp, 3Ø, 3450 RPM, 208-230/460VAC	MX001638	all
Pump Pack, Biodegradable, StrongArm M30/M50, 12 - 18 ft	MX3683	StrongArm M30, 12-18' arm
Pump Pack, Biodegradable, StrongArm M30/M50, 20 - 24 ft	MX3682	StrongArm M30, 20-24' arm
Pump Pack, StrongArm M30/M50, 12 - 18 ft	MX3614	StrongArm M30, 12-18' arm
Pump Pack, StrongArm M30/M50, 20 - 24 ft	MX3613	StrongArm M30, 20-24' arm
Pump, Hand, Replacement Kit	MX002821	all
Quick Disconnect, Socket, 1/4 inch	MX000201	all powered models
Quick Disconnect, Socket, 1/8 inch	MX000169	all non-powered models
Reservoir, Hydraulic Fluid	MX002393	all
Valve Coil, Directional, 24VDC	MX000184	all
Valve, Brake	MX000657	all
Valve, Check, Endhead Main	MX000171	all
Valve, Directional with Manual	MX001257	all
Valve, Relief, 3000 PSI	MX000174	all



# StrongArm® M30/M50

## Hydraulic Panel

Motor, Electric, AC



Coupler, Motor, 5/8"

Breather Cap

Valve, Brake

Manifold, Brake, Open

Quick Disconnect, Socket

Valve Coil Directional

Valve, Directional

Reservoir

Valve, Relief

Gauge, Pressure

Valve, Check

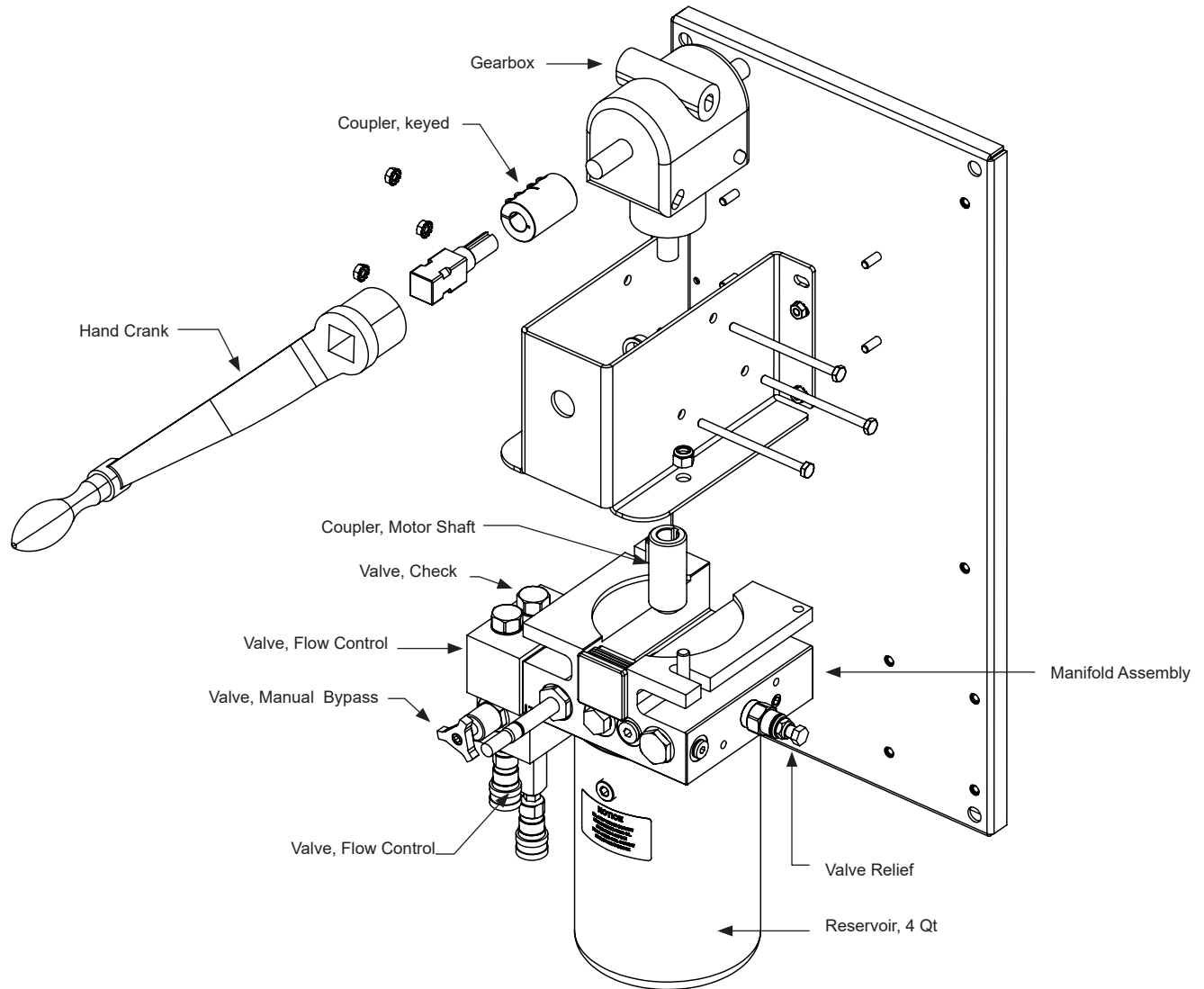
Pump, Hand

This drawing is a representation and should be used for parts reference only.

# StrongArm® M30/M50



## Hydraulic Panel for M30/M50 NP (no-power)



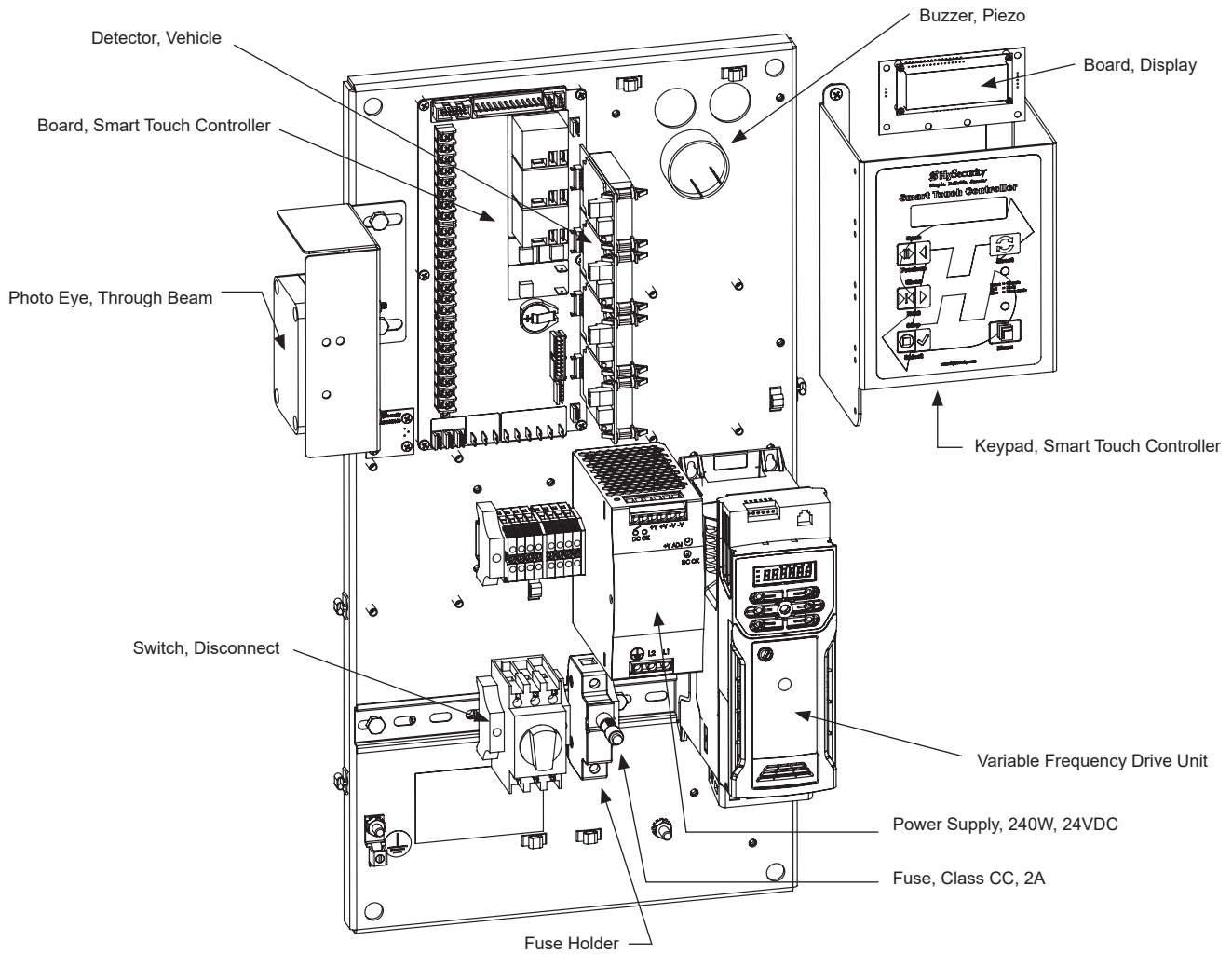
This drawing is a representation and should be used for parts reference only.

Part Name	Part Number	StrongArm M30/M50 (No-power models)
Coupler, 5/8 x 5/8 inch, Keyed	MX3692	all
Coupler, Motor, 5/8 inch Shaft, 6T, New	MX002054	all
Gearbox, 3:1, Bevel, Right Angle	MX3684	all
Hand Crank, 10 inch L Square Drive	MX3691	all
Manifold Assembly, NP (No Power)	MX3689	NP
Pump Pack, Biodegradable, StrongArm M30/M50 NP, 12 - 18 ft	MX3688-02	NP
Pump Pack, Biodegradable, StrongArm M30/M50 NP, 20 - 24 ft	MX3688-01	NP
Pump Pack, StrongArm M30/M50 NP, 12 - 18 ft	MX3687-02	NP
Pump Pack, StrongArm M30/M50 NP, 20 - 24 ft	MX3687-01	NP
Reservoir, 4 Qt	MX000161	all
Valve, Check, Manifold	MX000352	all
Valve, Flow Control	MX001258	all
Valve, Manual Bypass	MX001255	all
Valve, Relief, 3000 PSI	MX000174	all



# StrongArm® M30/M50

## AC Electrical Panel



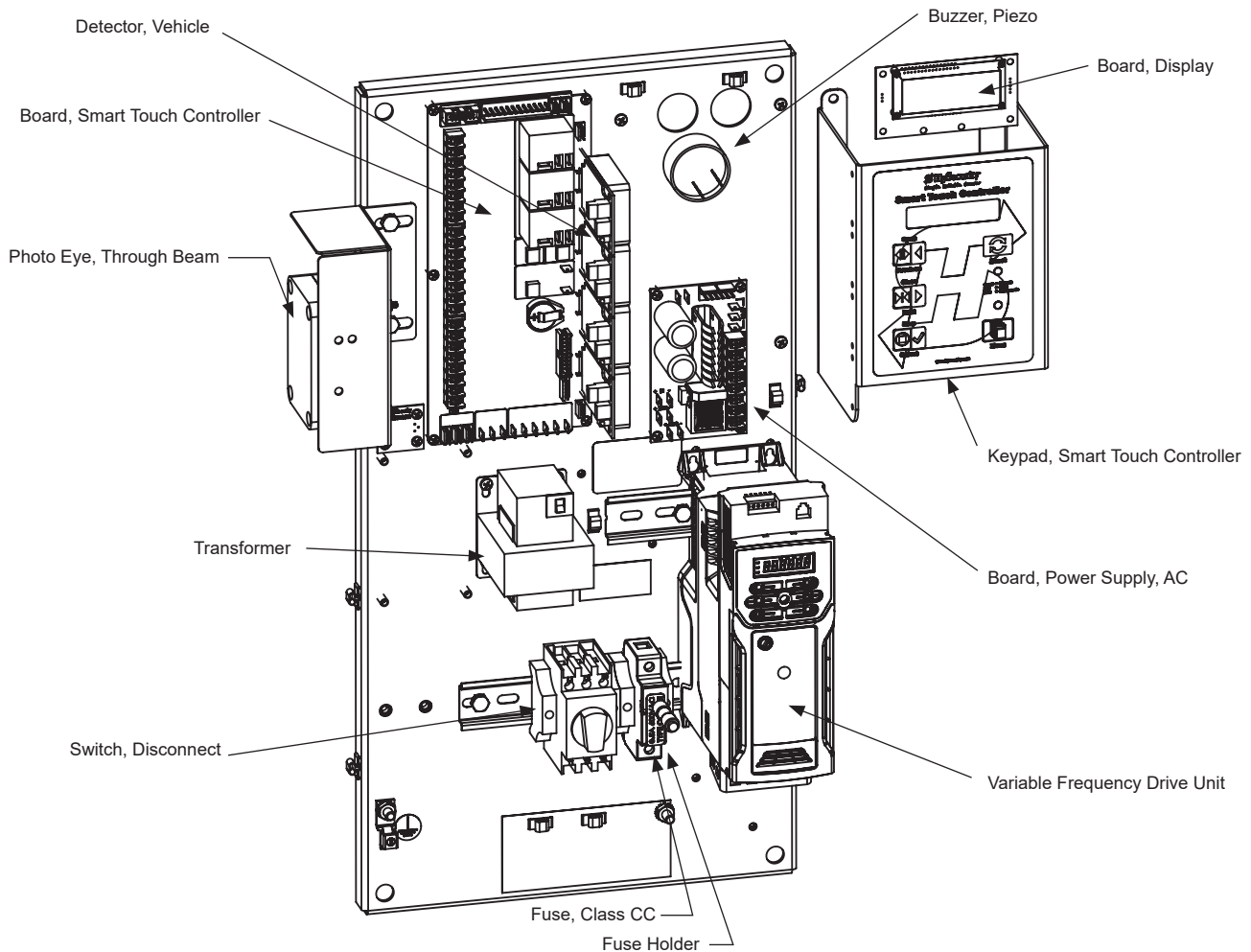
This drawing is a representation and should be used for parts reference only. Updated panel 6/28/2019.

Part Name	Part Number	StrongArm M30/M50 effective 6/28/2019
Board, Display	MX3356	all
Board, Smart Touch Controller	MX000585-0	all
Buzzer, Piezo	MX001036	all
Detector, Vehicle, Hy5B™	MX4621	all
Filter, StrongArm CE, 240V/220V	MX4384	all CE models
Filter, StrongArm CE, 480V/380V	MX4385	all CE models
Fuse Holder, Class CC	MX002670	all
Fuse, Class CC, 2A	MX3339	all
Keypad, Smart Touch Controller	MX3399	all
Photo Eye Kit, Through Beam, 65 ft, 24VDC	MX3990	all
Power Supply, 240W, 24VDC	MX4660	all
Switch, Disconnect, AC	MX002835	all
Variable Frequency Drive Unit (VFD), Modbus, 208-230VAC, 50/60Hz, 1Ø/3Ø	MX4210	all 208,220,230VAC 50/60Hz input
Variable Frequency Drive Unit (VFD), Modbus, 380-460VAC, 50/60Hz, 3Ø	MX4211	all 380,460VAC 50/60Hz input

# StrongArm® M30/M50



AC Electrical Panel for operators manufactured prior to 6/28/2019



This drawing is a representation and should be used for parts reference only.

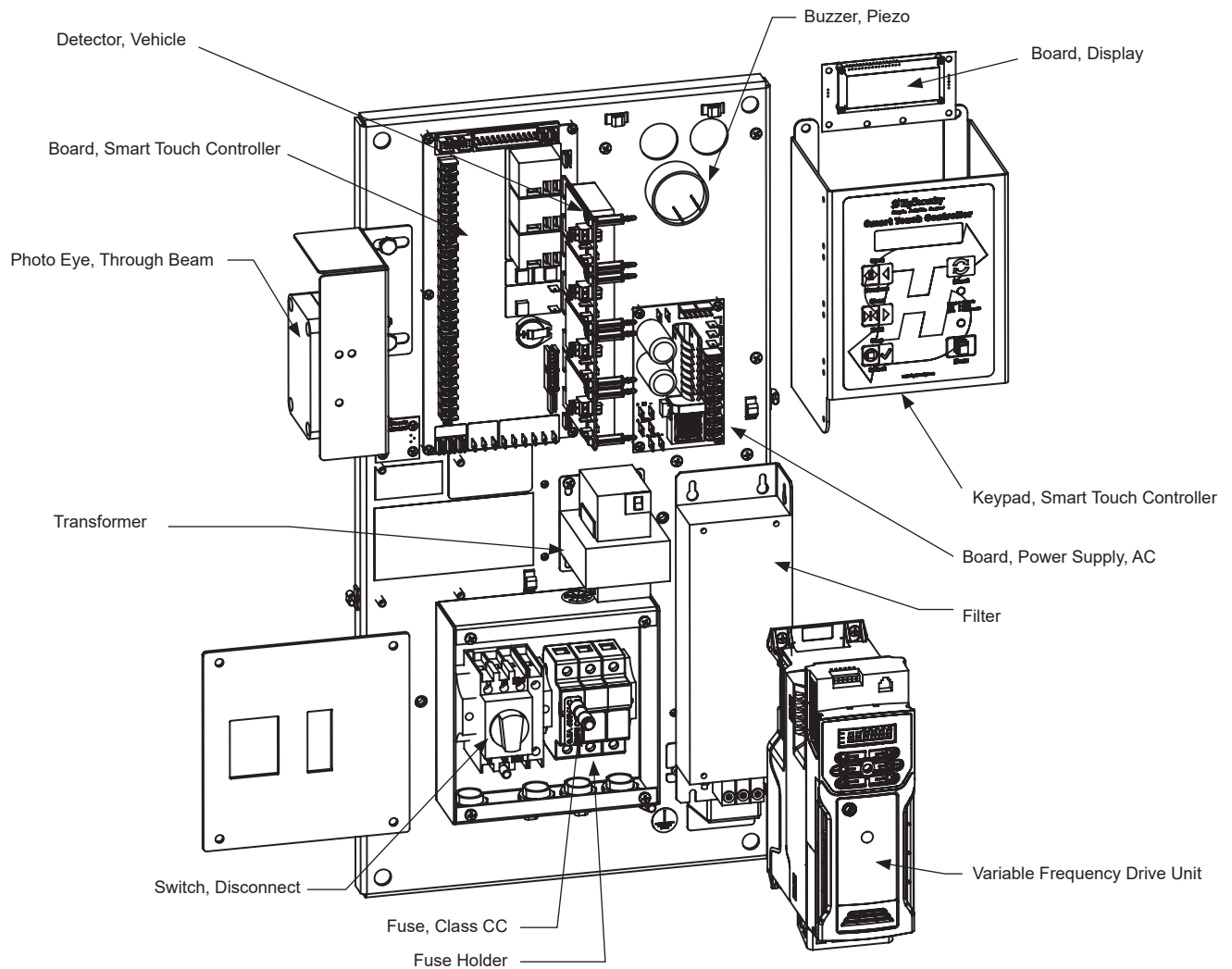
Part Name	Part Number	StrongArm M30/M50 manufactured prior to 6/28/2019
Board, Display	MX3356	all
Board, Power Supply, AC	MX000487	all
Board, Smart Touch Controller	MX000585-0	all
Buzzer, Piezo	MX001036	all
Detector, Vehicle, Hy5B™	MX4621	all
Fuse Holder, Class CC	MX002670	all
Fuse, Class CC, .5A	MX002672	all
Keypad, Smart Touch Controller	MX3399	all
Photo Eye Kit, Through Beam, 65 ft, 24VDC	MX3990	all
Switch, Disconnect, AC	MX002835	all
Transformer, 24VAC Output, 75VA, 60Hz	MX000486	all
Variable Frequency Drive Unit (VFD), Modbus, 208-230VAC, 50/60Hz, 1Ø/3Ø	MX4210	all 208,220,230VAC 50/60Hz input
Variable Frequency Drive Unit (VFD), Modbus, 380-460VAC, 50/60Hz, 3Ø	MX4211	all 380,460VAC 50/60Hz input





# StrongArm® M30/M50

## CE Electrical Panel



This drawing is a representation and should be used for parts reference only.

Part Name	Part Number	StrongArm M30/M50 CE Models
Board, Display	MX3356	all
Board, Power Supply, AC	MX000487	all
Board, Smart Touch Controller	MX000585-0	all
Buzzer, Piezo	MX001036	all
Detector, Vehicle, Hy5B™	MX4621	all
Filter, StrongArm CE, 240V/220V	MX4384	all CE models
Filter, StrongArm CE, 480V/380V	MX4385	all CE models
Fuse Holder, Class CC	MX002670	all
Fuse, Class CC, .5A	MX002672	all
Keypad, Smart Touch Controller	MX3399	all
Photo Eye Kit, Through Beam, 65 ft, 24VDC	MX3990	all
Switch, Disconnect, AC	MX002835	all
Transformer, 24VAC Output, 75VA, 60Hz	MX000486	all
Variable Frequency Drive Unit (VFD), Modbus, 208-230VAC, 50/60Hz, 1Ø/3Ø	MX4210	all 208,220,230VAC 50/60Hz input
Variable Frequency Drive Unit (VFD), Modbus, 380-460VAC, 50/60Hz, 3Ø	MX4211	all 380,460VAC 50/60Hz input