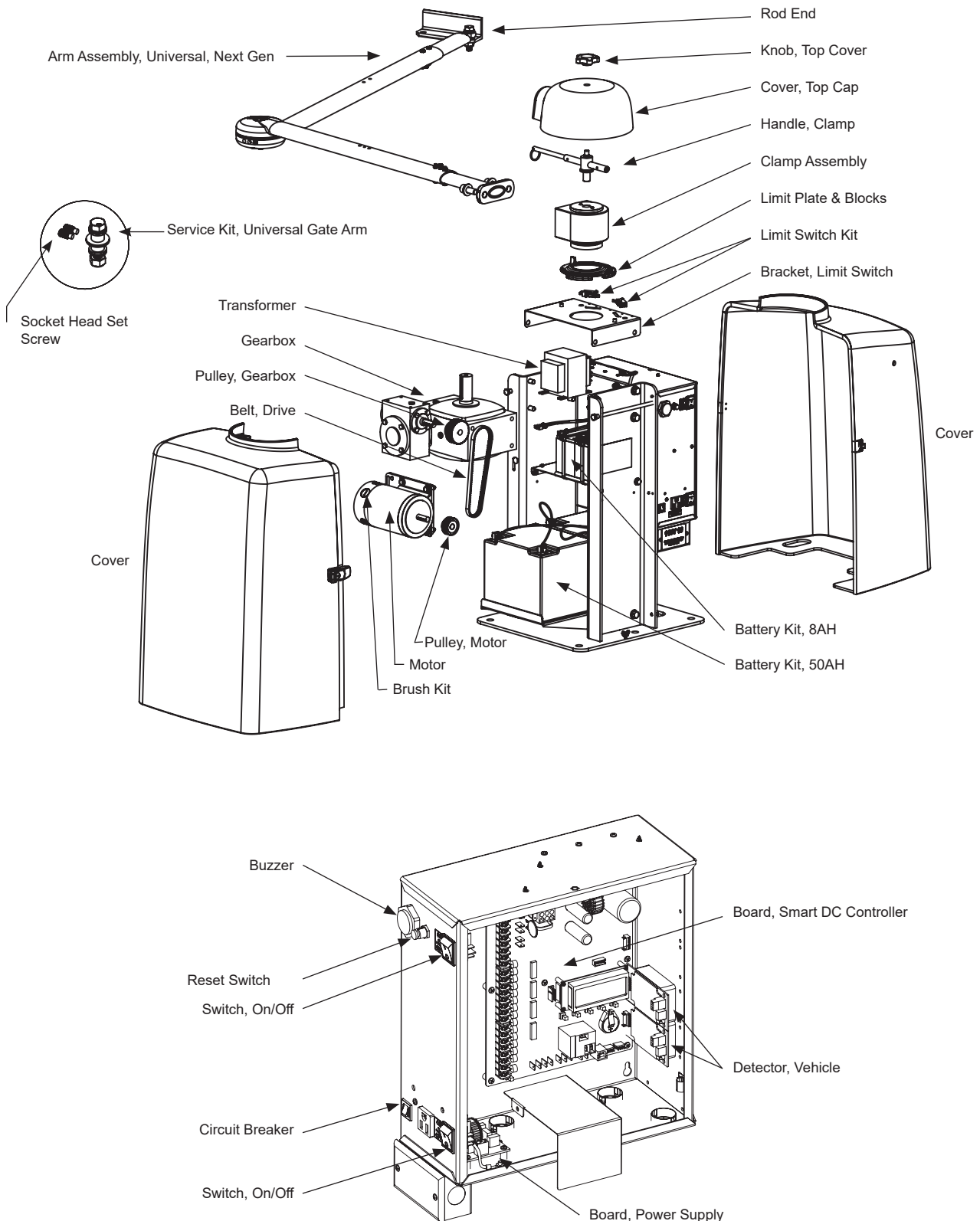




SwingSmart™ DC

Part Diagrams

Chassis, Mechanical & Electrical



This drawing is a representation and should be used for parts reference only.

SwingSmart™ DC

Part Diagrams



Chassis, Mechanical & Electrical

Part Name	Part Number	SwingSmart DC Models
Arm Assembly, Dual Pivot	MX002011	all
Arm Assembly, Universal, Next Gen	MX4005	all
Battery Kit, 50Ah, Replacement	MX002013	all
Battery Kit, 8Ah, Replacement	MX002008	all
Belt, Drive	MX001744	all
Board, Power Supply, 115/230VAC	MX001766	all
Board, Smart DC Controller	MX3037-0	all
Bracket, Limit Switch	MX001658	all
Brush Kit, 24VDC Motor, Smart DC	MX001920	all
Buzzer, Piezo	MX001036	all
Circuit Breaker, 15A	MX001760	Solar only
Circuit Breaker, 5A	MX3796	AC only
Clamp Assembly, Taper	MX001743	all
Cover, 3-Piece	MX001926	all
Cover, Top Cap	MX001746	all
Detector, Vehicle, Hy5B™	MX4621	all
Gearbox, SwingSmart DC	MX002005	all
Handle, Clamp, Replacement Kit	MX001933	all
Knob, Top Cap	MX001703	all
Limit Plate and Blocks Assembly	MX001745	all
Limit Switch Kit	MX002006	all
Motor, Electric, 24VDC	MX001395	all
Pulley, Gearbox, 36T, 15mm	MX001404	all
Pulley, Motor, 24T, 9 mm	MX001403	all
Reset Switch, Internal	MX002124	all
Rod End, Ball Joint, Male	MX001695	for MX002818 arms only
Service Kit, Universal Gate Arm	MX4535	all
Socket Head Set Screw	MX3890	all
Switch, On/Off	MX001761	all
Transformer, 115/208-230VAC	MX002798	AC only