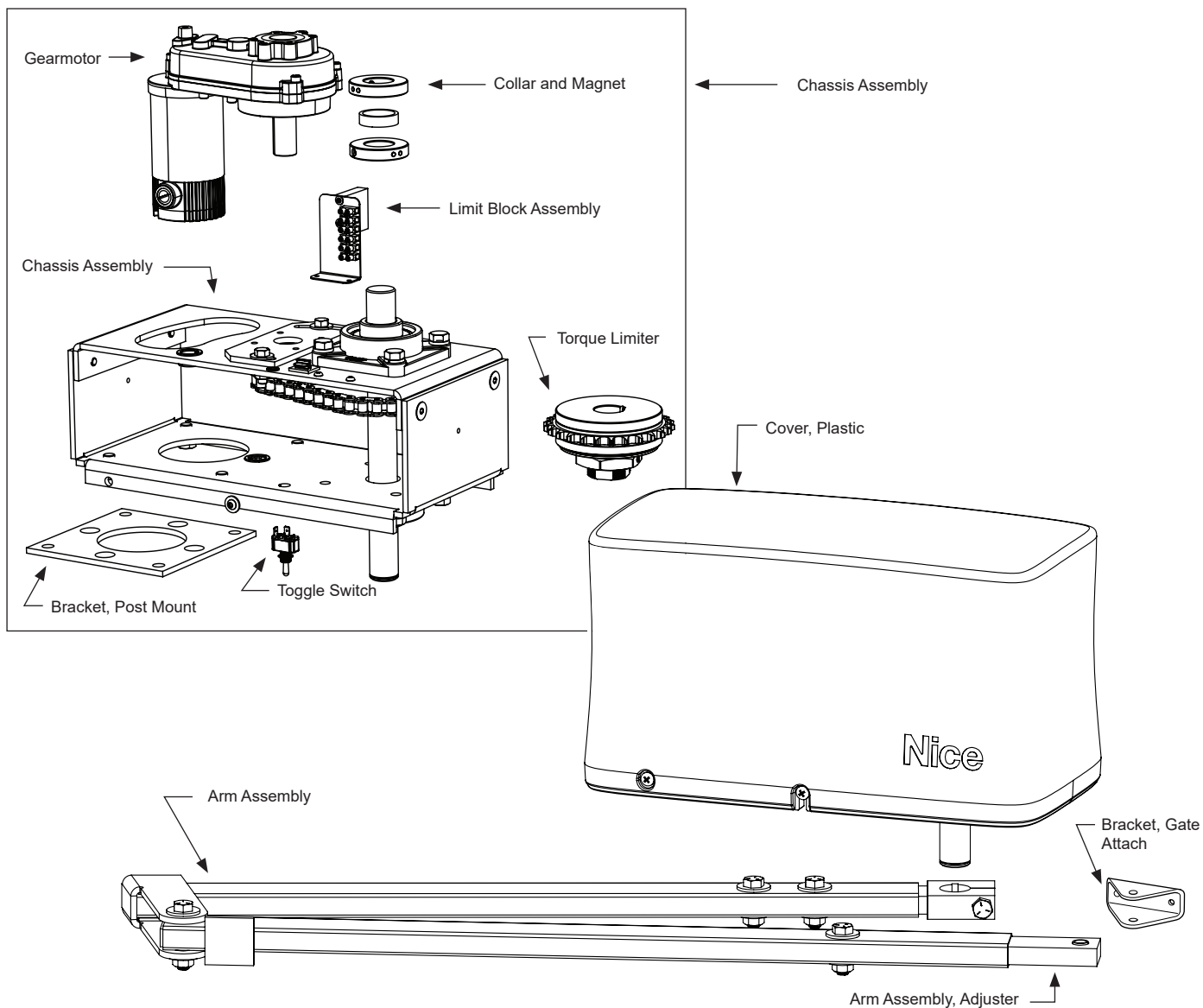


Vanguard 3501 Swing

Part Diagrams

CHBOX350 Motor Chassis and ABOX35 Arm Assembly

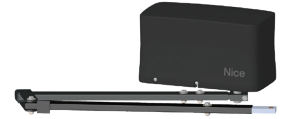


This drawing is a representation and should be used for parts reference only.

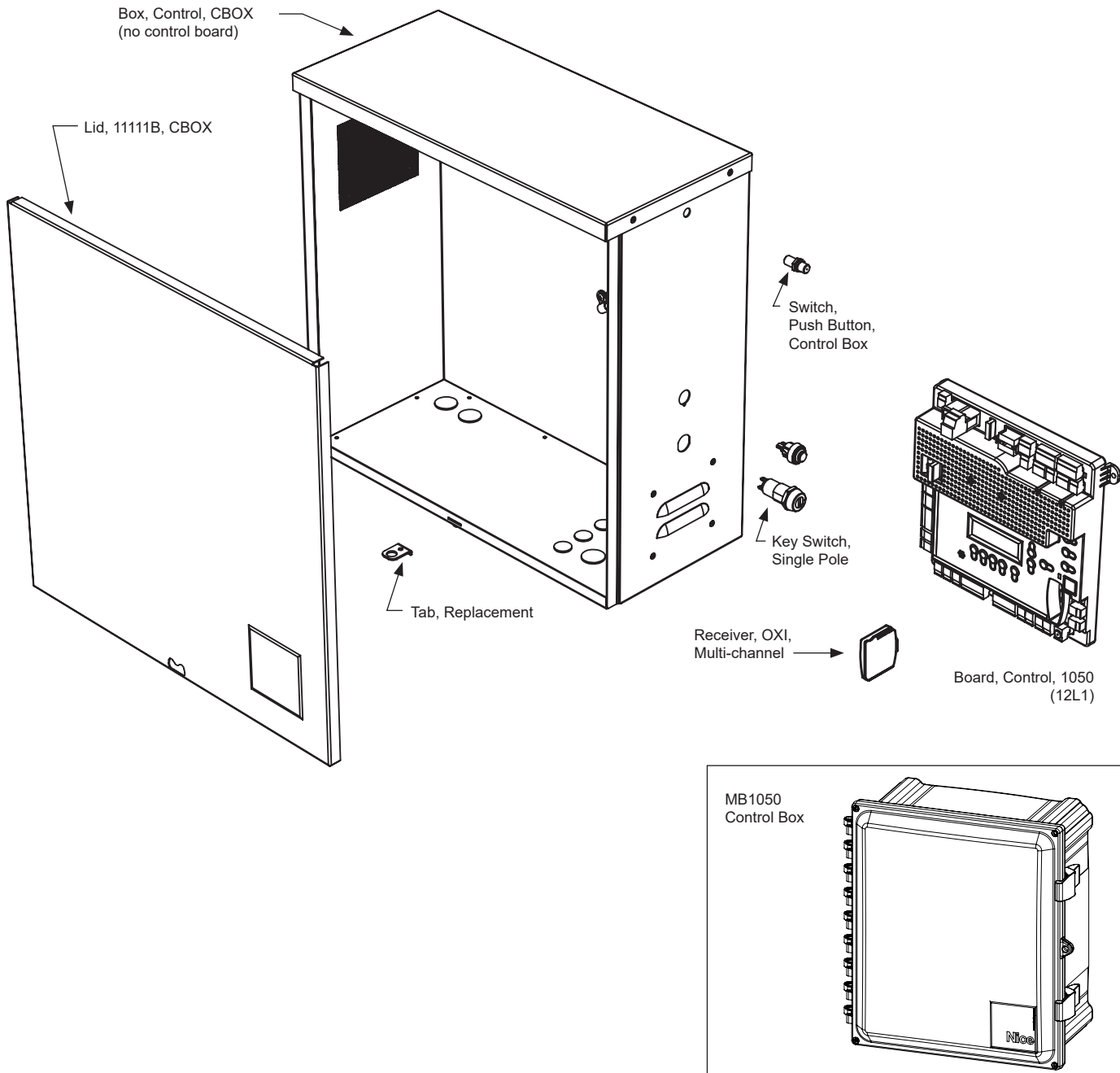
Part Name	Part Number	Vanguard 3501 Model
Arm Assembly	ABOX35	all
Arm Assembly, Adjuster	10021790	all
Bracket, Gate Attach Kit	10021290	all
Bracket, Post Mount	10038315	all
Chassis Assembly, 3501	CHBOX35	all
Collar and Magnet	10021490	all
Cover, Plastic	MX4774	all
Cover, Vanguard 3501, Retro-Fit Kit		all
Gearmotor	73090005	all
Limit Block Assembly	10058890	all
Toggle Switch	10024290	all
Torque Limiter	10040690	all

Vanguard 3501 Swing

Part Diagrams



CBOX with Control Board and MB1050 Control Box



This drawing is a representation and should be used for parts reference only.

Part Name	Part Number	CBOX1050, MB1050
Board, Control, 1050	1050US	all
Box, Control, MB1050	O-MB1050	MB1050
Keyswitch, Single Pole	1115	11111C, CBOX
Lid, 11111C, SBOX	10026215	11111C, CBOX, SBOX
Receiver, OXI, Multi Channel	OXIBD/A	all
Switch, Push Button, Control Box	1119	11111C, CBOX
Tab, Replacement	10024290	11111B, 11111C, CBOX