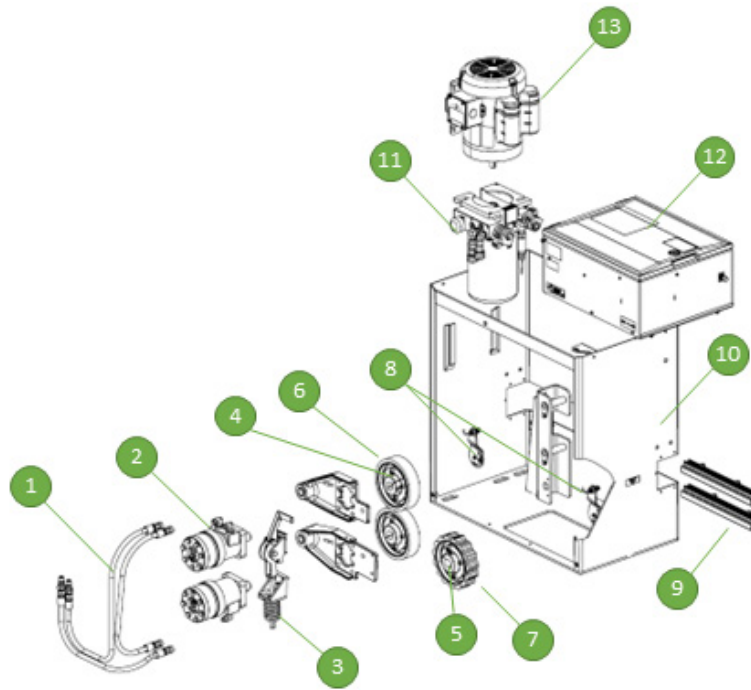




SlideDriver II

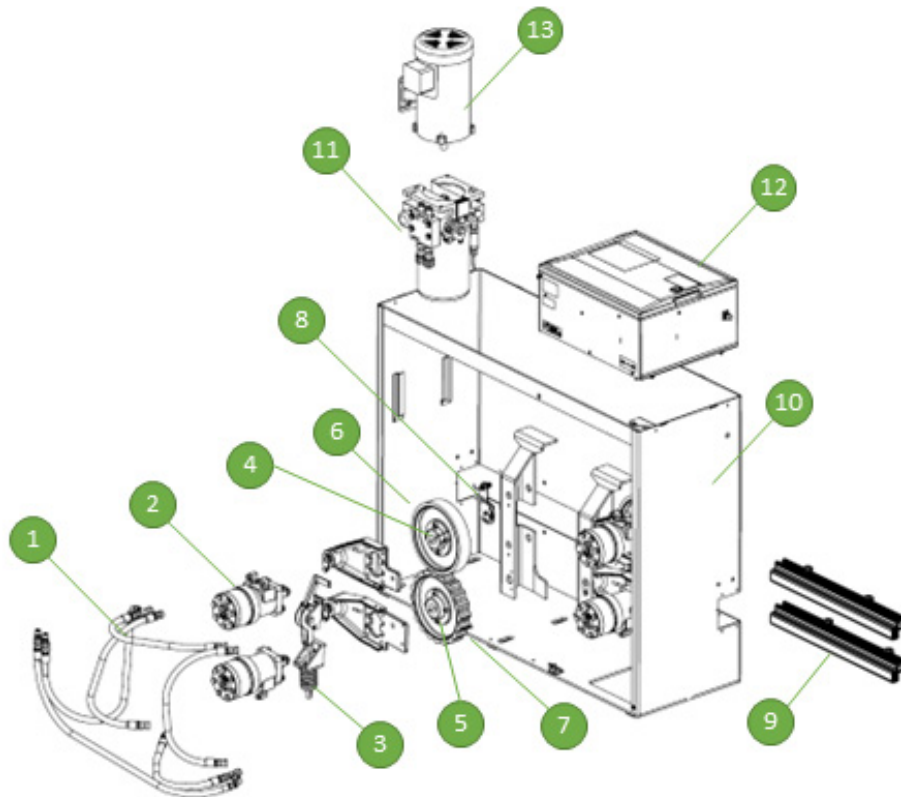


This drawing is a representation and should be used for parts reference only.

NO	PART NUMBER	DESCRIPTION	SD15	SD40	SD50F	SD80V
1	MX5503	Hose Kit, 3/8 inch w/QD, 3 lengths	x	x	x	x
2	MX4752	Motor, Hydraulic, 10 inch	x	x	x	
	MX4849	Motor, Hydraulic, 24 inch				x
3	MX001103	Release, Manual, Toggle Assy	x	x	x	x
4	MX002707	6 inch diameter AdvanceDrive Wheel, hub, lug nuts, and mounting hardware.	x	x		
	MX3132	8 inch AdvanceDrive wheel kit, including hub, lug nuts, and mounting hardware.			x	x
5	MX5349	6 inch diameter XtremeDrive wheel kit, including hub, lug nuts, and attachment hardware	x	x		
	MX5350	8 inch XtremeDrive wheel kit, including hub, lug nuts, and attachment hardware.			x	x
6	MX4994	Wheel Kit, Replacement, 6 inch	x	x		
	MX5223	Wheel Kit, Replacement, 8 inch			x	x
7	MX5349	XtremeDrive Wheel, 6 inch	x	x		
	MX5352	XtremeDrive Wheel, 8 inch			x	x
8	MX5493	Limit Sensor Assy	x	x	x	x
9	MX5492	Limit Kit, Stop Indicator	x	x		x
	MX5491	Limit kit, SlideDriver II SD50F			x	
10	MX5533XX	Chassis, Replacement, SlideDriver II	x	x	x	x
11	MX5499	Pump Pack, SlideDriver II, SD15	x			
	MX5535	Pump Pack, SlideDriver II SD 40		x		
	MX5536	Pump Pack, SlideDriver II SD50F, SD80V			x	x
12	MX5504	Cover, Electrical Enclosure	x	x	x	x
13		Motor, Electric				See parts list



SlideDriver II Chassis and drive components, SD200V

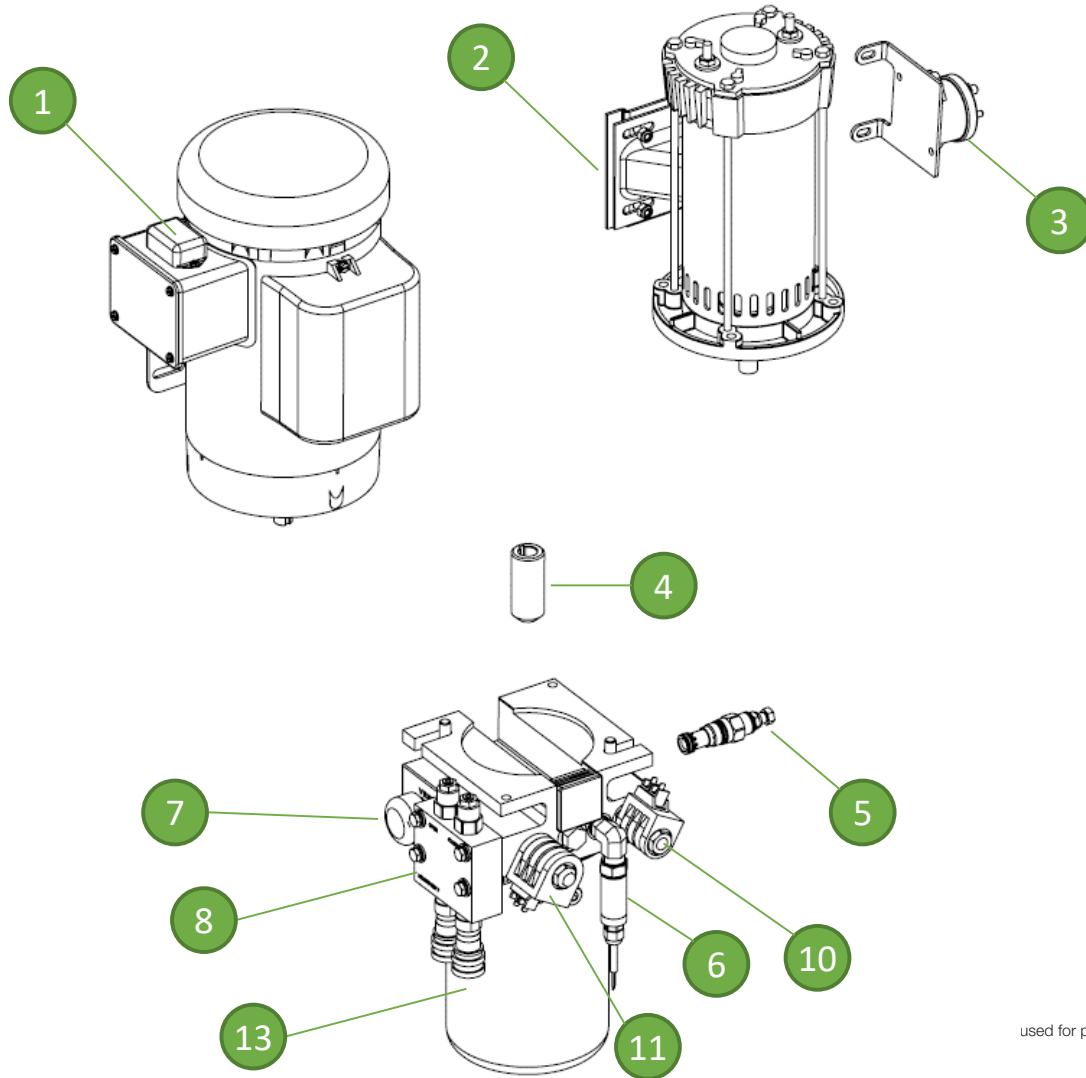


This drawing is a representation and should be used for parts reference only.

NO	PART NUMBER	DESCRIPTION	SD200V
1	MX4578	Hose Kit Replacement	x
2	MX4848	Motor, Hydraulic, 12 inch	x
3	MX001103	Release, Manual, Toggle Assy	x
4	MX3132	8 inch AdvanceDrive wheel kit, including hub, lug nuts, and mounting hardware.	x
5	MX5350	8 inch XtremeDrive wheel kit, including hub, lug nuts, and attachment hardware.	x
6	MX5223	Wheel Kit, Replacement, 8 inch	x
7	MX5352	XtremeDrive Wheel, 8 inch	x
8	MX5493	Limit Sensor Assy	x
9	MX5492	Limit Kit, Stop Indicator	x
10	MX5532XX	Chassis, Replacement, SlideDriver II	x
11	MX5536	Pump Pack, SlideDriver II	x
12	MX5504	Cover, Electrical Enclosure	x
13	See Part List	Motor, Electric	See parts list



SlideDriver II Motor and Pump Pack

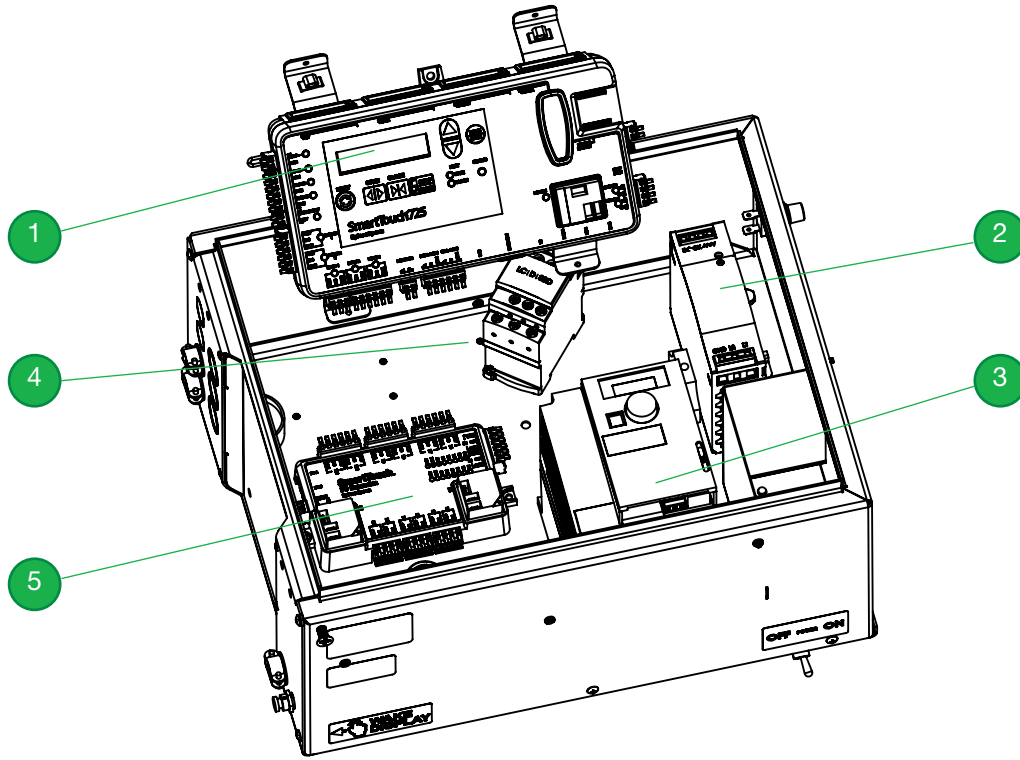


used for parts reference only.

NO	PART NUMBER	DESCRIPTION	SD15	SD40	SD50F	SD80V	SD200V
1	See Part List	Motor, Electric (AC)			See Part List		
2	See Part List	Motor, Electric (DC)			See Part List		
3	MX519202	Contactora, Solenoid, 24VDC (SD40 DC)		x			
4	MX002054	Coupler, 5/8 inch shaft, 6T	x	x	x	x	x
5	MX000174	Valve, Relief, 3000PSI	x	x	x	x	x
6	MX5502	Transducer, Pressure, 3000 PSI	x	x	x	x	x
7	MX000686	Breather Cap	x	x	x	x	x
8	MX000143	Brake Kit		x	x	x	x
10	MX5246	Valve, Unloader Kit	x	x			
11	MX5245	Valve, Directional Kit	x	x	x	x	x
13	MX000161	Reservoir, 4 Qt	x	x	x	x	x



SlideDriver II Electrical components, all models



This drawing is a representation and should be used for parts reference only.

NO	PART NUMBER	DESCRIPTION	SD15	SD40	SD50F	SD80V	SD200V
1	MX5626	SmartTouch 725 Controller	x	x	x	x	x
	MX5552	SmartTouch 720 Controller		*	*	*	*
2	MX4097	Power Supply, 120W 24VDC (SD15 and SD40 3Φ, All VFD)	x	x	x	x	x
	MX5106	Power Supply, 120W, 24VDC (1Φ input power)	x	x			
3		VFD. See parts list for models and voltages			x	x	x
4	MX4105	Contactora, AC Motor	x	x	*	*	*
5	MX5306	I/O Expansion Module	x	x	Option	Option	Option

* This part is included with installed options for heaters, solenoid rail locks, or corrections upgrades.