

# SLIDEDRIVER II SNOW BRUSH AND SCRAPER

The snow brush and snow scraper kits help keep ice and snow buildup at a minimum along the drive rail of the SlideDriver II gate operators.

Note: The snow brush and snow scraper kits can be ordered together or separately. These instructions explain the installation process for both.

## PARTS

- Snow brushes and/or snow scrapers

## HARDWARE

- 1/4-20 x 3/4 hex head cap screw
- 1/4 in flat washer
- 1/4-20 lock nut
- 8-32 x 1/2 self-tapping screw

## TOOLS

- Phillips-head screwdriver
- Wrench

## INSTALL THE SNOW BRUSHES

1. Loosen the screws that secure the cover to the SlideDriver II chassis and remove the cover.
2. Set the power switch to OFF.
3. Slide the snow brushes into place and secure them using the fasteners provided. The aluminum flange should be inside the operator (Figure 3 and Figure 6).
4. Set the power switch to ON.
5. Test the gate operator.
6. Carefully replace the cover and secure it to the chassis.

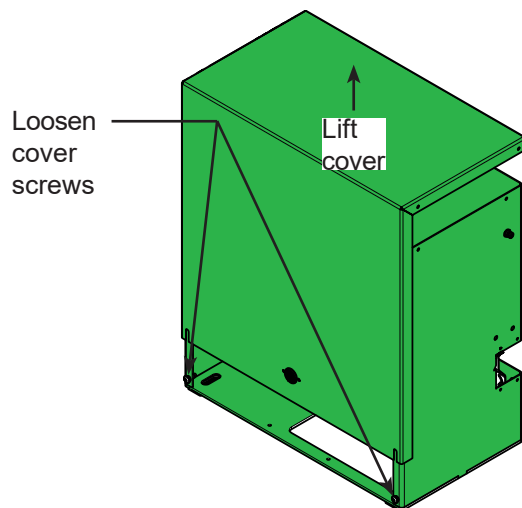


Figure 1. Remove the Cover

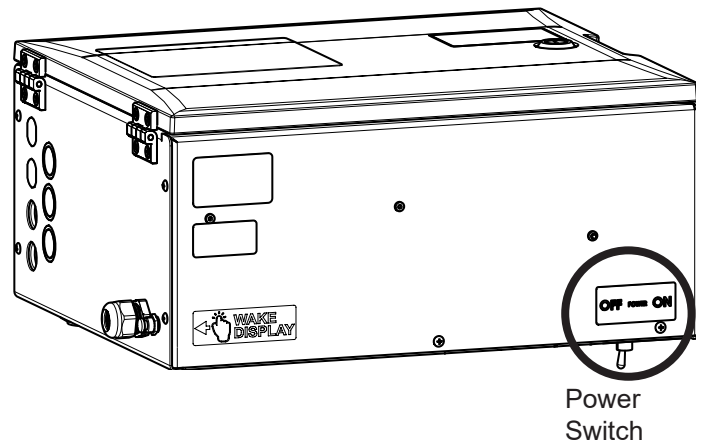


Figure 2. Set Power Switch to OFF

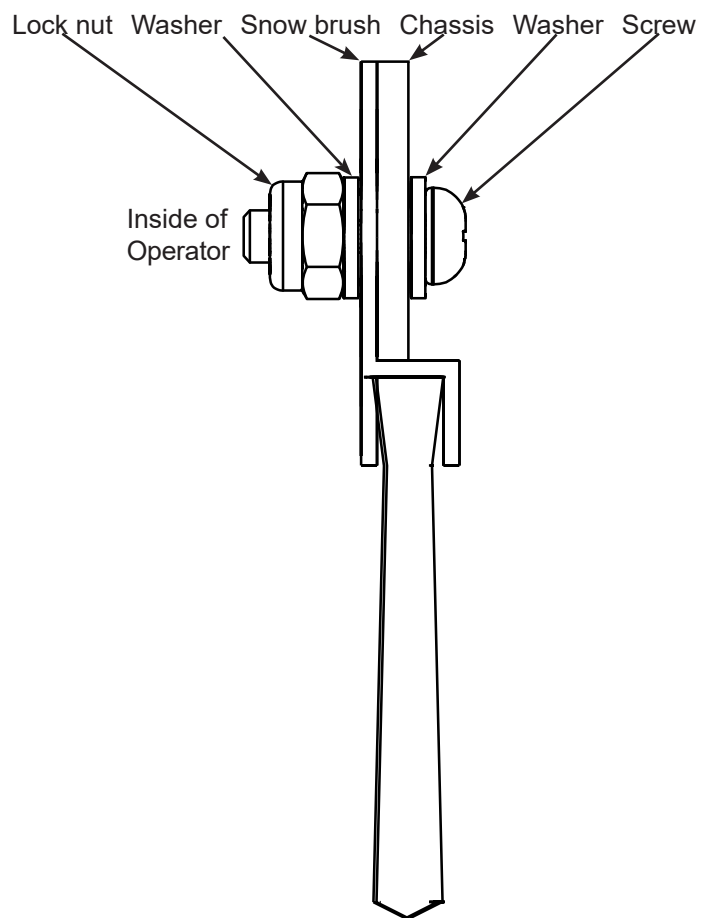


Figure 3. Fasten Snow Brushes

# SLIDEDRIVER II SNOW BRUSH AND SCRAPER

## INSTALL THE SNOW SCRAPERS

1. Follow steps 1 through 3 of Install the Snow Brushes.
2. Take note of the orientation of the right and left snow scrapers. Slide the brackets into place and adjust them so the scraper rests about  $\frac{1}{8}$  in above the drive rail. Secure the bracket using the fasteners provided (Figure 4 and Figure 6).
3. Install the snow scraper blades on top of the snow scraper brackets with the self-tapping screws (Figure 5).
4. Follow steps 4 through 6 of Install the Snow Brushes.

Screw Washer Snow Scraper Chassis Washer Lock nut

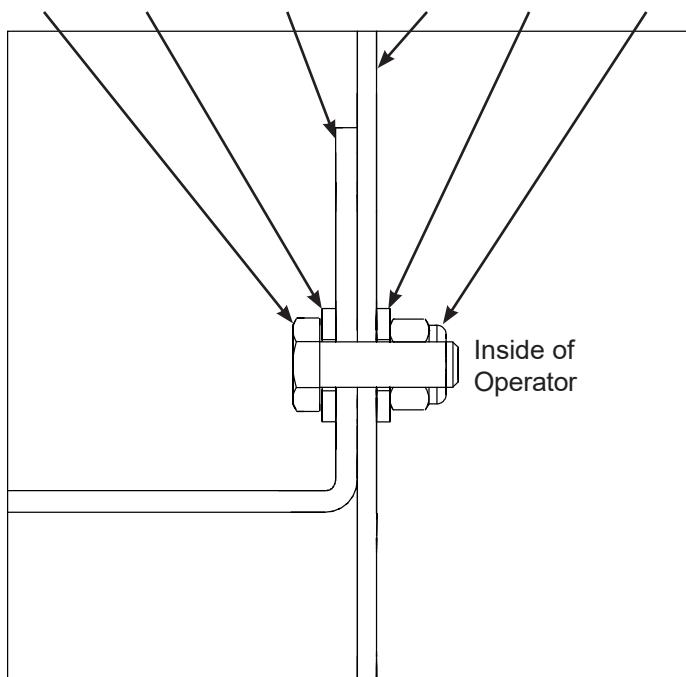


Figure 4. Snow Scraper Bracket Fasteners

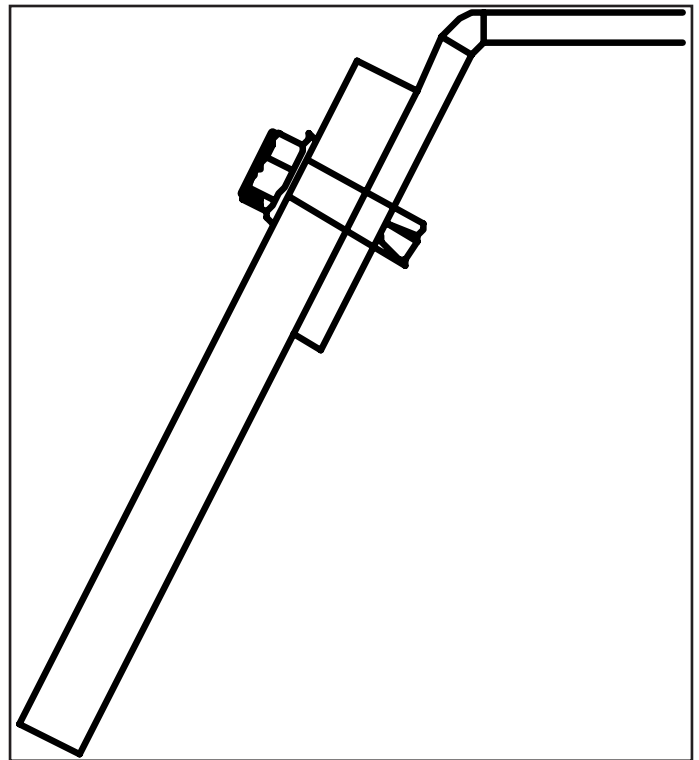


Figure 5. Snow Scraper Self-Tapping Screw

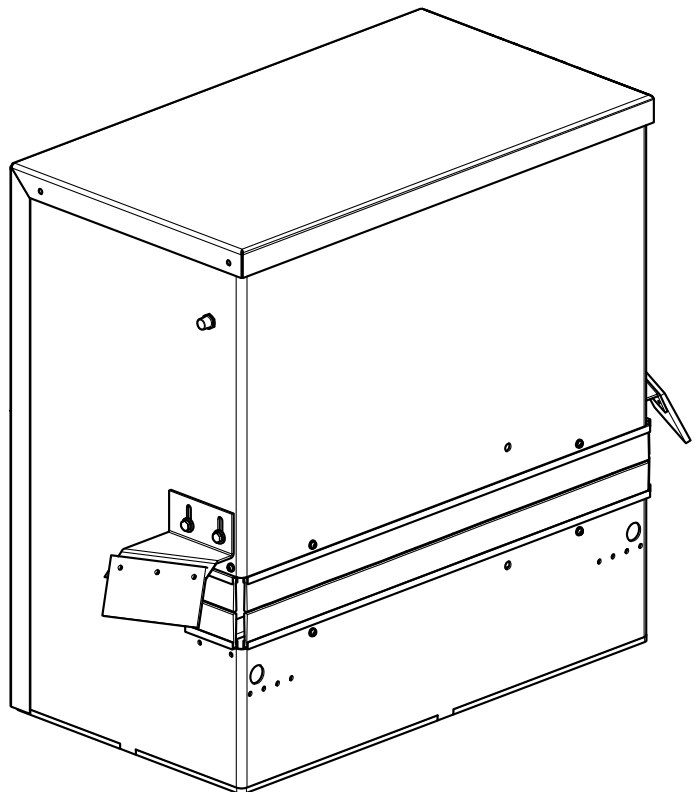


Figure 6. Complete Snow Brush and Scraper Installation