

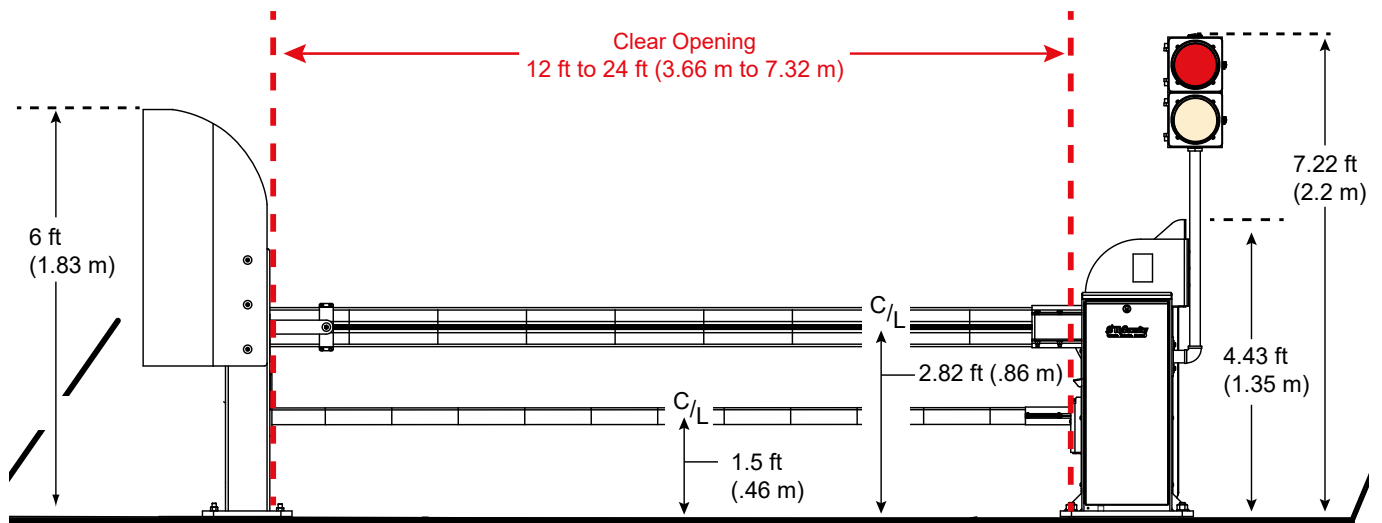
StrongArm® Operator Order Form

To process your StrongArm M30 or StrongArm M50 order, it is a HySecurity requirement that you fill out all the customer information fields on this order form and sign all the necessary applications and agreements.

Only one order form is required when ordering multiple, identical StrongArm operators.

<input type="text"/>	<input type="text"/>	
Date	Purchase Order #	
<input type="text"/>	<input type="text"/>	<input type="text"/>
Job Name	Job Site City	State
<input type="text"/>	<input type="text"/>	
Distributor/Dealer	Person Completing This Form	
<input type="text"/>	<input type="text"/>	
Ship to Contact Name	Ship to Contact Phone	

Model	<input type="text"/>	
Voltage and Phase	<input type="text"/>	
Pivot Posts, Catch Posts and Panel Covers	<input type="text"/>	RAL# <input type="text"/>
Clear Opening	<input type="text"/>	Qty <input type="text"/>
If Anchor and Templates Kit advanced	Upon request, HySecurity will ship these components in advance to prepare the site for the gate installation. Ship in advance Ship with gate.	



* Note: Barrier Arm adjust to +2 ft (61 cm) to the shipping container.

** Note: Custom Lengths available in 1 ft increments up to maximum 24 ft. Longer lead times will apply. Please call Sales for details.

Spare Arms

Upper Arms Qty _____

Lower Arms Qty _____

Upper and Lower Arms Qty _____

Options

Pivot Post Heater	Qty _____	Radio Receiver: Single Channel Open	Qty _____
Catch Post Heater ***	Qty _____	Maglock	Qty _____
Pivot and Catch Post Heater ***	Qty _____	ExtremeCycle	Qty _____
Biodegradable Fluid	Qty _____	Additional Traffic Lights**	Qty _____
AC Power Supply w/HyInverter AC 208-230 VAC, single phase, 60/50Hz switch selectable			Qty _____

* Note: Recommended. To prevent downed operators in the field.

** Note: One traffic light is included. Standard color is red/yellow.

*** Note: Installing a wired transmitter requires a separate run of conduit for low voltage wires. Heaters require separate high voltage conduit between pivot; catch post.

It is the responsibility of the HySecurity Distributor/Dealer to verify that the information on this order form is accurate. As stated in the Global Sales Agreement, custom orders are non-returnable.

For internal use only

Prior to processing the order, all of the following requirements must be met:

Dealer Requirements:

Fortified Crash Barrier Dealer Application

Certificate of Attendance: HySecurity Tech Training

Fortified Crash Barrier Dealer Credit Application

Certificate of Attendance: HySecurity Fortified Crash Barrier Technical Installation Training

Global Sales Agreement

Or HySecurity On-Site Training for First Installation Agreement

Maintains \$2 million of liability insurance coverage and a security bond of \$50,000 minimum

Sales Order #

Date Shipped

Signature

Date