



Technical Bulletin

New 6" and 8" XtremeDrive Wheels

OPERATORS: SlideDriver™ operator models using 6" or 8" XtremeDrive™ wheels

DATE: 12/07/2022

SUBJECT: New 6" and 8" XtremeDrive wheels

SUBJECT DESCRIPTION: The 6" and 8" XtremeDrive wheels in SlideDriver models have been replaced with new wheels (and wheel hub) that now mechanically match the updated AdvanceDrive wheel assemblies.

IMPACT: Mechanical conformity with AdvanceDrive Wheels and simpler disassembly during maintenance.

Figures 1 and 2 (below) show the differences between old and new XtremeDrive wheel assemblies. The only difference between the 6" and 8" XtremeDrive versions is wheel diameter. Follow numbered callouts to install.

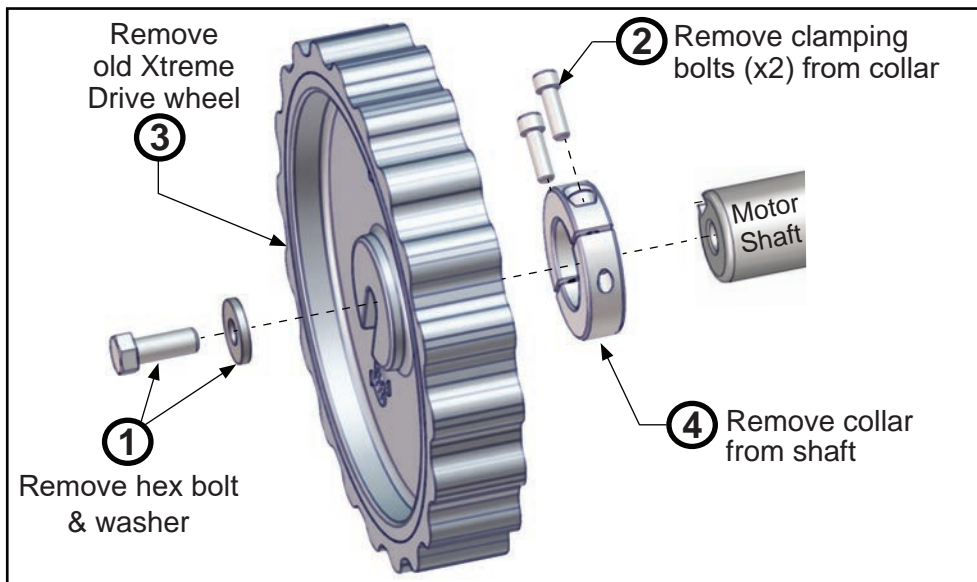


Figure 1: OLD XtremeDrive Wheel Disassembly

PART NUMBERS

New 6"/8" wheel kits with or without a wheel hub may be ordered using the part numbers below:

NEW WHEEL & HUB KIT:

- 6" Kit = P/N MX5349
- 8" Kit = P/N MX5350

Kit Contents:

- Wheel hub
- Hub hardware: hex bolt, washer, clamping bolt, shaft key, 4x wheel hub bolts
- New wheel
- New lug nuts (x4)

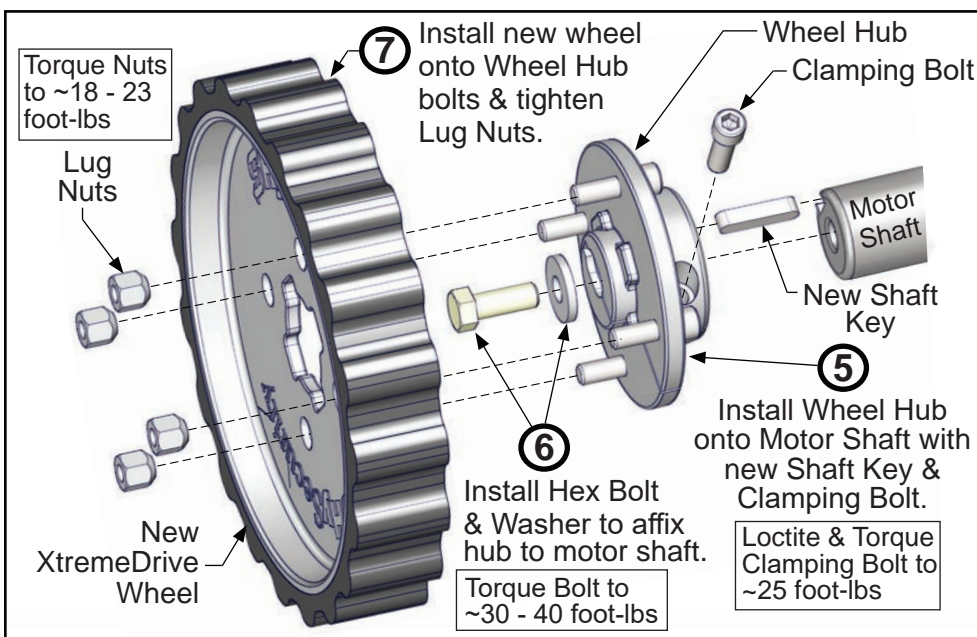


Figure 2: NEW XtremeDrive Wheel Assembly

NEW WHEEL ONLY KIT:

- 6" = P/N MX5351
- 8" = P/N MX5352

Kit Contents:

- New wheel
- New lug nuts (x4)

NEW LUG NUTS ONLY KIT:

- 6" and 8": P/N MX4993

Kit Contents

- New lug nuts, 82 Deg, 5/16-24 (x4)

Contact Information: Visit <https://support.hysecurity.com/hc/en-us> for installation manuals, replacement part instructions, part diagrams and more. For the name of a qualified distributor near you, call HySecurity at 800-321-9947. *Before contacting your distributor or HySecurity Technical Support, obtain the serial number of your operator.